

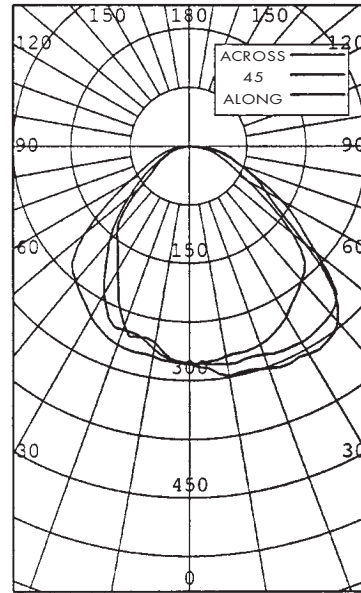


Williams Catalog # 3SF-23-3Q20T3-C73T  
Test Report #14730, Dated 5/4/00

Lamp Type: 20T3Q/CL  
Lamp Quantity: 3

**CANDLEPOWER DISTRIBUTION**

VERT. ANG.	HORIZONTAL ANGLE			ZONAL LUMENS
	0	45	90	
0	279.	279.	279.	
5	277.	280.	286.	14
10	273.	283.	299.	
15	273.	281.	296.	40
20	270.	284.	302.	
25	262.	289.	307.	65
30	251.	290.	307.	
35	237.	286.	305.	87
40	224.	280.	294.	
45	210.	264.	260.	95
50	174.	212.	195.	
55	126.	172.	141.	71
60	86.	138.	114.	
65	62.	99.	93.	44
70	47.	71.	71.	
75	35.	54.	57.	27
80	24.	38.	42.	
85	12.	21.	23.	10
90	0.	0.	0.	



**LUMEN SUMMARY**

ZONE	LUMENS	% LAMP	% FIXTURE
0 - 30	222.	23.19	29.77
0 - 40	369.	38.47	49.40
0 - 60	627.	65.36	83.93
0 - 90	747.	77.88	100.00
40 - 90	378.	39.40	50.60
60 - 90	120.	12.51	16.07
90 - 180	0.	.00	.00
0 - 180	747.	77.88	100.00

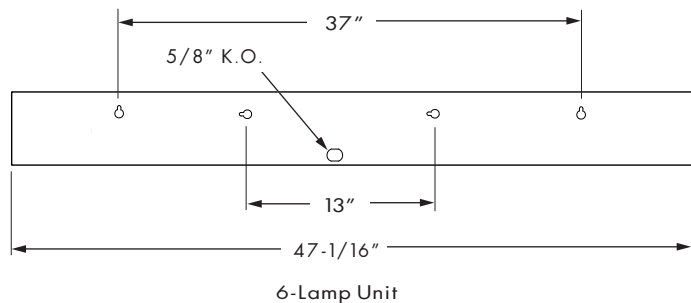
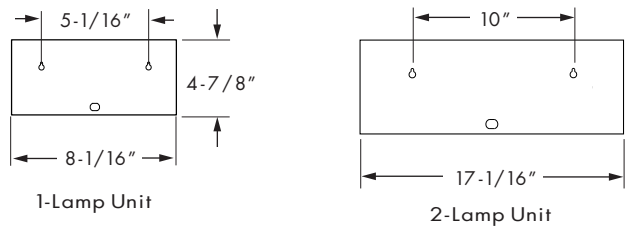
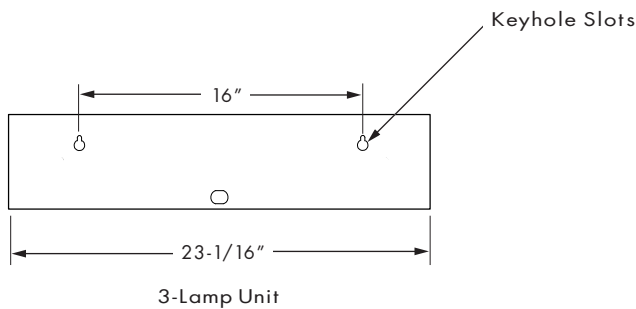
**ZONAL CAVITY COEFFICIENTS**

EFFECTIVE FLOOR CAVITY REFL. = .20

CEILING WALL RCR	.80			.70			.50		
	.70	.50	.30	.70	.50	.30	.50	.30	.10
0	.93	.93	.93	.91	.91	.91	.87	.87	.87
1	.86	.82	.79	.84	.81	.78	.77	.75	.73
2	.79	.74	.69	.77	.72	.68	.69	.66	.63
3	.73	.66	.60	.71	.64	.59	.62	.58	.54
4	.68	.59	.53	.66	.58	.53	.56	.51	.48
5	.62	.53	.47	.61	.52	.46	.51	.46	.42
6	.58	.48	.42	.56	.47	.41	.46	.41	.36
7	.53	.43	.37	.52	.42	.36	.41	.36	.32
8	.49	.39	.33	.48	.38	.32	.37	.32	.28
9	.46	.36	.29	.44	.35	.29	.34	.29	.25
10	.42	.32	.26	.41	.32	.26	.31	.26	.22

**TOTAL LUMINAIRE OPTICAL EFFICIENCY = 77.9 %**

**MOUNTING**



H. E. WILLIAMS, INC.