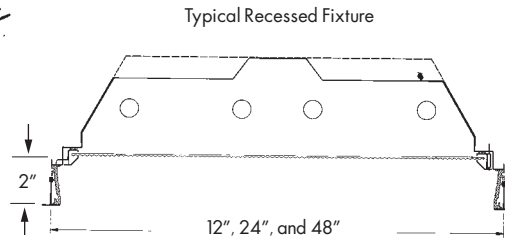
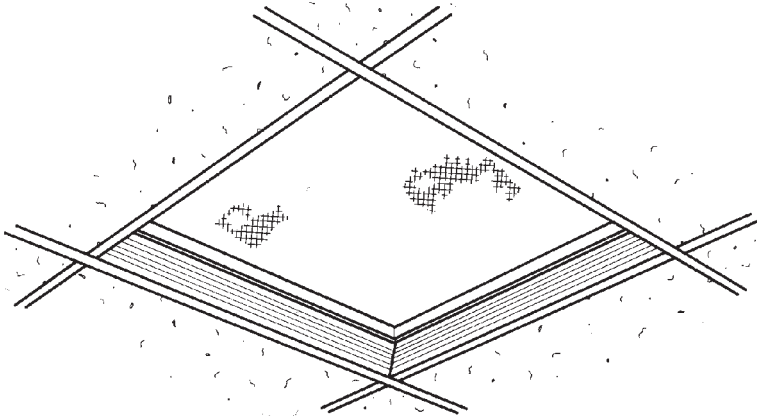


GRID RISER FOR RECESSED TROFFERS

SERIES **2GR**

JOB _____
TYPE _____



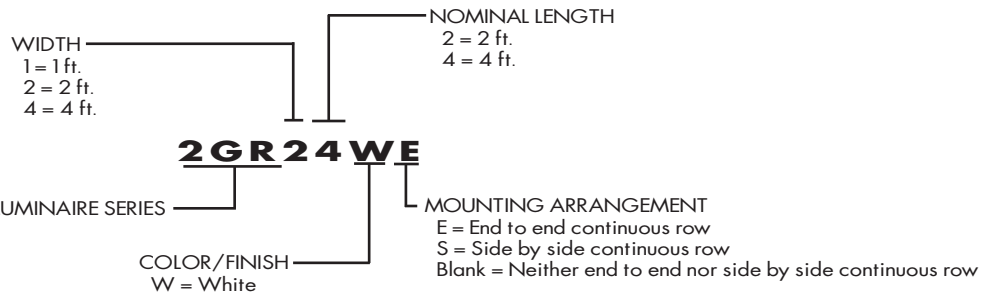
SPECIFICATIONS

- CONSTRUCTION – extruded aluminum with mitered corners fastened together with 8 screws (2/corner)
- FINISH – baked white enamel
- MOUNTING – mount in NEMA “G” type ceiling

FEATURES

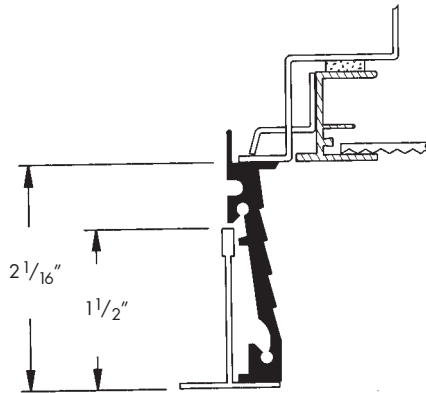
- Ships fully assembled for easy installation
- Heavy duty aluminum extrusion safely elevates grid troffer ceiling structure
- Compatible with all Williams recessed troffer and many competitor products
- Elevated troffer provides “skylight” effect which increases the architectural appearance of any space

SUBMITTAL INFORMATION

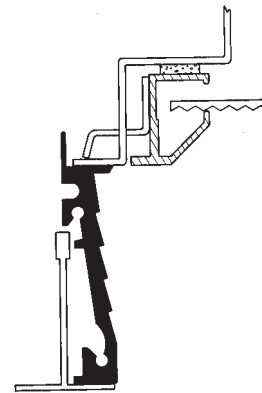


FLUORESCENT LIGHTING

STATIC DOOR FRAME

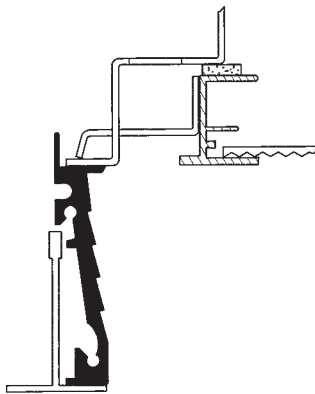


FLAT TYPE

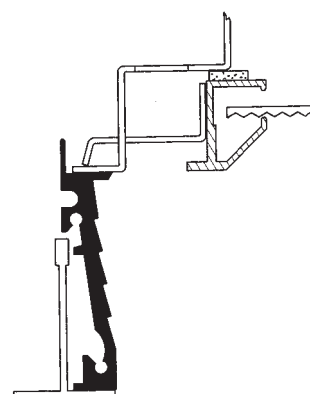


REGRESS TYPE

FLOATING DOOR FRAME



FLAT TYPE



REGRESS TYPE



H. E. WILLIAMS, INC.

H. E. Williams, Inc. • Carthage, Missouri • www.hewilliams.com • 417-358-4065 • Fax: 417-358-6015

Information contained herein is subject to change without notice.

JP43629 8/00