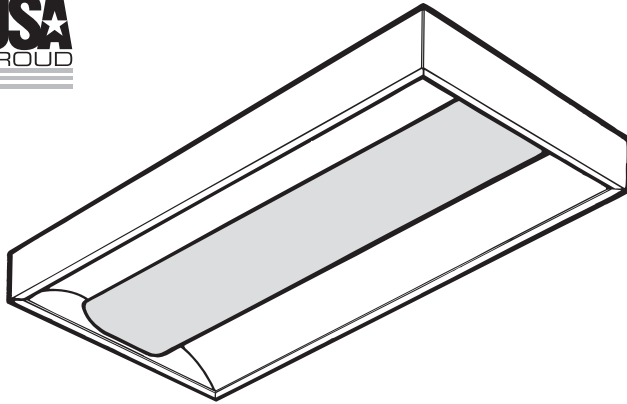
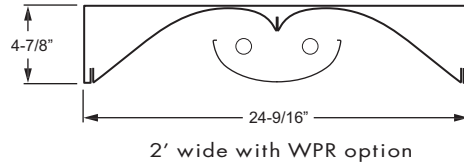
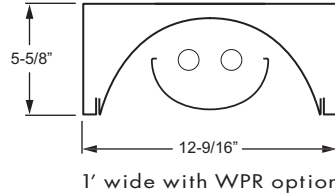


# SURFACE MOUNT **DIRECT/INDIRECT**

SERIES **DIS**  
 VOLTAGE TYPE JOB \_\_\_\_\_  
 \_\_\_\_\_  
 \_\_\_\_\_



Shown with WP diffuser



## SPECIFICATIONS

- HOUSING – 20-gauge die-formed C.R.S.
- SHIELDING – Choice of .125" frosted acrylic ribbed diffuser\* or die-formed C.R.S., 50% open perforation, white powder coated diffuser with matte white acrylic overlay.
- REFLECTOR – Precision die-formed C.R.S. with non-glare white polyester powder coated textured finish.
- FINISH – Highly-reflective textured matte white powder coat with multi-stage iron/phosphate prepared metal.
- ELECTRICAL – Electronic ballast standard, instant start T8, programmed start T5, rated Class P.
- LABELS – UL/CUL listed as fluorescent luminaire suitable for dry or damp locations.
- MOUNTING – Surface, stem and canopy, or suspended.

## FEATURES

- Improved efficiency with new acrylic diffuser\* option.
- 4-7/8" deep surface mount fixture provides sleek, low profile appearance (2' wide fixture).
- Lamps shielded from direct view by decorative perforated or frosted acrylic\* diffuser.
- Highly-reflective textured matte white paint for increased efficiency.
- Uniform luminous effect provided by matte white overlay.
- Textured white powder coated reflectors and end plates provide soft, uniform illumination.
- Steel lamp retaining clips standard—no plastic clip breakage.
- Ballast accessible from room side of fixture.
- Optional anti-microbial powder coating available to prevent the spread of dangerous micro-organisms and suppress the growth of mold and bacteria.
- All parts painted after fabrication to facilitate installation, increase efficiency, and inhibit corrosion.
- This fixture is proudly made in the USA.

## ORDERING INFORMATION

Submittal

EXAMPLE: **DIS** - **2** **4** - **2** **32** - **WPR** - **OPTIONS** - **EB2** - **UNV**

| SERIES                                 |                               |
|--|-------------------------------|
| DIS                                    | Surface Mount Direct/Indirect |
| NOMINAL WIDTH                          |                               |
| 1                                      | 1'                            |
| 2                                      | 2'                            |
| NOMINAL LENGTH                         |                               |
| 2                                      | 2'                            |
| 4                                      | 4'                            |
| TOTAL LAMPS (1' wide fixture)          |                               |
| 1, 2, or 4 (1 or 2 lamp cross-section) |                               |
| TOTAL LAMPS (2' wide fixture)          |                               |
| 1, 2, or 3 (2' length)                 |                               |
| 1, 2, 3, or 4                          |                               |

Note: For more options/accessories, ballast combinations, and product details, please consult factory.

| LAMP WATTAGE/TYPE |  |
|-------------------|--|
| 14T5S             | 2', 14-watt T5                           |
| 17                | 2', 17-watt T8                           |
| 24T5H             | 2', 24-watt T5HO                         |
| 28T5S             | 4', 28-watt T5                           |
| 32                | 4', 32-watt T8                           |
| 40TT**            | 2', 40-watt long twin tube               |
| 50TT**            | 2', 50-watt long twin tube               |
| 54T5H             | 4', 54-watt T5HO                         |
| 55TT**            | 2', 55-watt long twin tube               |
| SHIELDING         |  |
| AD*               | Acrylic Diffuser                         |
| WP*               | White Perforated flat diffuser           |
| WPR               | White Perforated Round diffuser          |
| WPRL*             | White Perforated w/Round Louver diffuser |
| WPASL             | White Perforated w/Aluminum Solid Louver |
| WPR/SPLIT*        | White Perforated Round w/Split diffuser  |

| OPTIONS      |  |     |            |
|--------------|--|-----|------------|
| AMW          | Anti-microbial White finish                |     |            |
| BALLAST TYPE |  |     |            |
| EB1          | 1-lamp electronic ballast                  |     |            |
| EB2          | 2-lamp electronic ballast                  |     |            |
| EB3          | 3-lamp electronic ballast                  |     |            |
| EB4          | 4-lamp electronic ballast                  |     |            |
| EB2/1        | (1) 2-lamp & (1) 1-lamp electronic ballast |     |            |
| EB2/2        | (2) 2-lamp electronic ballasts             |     |            |
| EB3/1        | (1) 3-lamp & (1) 1-lamp electronic ballast |     |            |
| VOLTAGE      |  |     |            |
| 120          | 120V                                       | UNV | 120 - 277V |
| 277          | 277V                                       | 347 | 347V       |

- \* Not available in 1' wide fixtures.
- \*\* Only available in 1, 2 & 4 lamp fixtures.



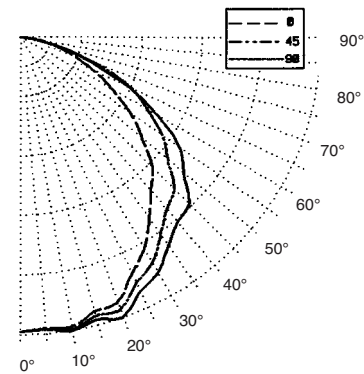
FLUORESCENT LIGHTING

Williams Catalog #DIS-24-232-WPR-EB2-120  
 Test Report #10330.0, Dated 6/25/99

Lamp Type: F32T8/835/RS  
 Lamp Quantity: 2

### CANDLEPOWER DISTRIBUTION

| VERT. ANG. | HORIZONTAL ANGLE |       |       | ZONAL LUMENS |
|------------|------------------|-------|-------|--------------|
|            | 0                | 45    | 90    |              |
| 0          | 1327.            | 1327. | 1327. |              |
| 5          | 1315.            | 1316. | 1321. | 125.7        |
| 15         | 1276.            | 1297. | 1316. | 367.4        |
| 25         | 1173.            | 1221. | 1263. | 564.7        |
| 35         | 1000.            | 1087. | 1147. | 678.7        |
| 45         | 829.             | 967.  | 1060. | 741.2        |
| 55         | 596.             | 770.  | 862.  | 675.3        |
| 65         | 360.             | 542.  | 531.  | 489.7        |
| 75         | 171.             | 195.  | 217.  | 222.7        |
| 85         | 22.              | 28.   | 22.   | 28.6         |
| 90         | 0.               | 0.    | 0.    |              |



### LUMEN SUMMARY

| ZONE                   | LUMENS | % LAMP | % FIXTURE |
|------------------------|--------|--------|-----------|
| 0 - 30                 | 1058.  | 17.9   | 27.2      |
| 0 - 40                 | 1737.  | 29.4   | 44.6      |
| 0 - 60                 | 3153.  | 53.4   | 81.0      |
| 0 - 90                 | 3894.  | 66.0   | 100.0     |
| 90 - 120               | 0.     | 0.     | 0.        |
| 90 - 130               | 0.     | 0.     | 0.        |
| 90 - 150               | 0.     | 0.     | 0.        |
| 90 - 180               | 0.     | 0.     | 0.        |
| <b>Total Luminaire</b> |        |        |           |
| 0-180                  | 3894.  | 57.9   | 100.0     |

### ZONAL CAVITY COEFFICIENTS

EFFECTIVE FLOOR CAVITY REFL. = .20

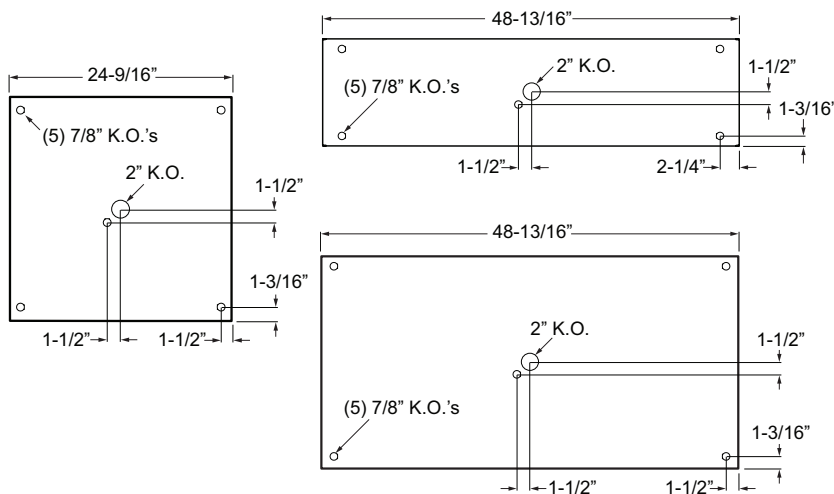
| CEILING | .80      |     |     | .70 |     |     | .50 |     |     |     |
|---------|----------|-----|-----|-----|-----|-----|-----|-----|-----|-----|
|         | WALL RCR | .70 | .50 | .30 | .70 | .50 | .30 | .50 | .30 | .10 |
| 0       |          | .79 | .79 | .79 | .77 | .77 | .77 | .73 | .73 | .73 |
| 1       |          | .73 | .70 | .67 | .71 | .68 | .66 | .66 | .64 | .62 |
| 2       |          | .67 | .62 | .57 | .65 | .60 | .57 | .58 | .55 | .52 |
| 3       |          | .61 | .55 | .50 | .60 | .54 | .49 | .52 | .48 | .44 |
| 4       |          | .56 | .48 | .43 | .55 | .48 | .42 | .46 | .42 | .38 |
| 5       |          | .51 | .43 | .37 | .50 | .42 | .37 | .41 | .36 | .32 |
| 6       |          | .47 | .38 | .32 | .46 | .38 | .32 | .36 | .31 | .28 |
| 7       |          | .43 | .34 | .28 | .42 | .34 | .28 | .33 | .28 | .24 |
| 8       |          | .40 | .31 | .25 | .39 | .30 | .25 | .29 | .24 | .21 |
| 9       |          | .36 | .27 | .22 | .35 | .27 | .22 | .26 | .21 | .18 |
| 10      |          | .34 | .25 | .19 | .33 | .24 | .19 | .24 | .19 | .16 |

### TOTAL LUMINAIRE

OPTICAL EFFICIENCY = 66%

SPACING CRITERIA: ACROSS=1.2 ALONG=1.3

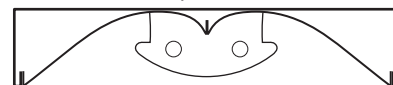
### BACK VIEW



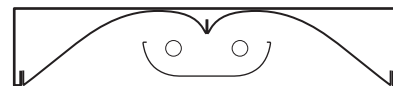
### SHIELDING OPTIONS (2x2, 2x4)

Six (6) shielding options available. DIS 1x4 available in WPR and WPASL only.

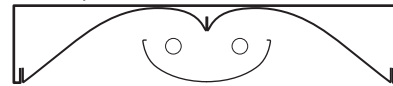
AD (Acrylic Diffuser)



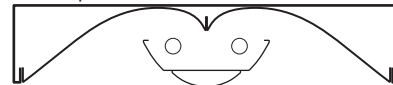
WP (perforated flat bottom diffuser)



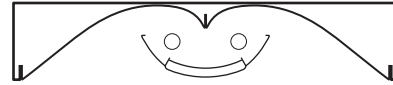
WPR (perforated round bottom diffuser)



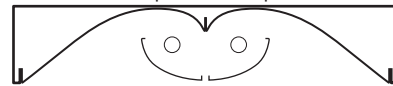
WPRL (perforated w/round louver diffuser)



WPASL (perforated w/solid louver bottom)



WPR/SPLIT (perforated split bottom)



H. E. WILLIAMS, INC.