

# DIRECT/INDIRECT RECESSED ASYMMETRIC

# DIA

**SUBMITTAL:**

**1' WIDE**

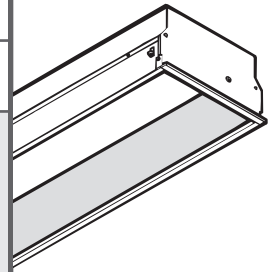
**JOB:**

**TYPE:**

**VOLTAGE:**

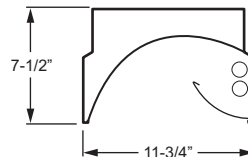
**EXAMPLE** → **DIA G - S 1 4 - 2 32 - WP - OPTIONS - EB2 - UNV**

SERIES    CEILING TYPE    FIX. STYLE    NOM. W.    NOM. L.    TOTAL LAMPS    WATTAGE/TYPE    SHIELDING    OPTIONS    BALLAST TYPE    VOLTAGE



## FEATURES

- ▶ Single side-mounted lamp provides soft, diffused asymmetric distribution, ideal for wall washing.
- ▶ Lamps are shielded from direct view by a decorative perforated diffuser.
- ▶ Matte white overlay and highly reflective non-glare white powder coated reflectors and end plates provide soft, uniform illumination and increased efficiency.
- ▶ Swing-down diffuser allows easy re-lamping.
- ▶ Ballast accessible from room side of fixture.
- ▶ This fixture is proudly made in the USA.



## SPECIFICATIONS

**Housing** – 22-gauge die-formed C.R.S.  
**Reflector** – Precision die-formed C.R.S. with highly reflective, non-glare matte white polyester powder coat.  
**Shielding** – Die-formed C.R.S., 50% open perforation, white powder coated diffuser with matte white acrylic overlay.  
**Finish** – 92% minimum average reflective white polyester powder coat bonded to phosphate-free, multi-stage pretreated metal. All parts painted after fabrication to facilitate installation, increase efficiency, and inhibit corrosion.  
**Electrical** – Electronic ballast standard, instant start T8, program start T5, rated Class P.  
**Mounting** – NEMA Type "G". For flange installations use the Drywall Kit (DFK), ordered separately, see Information section.  
**Labels** – UL/CUL listed as recessed fluorescent luminaire suitable for dry or damp locations.

## ORDERING INFORMATION

### SERIES

**DIA** Direct/Indirect Recessed Asymmetric

### CEILING TYPE

**G** NEMA Type "G"  
 For flange installations use the Drywall Kit (DFK), ordered separately, see Information section.

### FIXTURE STYLE

**S** Static, no air capability

### NOMINAL WIDTH

**1** 1'

### NOMINAL LENGTH

**2** 2'  
**4** 4'

### TOTAL LAMPS

**1 or 2**

### LAMP WATTAGE/TYPE

#### 2' LAMP OPTIONS

**14T5S** 2', 14-watt T5  
**17** 2', 17-watt T8  
**24T5H** 2', 24-watt T5HO  
**40TT** 2', 40-watt long twin tube  
**50TT** 2', 50-watt long twin tube  
**55TT** 2', 55-watt long twin tube

### LAMP WATTAGE/TYPE (Continued)

#### 4' LAMP OPTIONS

**28T5S** 4', 28-watt T5  
**32** 4', 32-watt T8  
**54T5H** 4', 54-watt T5HO

### SHIELDING

**WP** White perforated diffuser

### OPTIONS

For generic EM ballast options (must specify voltage), see Information section.

**EOCLIPS** Earthquake clips (4 per fixture)

### BALLAST TYPE

**EB1** 1-lamp electronic ballast  
**EB2** 2-lamp electronic ballast

### VOLTAGE

**120** 120V  
**277** 277V  
**UNV** 120-277V  
**347** 347V

1' WIDE

### PHOTOMETRY INFORMATION

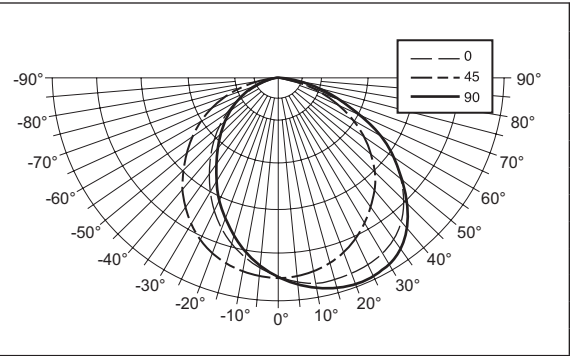
Catalog #: **DIAG-S14-232-WP**

#### TEST REPORT INFORMATION

- ▶ Test Report #: 14917.0
- ▶ Date: 08/03/00
- ▶ Lamp Type: F32T8
- ▶ Lamp Quantity: 2

#### CANDLEPOWER DISTRIBUTION

Vertical Angle	Horizontal Angle					Zonal Lumens
	0°	45°	90°	135°	180°	
0°	1117.	1117.	1117.	1117.	1117.	
5°	1119.	1150.	1167.	1077.	1065.	107.0
15°	1081.	1175.	1219.	970.	929.	302.0
25°	1007.	1162.	1227.	826.	766.	457.0
35°	896.	1104.	1170.	667.	608.	553.0
45°	756.	983.	1008.	509.	452.	570.0
55°	583.	774.	765.	353.	309.	501.0
65°	386.	500.	504.	218.	195.	364.0
75°	185.	227.	251.	112.	108.	193.0
85°	34.	36.	38.	45.	52.	49.0
90°	0.	0.	0.	0.	0.	



#### LUMEN SUMMARY

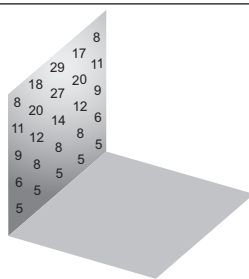
Zone	Lumens	% Lamp	% Fixture
0 - 30	865.	14.7	28.0
0 - 40	1419.	24.1	45.8
0 - 60	2489.	42.2	80.4
0 - 90	3096.	52.5	100.0
<b>Total Luminaire:</b>			
0 - 180	3096.	52.5	100.0
Total Luminaire Optical Efficiency: <b>52.5%</b>			

#### ZONAL CAVITY COEFFICIENTS

	Ceiling	.80			.70			.50		
	Wall	.70	.50	.30	.70	.50	.30	.50	.30	.10
Room Cavity Ratio	0	.62	.62	.62	.61	.61	.61	.58	.58	.58
	1	.58	.55	.53	.56	.54	.52	.52	.50	.49
	2	.53	.49	.46	.52	.48	.45	.46	.43	.41
	3	.48	.43	.39	.47	.42	.39	.41	.38	.35
	4	.44	.39	.34	.43	.38	.34	.37	.33	.30
	5	.41	.34	.30	.39	.34	.29	.32	.29	.26
	6	.37	.31	.26	.36	.30	.26	.29	.25	.22
	7	.34	.27	.23	.34	.27	.23	.26	.22	.20
	8	.32	.25	.20	.31	.24	.20	.24	.20	.17
	9	.29	.22	.18	.28	.22	.18	.21	.17	.15
	10	.27	.20	.16	.26	.20	.16	.19	.16	.13

Effective Floor Cavity Reflectance = .20

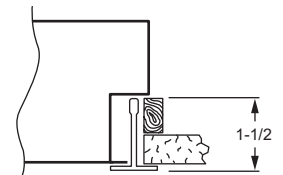
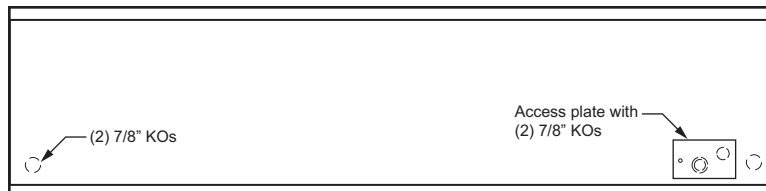
#### FOOTCANDLE ESTIMATOR



Footcandle calculations based on standard reflectance of 80/50/20 and a light loss factor of .85.

Fixture installed at 10' ceiling height in 12' x 12' room, 3' from wall, centered on ceiling.

#### BACKVIEW



When using the DFK with Williams DIA fixture, the structure surrounding the DFK is to extend no more than 1-1/2" from the bottom of the "T", as shown