

T8 INDUSTRIAL INDIRECT WALL

79W

SUBMITTAL:

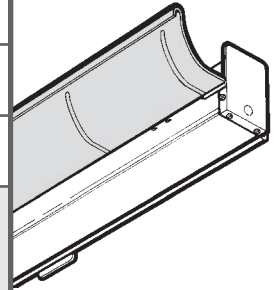
JOB:

TYPE:

VOLTAGE:

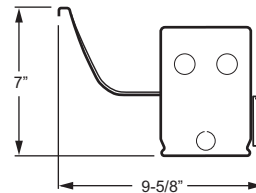
EXAMPLE → **79W** - **4** - **2 32** - **OPTIONS** - **EB2** - **UNV**

SERIES NOMINAL LENGTH TOTAL WATTAGE/LAMPS TYPE OPTIONS BALLAST TYPE VOLTAGE



FEATURES

- ▶ Up to 94.4% optical efficiency.
- ▶ Ideal for "high-tech industrial" environments and provides a perfect complement to Series 79 suspended fixtures.
- ▶ 33% open perforated reflector provides direct and indirect illumination.
- ▶ Fixture attaches to wall bracket for simple installation.
- ▶ 7/8" KO at each end allows for continuous row mounting.
- ▶ Quick-connect polarized wiring allows easy wiring and service for continuous rows.
- ▶ Custom colors available.
- ▶ All parts painted after fabrication to facilitate installation, increase efficiency, and inhibit corrosion.
- ▶ This fixture is proudly made in the USA.



SPECIFICATIONS

Housing – 20-gauge die-formed, ribbed C.R.S.

Reflector – 22-gauge die-formed, ribbed C.R.S. with 33% open perforation for downlight component.

Finish – 92% minimum average reflective white polyester powder coat bonded to phosphate-free, multi-stage pretreated metal. All parts painted after fabrication to facilitate installation, increase efficiency, and inhibit corrosion.

Electrical – Electronic ballast standard, instant start T8, rated Class P. Quick-connect polarized wiring allows easy wiring and service for continuous rows.

Mounting – Fixture attaches to powder coated die-formed C.R.S. bracket.

Labels – UL/CUL listed as fluorescent luminaire suitable for dry or damp locations.

ORDERING INFORMATION

SERIES

79W Industrial Indirect Wall

NOMINAL LENGTH

4 4'
8 8'

TOTAL LAMPS

2 or 4 (2-lamp cross-section)

LAMP WATTAGE/TYPE

32 4', 32-watt T8
59 8', 59-watt T8
86 8', 86-watt T8

OPTIONS

For generic EM ballast options (must specify voltage), see Information section.

C2 Two-circuit quick-connect wiring harness. For complete quick-connect offering, see Information section.

CLR Clear coat finish over bare metal

BALLAST TYPE

EB2 2-lamp electronic ballast
EB4 4-lamp electronic ballast

VOLTAGE

120 120V
277 277V
UNV 120-277V
347 347V

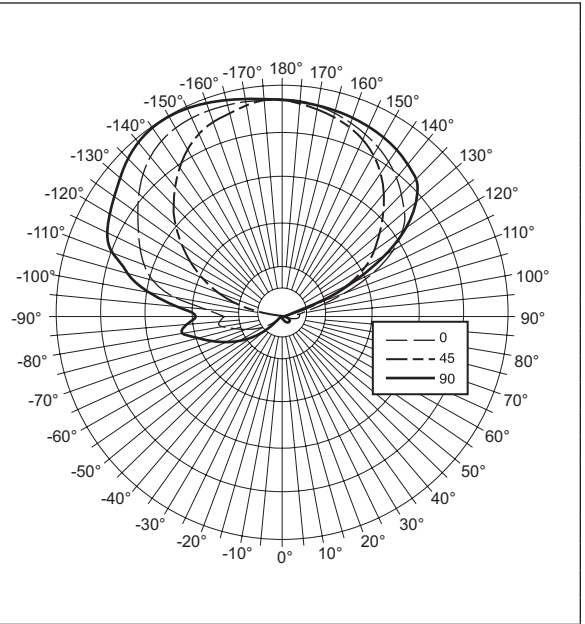
TEST REPORT INFORMATION

- ▶ Test Report #: 15042.0
- ▶ Date: 10/02/00
- ▶ Lamp Type: F32T8/841
- ▶ Lamp Quantity: 2

PHOTOMETRY INFORMATION

CANDLEPOWER DISTRIBUTION

Vertical Angle	Horizontal Angle			Zonal Lumens
	0°	45°	90°	
0°	23.	23.	23.	
5°	24.	23.	23.	1.0
15°	24.	21.	21.	3.0
25°	25.	22.	20.	5.0
35°	23.	22.	38.	9.0
45°	22.	35.	60.	14.0
55°	18.	43.	68.	19.0
65°	16.	38.	53.	18.0
75°	6.	28.	71.	19.0
85°	0.	58.	116.	31.0
90°	5.	61.	109.	
95°	39.	77.	128.	52.0
105°	243.	180.	185.	131.0
115°	478.	639.	529.	286.0
125°	696.	905.	936.	388.0
135°	890.	1039.	1154.	399.0
145°	1051.	1134.	1220.	356.0
155°	1175.	1212.	1252.	280.0
165°	1259.	1263.	1276.	179.0
175°	1301.	1294.	1287.	63.0
180°	1302.	1302.	1302.	



LUMEN SUMMARY

Zone	Lumens	% Lamp	% Fixture
0 - 30	17.	.3	.3
0 - 40	33.	.6	.6
0 - 60	146.	2.5	2.6
0 - 90	642.	10.9	11.5
40 - 90	609.	10.3	10.9
60 - 90	495.	8.4	8.9
90 - 180	4930.	83.6	88.5
Total Luminaire:			
0 - 180	5572.	94.4	100.0

Total Luminaire Optical Efficiency: **94.4%**

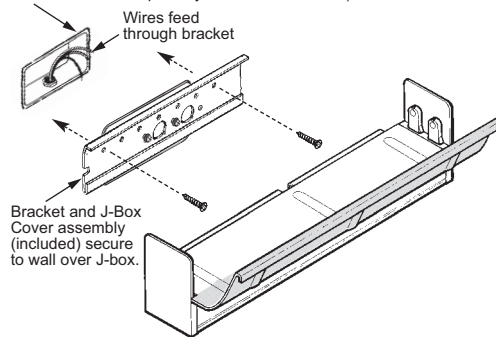
ZONAL CAVITY COEFFICIENTS

	Ceiling	.80			.70			.50		
	Wall	.70	.50	.30	.70	.50	.30	.50	.30	.10
Room Cavity Ratio	0	.93	.93	.93	.81	.81	.81	.59	.59	.59
	1	.83	.78	.74	.72	.68	.64	.49	.46	.44
	2	.74	.67	.61	.64	.58	.53	.41	.38	.35
	3	.68	.58	.51	.58	.51	.45	.36	.32	.29
	4	.61	.51	.44	.53	.45	.38	.32	.27	.24
	5	.56	.44	.38	.48	.39	.33	.28	.24	.20
	6	.51	.40	.33	.44	.35	.28	.25	.20	.17
	7	.47	.36	.28	.41	.31	.25	.22	.18	.15
	8	.43	.32	.25	.37	.28	.22	.20	.16	.13
	9	.40	.29	.22	.35	.25	.19	.18	.14	.11
	10	.37	.26	.20	.32	.23	.17	.17	.13	.10

Effective Floor Cavity Reflectance = .20

MOUNTING DETAILS

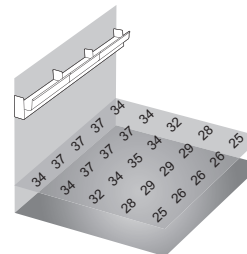
2" x 4" J-Box (not provided) mounted **horizontally** (if attaching to existing vertical J-box, J-box cover will be partially visible below fixture).



All lengths install in same manner.

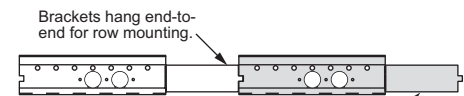
Row installation is detailed in instructions provided at www.hewilliams.com

FOOTCANDLE ESTIMATOR



Footcandle calculations based on standard reflectance of 80/50/20 and a light loss factor of .85.

Fixtures installed at 8' mounting height in 12' x 12' room with 10'-0" ceiling. Values shown are at 30" work surface height.



Mounting brackets hang end-to-end for row mounting