

# T8 INDUSTRIAL INDIRECT WALL

# 79AW

**SUBMITTAL:**

**JOB:**

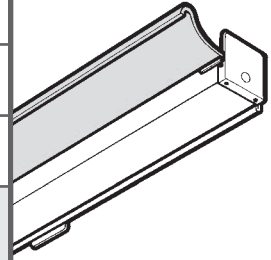
**TYPE:**

**VOLTAGE:**

EXAMPLE

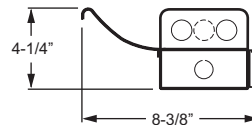
**79AW - 4 - 2 32 - OPTIONS - EB2 - UNV**

SERIES      NOMINAL LENGTH      TOTAL WATTAGE/LAMPS      TYPE      OPTIONS      BALLAST TYPE      VOLTAGE



## FEATURES

- ▶ Up to 82.8% optical efficiency.
- ▶ Ideal for "high-tech industrial" environments and provides a perfect complement to Series 79A suspended fixtures.
- ▶ 33% open perforated reflector provides direct and indirect illumination.
- ▶ Solid reflector available for complete indirect lighting.
- ▶ Fixture attaches to wall bracket for simple installation.
- ▶ Custom colors available.
- ▶ 7/8" KO at each end allows for continuous row mounting.
- ▶ Quick-connect polarized wiring allows easy wiring and service when used in continuous row applications.
- ▶ All parts painted after fabrication to facilitate installation increase efficiency, and inhibit corrosion.
- ▶ This fixture is proudly made in the USA.



## SPECIFICATIONS

**Housing** – 20-gauge die-formed, ribbed C.R.S.  
**Reflector** – 22-gauge die-formed, ribbed C.R.S. with 33% open perforation for downlight component.  
**Finish** – 92% minimum average reflective white polyester powder coat bonded to phosphate-free, multi-stage pretreated metal. All parts painted after fabrication to facilitate installation, increase efficiency, and inhibit corrosion.  
**Electrical** – Electronic ballast standard, instant start T8, rated Class P. Quick-connect polarized wiring allows easy wiring and service for continuous rows.  
**Mounting** – Fixture attaches to powder coated die-formed C.R.S. bracket.  
**Labels** – UL/CUL listed as fluorescent luminaire suitable for dry or damp locations.

## ORDERING INFORMATION

### SERIES

**79AW** Industrial Indirect Wall

### NOMINAL LENGTH

**4** 4'  
**8** 8'

### TOTAL LAMPS

**1, 2, or 4** (1- or 2-lamp cross-section)

### LAMP WATTAGE/TYPE

**32** 4', 32-watt T8  
**59** 8', 59-watt T8  
**86** 8', 86-watt T8

### OPTIONS

For generic EM ballast options (must specify voltage), see Information section.

**C2** Two-circuit quick-connect wiring harness. For complete quick-connect offering, see Information section.

**CLR** Clear coat finish over bare metal

**SLD** Solid reflector

### BALLAST TYPE

**EB1** 1-lamp electronic ballast  
**EB2** 2-lamp electronic ballast  
**EB4** 4-lamp electronic ballast

### VOLTAGE

**120** 120V  
**277** 277V  
**UNV** 120-277V  
**347** 347V

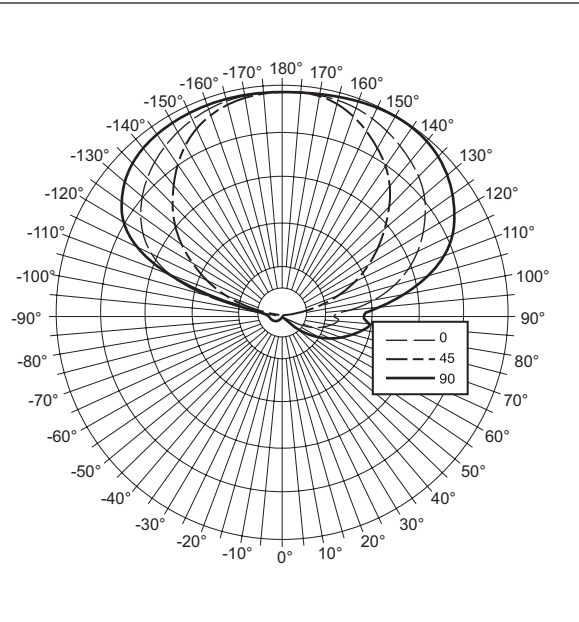
## TEST REPORT INFORMATION

- ▶ Test Report #: 15041.0
- ▶ Date: 10/02/00
- ▶ Lamp Type: F32T8/841
- ▶ Lamp Quantity: 2

## PHOTOMETRY INFORMATION

### CANDLEPOWER DISTRIBUTION

Vertical Angle	Horizontal Angle			Zonal Lumens
	0°	45°	90°	
0°	18.	18.	18.	
5°	18.	19.	19.	1.0
15°	19.	21.	22.	3.0
25°	19.	23.	21.	5.0
35°	18.	19.	16.	6.0
45°	19.	14.	9.	15.0
55°	19.	7.	4.	39.0
65°	15.	150.	300.	72.0
75°	8.	233.	399.	111.0
85°	0.	304.	457.	140.0
90°	1.	281.	437.	
95°	47.	367.	521.	195.0
105°	220.	631.	803.	310.0
115°	430.	790.	1002.	379.0
125°	630.	926.	1102.	404.0
135°	810.	1029.	1176.	391.0
145°	961.	1097.	1211.	343.0
155°	1079.	1149.	1209.	265.0
165°	1158.	1179.	1201.	167.0
175°	1198.	1196.	1190.	58.0
180°	1197.	1197.	1197.	



### LUMEN SUMMARY

Zone	Lumens	% Lamp	% Fixture
0 - 30	14.	.3	.3
0 - 40	25.	.4	.5
0 - 60	104.	1.8	2.0
0 - 90	489.	8.3	9.5
40 - 90	463.	7.9	9.0
60 - 90	384.	6.5	7.5
90 - 180	4660.	79.0	90.5
<b>Total Luminaire:</b>			
0 - 180	5149.	87.3	100.0

Total Luminaire Optical Efficiency: **87.3%**

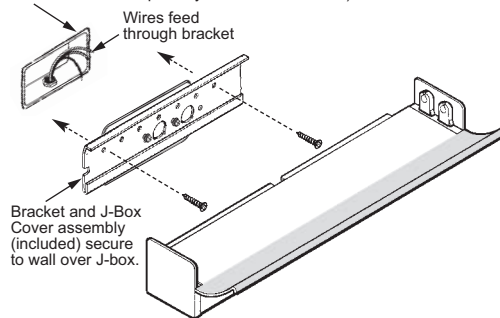
### ZONAL CAVITY COEFFICIENTS

	Ceiling	.80			.70			.50		
	Wall	.70	.50	.30	.70	.50	.30	.50	.30	.10
Room Cavity Ratio	0	.85	.85	.85	.74	.74	.74	.53	.53	.53
	1	.76	.72	.68	.66	.62	.59	.45	.43	.41
	2	.69	.62	.56	.59	.54	.49	.38	.35	.32
	3	.62	.54	.48	.54	.47	.42	.33	.30	.27
	4	.57	.48	.41	.49	.41	.35	.29	.25	.22
	5	.52	.41	.35	.45	.36	.31	.26	.22	.19
	6	.47	.37	.30	.41	.32	.26	.23	.19	.16
	7	.44	.33	.27	.38	.29	.23	.20	.17	.14
	8	.40	.30	.23	.35	.26	.20	.18	.15	.12
	9	.37	.27	.21	.32	.23	.18	.17	.13	.10
	10	.35	.25	.18	.30	.21	.16	.15	.12	.09

Effective Floor Cavity Reflectance = .20

### MOUNTING DETAILS

2" x 4" J-Box (not provided) mounted **horizontally** (if attaching to existing vertical J-box, J-box cover will be partially visible below fixture).

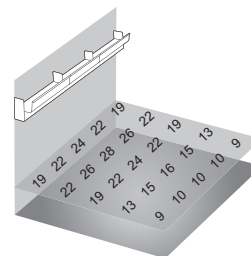


Bracket and J-Box Cover assembly (included) secure to wall over J-box.

All lengths install in same manner.

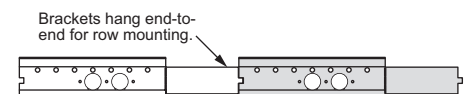
Row installation is detailed in instructions provided at [www.hewilliams.com](http://www.hewilliams.com)

### FOOTCANDLE ESTIMATOR



Footcandle calculations based on standard reflectance of 80/50/20 and a light loss factor of .85.

Fixtures installed at 8' mounting height in 30' x 30' room with 12'-0" ceiling. Values shown are at 36" work surface height.



Mounting brackets hang end-to-end for row mounting