

# T5 INDUSTRIAL INDIRECT WALL

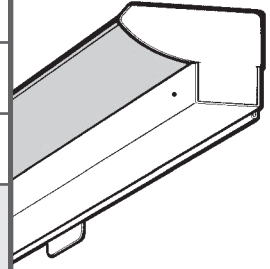
# 79BW

**SUBMITTAL:**

**JOB:**

**TYPE:**

**VOLTAGE:**



EXAMPLE

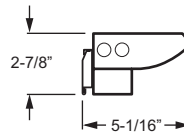
**79BW - 4 - 2 54T5H - F - OPTIONS - EB2 - UNV**

SERIES      NOMINAL LENGTH      TOTAL LAMPS      WATTAGE/TYPE      FIXTURE TYPE      OPTIONS      BALLAST TYPE      VOLTAGE



## FEATURES

- ▶ Up to 82.8% optical efficiency.
- ▶ Ideal for "high-tech industrial" environments and provides a perfect complement to 79B Series suspended fixtures.
- ▶ Perforated reflector with acrylic overlay provides subtle direct lighting and wide, uniform indirect illumination.
- ▶ Solid reflector available for complete indirect lighting.
- ▶ Fixture attaches to wall bracket for simple installation.
- ▶ Custom colors available—consult factory.
- ▶ Quick-connect polarized wiring allows easy wiring and service when used in continuous row applications.
- ▶ This fixture is proudly made in the USA.



## SPECIFICATIONS

**Housing** – 20-gauge die-formed C.R.S.  
**Reflector** – 50% open perforation C.R.S. with acrylic overlay.  
**Finish** – 92% minimum average reflective white polyester powder coat bonded to phosphate-free, multi-stage pretreated metal. All parts painted after fabrication to facilitate installation, increase efficiency, and inhibit corrosion.  
**Electrical** – Electronic ballast standard, program start T5, rated Class P.  
**Mounting** – Fixture attaches to powder coated die-formed C.R.S. bracket.  
**Labels** – UL/CUL listed as fluorescent luminaire suitable for dry or damp locations.

## ORDERING INFORMATION

### SERIES

**79BW** T5 Industrial Indirect Wall

### NOMINAL LENGTH

**2** 2'  
**4** 4'  
**8** 8'

### TOTAL LAMPS

1, 2, or 4

### LAMP WATTAGE/TYPE

**14T5S** 2', 14-watt T5  
**24T5H** 2', 24-watt T5HO  
**28T5S** 4', 28-watt T5  
**54T5H** 4', 54-watt T5HO

### FIXTURE TYPE

**F** Electrical feeder unit, single-circuit quick-connect wiring harness, two end plates included  
**J** Joiner unit, single-circuit quick-connect wiring harness

### OPTIONS

For generic EM ballast options (must specify voltage), see Fluorescent Information section.

**C2** Two-circuit quick-connect wiring harness. For complete quick-connect offering, see Information section.

**CLR** Clear coat finish over bare metal  
**SLD** Solid reflector

### BALLAST TYPE

**EB1** 1-lamp electronic ballast  
**EB2** 2-lamp electronic ballast  
**EB4** 4-lamp electronic ballast

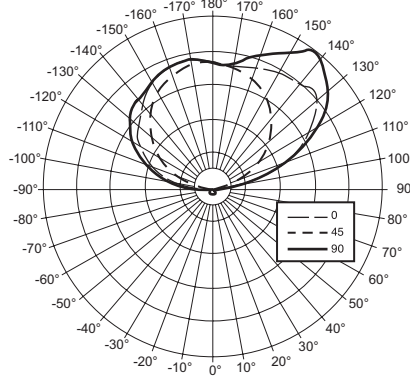
### VOLTAGE

**120** 120V  
**277** 277V  
**UNV** 120-277V  
**347** 347V

## PHOTOMETRY INFORMATION

### TEST REPORT INFORMATION

- ▶ Test Report #: 15050.0
- ▶ Date: 10/05/00
- ▶ Lamp Type: FP54T5HO/841
- ▶ Lamp Quantity: 2



### CANDLEPOWER DISTRIBUTION

Vertical Angle	Horizontal Angle			Zonal Lumens
	0°	45°	90°	
0°	56.	56.	56.	
5°	56.	61.	61.	3.0
15°	54.	64.	66.	9.0
25°	49.	64.	70.	14.0
35°	43.	62.	70.	19.0
45°	33.	56.	68.	21.0
55°	23.	45.	55.	20.0
65°	13.	38.	47.	17.0
75°	3.	24.	38.	13.0
85°	0.	20.	28.	9.0
90°	0.	17.	28.	
95°	46.	87.	105.	75.0
105°	261.	595.	643.	304.0
115°	500.	1076.	1127.	485.0
125°	734.	1396.	1540.	570.0
135°	944.	1578.	1794.	563.0
145°	1122.	1499.	1884.	467.0
155°	1262.	1465.	1652.	335.0
165°	1356.	1396.	1484.	199.0
175°	1403.	1384.	1378.	67.0
180°	1401.	1401.	1401.	

### ZONAL CAVITY COEFFICIENTS

	Ceiling	.80			.70			.50		
	Wall	.70	.50	.30	.70	.50	.30	.50	.30	.10
Room Cavity Ratio	0	.80	.80	.80	.68	.68	.68	.48	.48	.48
	1	.72	.69	.66	.62	.59	.57	.41	.40	.38
	2	.65	.60	.55	.56	.51	.47	.36	.33	.31
	3	.60	.53	.47	.51	.45	.41	.32	.29	.26
	4	.54	.46	.40	.47	.40	.35	.28	.25	.22
	5	.50	.40	.35	.43	.35	.30	.25	.21	.19
	6	.46	.36	.30	.39	.31	.26	.22	.19	.16
	7	.42	.33	.26	.36	.28	.23	.20	.16	.14
	8	.39	.29	.23	.33	.25	.20	.18	.15	.12
	9	.36	.26	.21	.31	.23	.18	.16	.13	.11
	10	.33	.24	.18	.28	.21	.16	.15	.12	.09

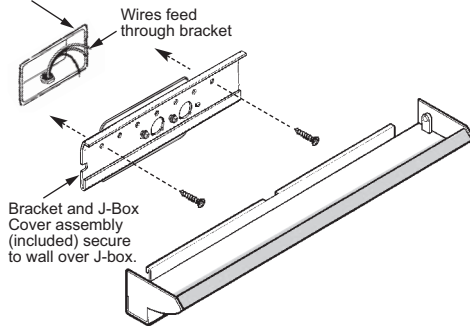
Effective Floor Cavity Reflectance = .20

### LUMEN SUMMARY

Zone	Lumens	% Lamp	% Fixture
0 - 30	40.	.6	.7
0 - 40	65.	.9	1.1
0 - 60	116.	1.7	2.0
0 - 90	193.	2.8	3.3
40 - 90	127.	1.8	2.2
60 - 90	76.	1.1	1.3
90 - 180	5601.	80.0	96.7
<b>Total Luminaire:</b>			
0 - 180	5795.	82.8	100.0
Total Luminaire Optical Efficiency: <b>82.8%</b>			

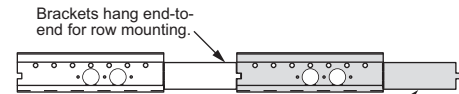
## FIXTURE DETAILS

2" x 4" J-Box (not provided) mounted **horizontally** (if attaching to existing vertical J-box, J-box cover will be partially visible below fixture).



Bracket and J-Box Cover assembly (included) secure to wall over J-box.

All lengths install in same manner.  
Row installation is detailed in instructions provided at [hewilliams.com](http://hewilliams.com)



Mounting brackets hang end-to-end for row mounting