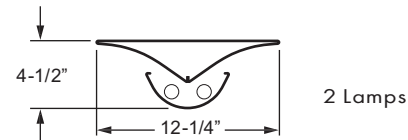
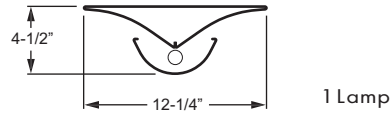
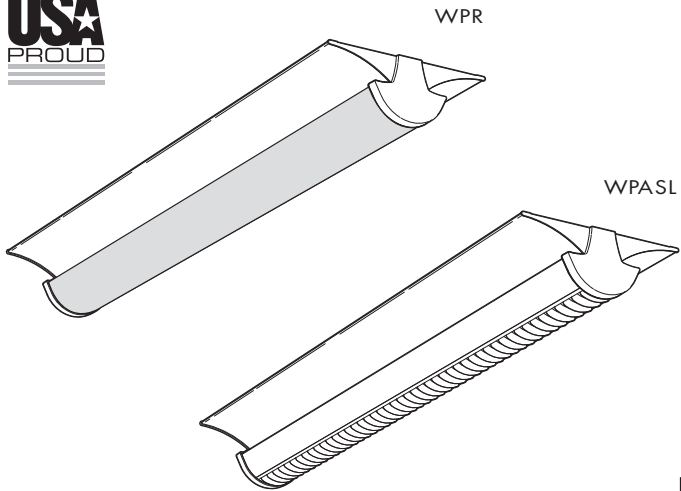


DROP DIRECT/INDIRECT

SERIES **DDI**
 VOLTAGE TYPE JOB _____



SPECIFICATIONS

- HOUSING – 22-gauge die-formed, welded C.R.S. (20 gauge for 8' lengths) with 16-gauge C.R.S. end plates.
- SHIELDING – 20-gauge highly-reflective textured white powder coated steel, 50% open perforation with matte white acrylic overlay or 50% perforation with louver.
- REFLECTOR – Precision die-formed C.R.S. with highly-reflective, non-glare textured matte white polyester powder coated finish.
- FINISH – Highly-reflective textured matte white powder coat with multi-stage iron/phosphate prepared metal.
- ELECTRICAL – Electronic ballast standard, instant start T8, programmed start T5, rated Class P.
- LABELS – UL/CUL listed as fluorescent luminaire suitable for dry or damp locations.
- MOUNTING – Surface, stem and canopy, or 1/16" dia. x 24" adjustable steel leveling aircraft cable.

FEATURES

- Ideal replacement for traditional surface mount, wrap around, or suspended fixtures.
- Available with fully perforated shielding or louvered/perforated for choice of appearance and down light.
- Highly-reflective textured matte white paint for increased efficiency.
- Translucent matte white acrylic over perforations provides uniform luminous effect.
- Uplight option provides approximately 15% uplight for pendant applications.
- Injection molded diffuser and decorative end caps add aesthetic appeal.
- Optional injection molded reflector bands provide a smooth transition for continuous rows.
- Optional No. 14 AWG quick-connect polarized wiring available to allow easy wiring and service for continuous row mounting.
- Mounting choices include surface, stem and canopy, or aircraft cable.
- All parts painted after fabrication to facilitate installation, increase efficiency, and inhibit corrosion.

ORDERING INFORMATION

Submittal

EXAMPLE: **DDI** - **4** - **2 32** - **WPR** - **OPTIONS** - **EB2** - **UNV**

SERIES

DDI Drop Direct/Indirect

NOMINAL LENGTH

2 2'
4 4'
8 8'

TOTAL LAMPS

1, 2, or 4 (T5 or T8 1 or 2-lamp cross-section, TT 1-lamp cross-section only)

LAMP WATTAGE/TYPE

14T5S 2', 14-watt T5
17 2', 17-watt T8
24T5H 2', 24-watt T5HO
28T5S 4', 28-watt T5
32 4', 32-watt T8

LAMP WATTAGE/TYPE cont'd.

40TT 2', 40-watt long twin tube
50TT 2', 50-watt long twin tube
54T5H 4', 54-watt T5HO
55TT 2', 55-watt long twin tube

SHIELDING

WPR White Perforated Round diffuser
WPASL White Perforated w/Aluminum Solid Louver

OPTIONS

UP Uplight apertures on 2-lamp suspended cross-sections only

Note: For more options/accessories, ballast combinations, and product details, please consult factory.

BALLAST TYPE

EB1 1-lamp electronic ballast
EB2 2-lamp electronic ballast
EB4 4-lamp electronic ballast
EB2/2 (2) 2-lamp electronic ballasts

VOLTAGE

120 120V
277 277V
UNV 120 - 277V
347 347V

Row Mounting: See Williams information section for quick-connect options.



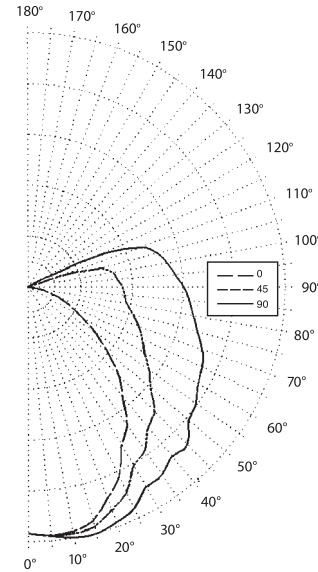
FLUORESCENT LIGHTING

Williams Catalog #DDI-4-232-WPR-EB2
 Test Report #13824.0, Dated 12/31/07

Lamp Type: F32T8/835/RS
 Lamp Quantity: 2

CANDLEPOWER DISTRIBUTION

VERT. ANG.	HORIZONTAL ANGLE			ZONAL LUMENS
	0	45	90	
0	832.	832.	832.	
5	840.	842.	844.	80.4
15	817.	837.	861.	237.4
25	709.	767.	826.	354.8
35	570.	673.	775.	422.4
45	425.	594.	753.	457.7
55	271.	489.	685.	432.7
65	153.	417.	641.	401.8
75	71.	359.	586.	361.7
85	12.	321.	542.	330.0
90	0.	313.	521.	



LUMEN SUMMARY

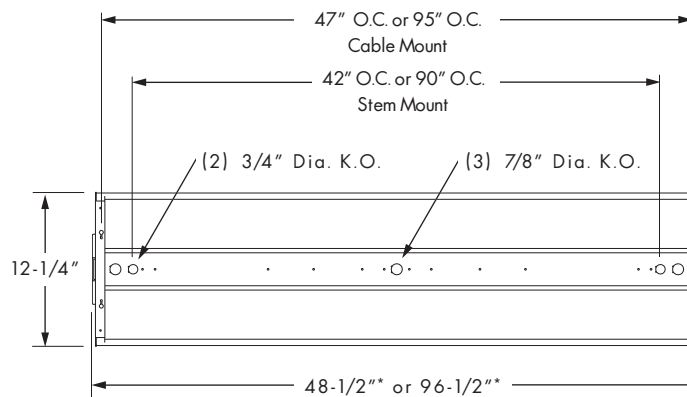
ZONE	LUMENS	% LAMP	% FIXTURE
0 - 30	673.	11.4	18.2
0 - 40	1095.	18.6	29.6
0 - 60	1985.	33.7	53.6
0 - 90	3079.	52.2	83.2
90 - 120	616.	10.4	16.6
90 - 130	622.	10.5	16.8
90 - 150	622.	10.5	16.8
90 - 180	622.	10.5	16.8
0 - 180	3701.	62.7	100.0

ZONAL CAVITY COEFFICIENTS
 EFFECTIVE FLOOR CAVITY REFL. = .20

CEILING	.80			.70			.50			
	WALL	.70	.50	.30	.70	.50	.30	.50	.30	.10
0		.72	.72	.72	.69	.69	.69	.64	.64	.64
1		.64	.60	.57	.61	.58	.55	.53	.51	.49
2		.58	.52	.47	.55	.50	.45	.46	.42	.39
3		.53	.45	.40	.50	.44	.39	.40	.36	.32
4		.48	.40	.34	.46	.38	.33	.36	.31	.27
5		.44	.35	.29	.42	.34	.28	.31	.27	.23
6		.40	.31	.26	.38	.30	.25	.28	.23	.20
7		.37	.28	.23	.35	.27	.22	.25	.21	.17
8		.34	.25	.20	.33	.24	.19	.23	.18	.15
9		.32	.23	.18	.30	.22	.17	.20	.16	.13
10		.29	.21	.16	.28	.20	.15	.19	.14	.12

TOTAL LUMINAIRE OPTICAL EFFICIENCY = 62.7%
 SPACING CRITERIA: END = 1.1 DIAG. = 1.3 ACROSS = 1.4

BACK VIEW



*Note: Overall length dimensions are for stand alone unit with end caps. Units without end caps for continuous row mounting are 48" or 96" long.



H. E. WILLIAMS, INC.