

# FULLY ENCLOSED INDUSTRIAL

# 95

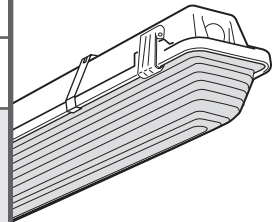
**SUBMITTAL:**

**T5 | T8**

**JOB:**

**TYPE:**

**VOLTAGE:**



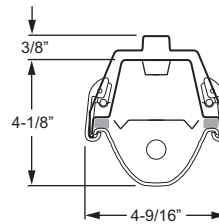
**EXAMPLE** → **95 - 4 - 1 54T5H - PC - OPTIONS - EB1 - UNV**

SERIES    NOMINAL LENGTH    TOTAL LAMPS    WATTAGE/TYPE    SHIELDING    OPTIONS/ACCESSORIES    BALLAST TYPE    VOLTAGE



## FEATURES

- ▶ Fully gasketed fixture resists dust, bugs, and moisture.
- ▶ Polycarbonate toggle latches (standard) ensure a tight seal and provide easy access to electrical components.
- ▶ Optional stainless steel, tamper-resistant stainless steel, or tamper-resistant polycarbonate latches available.
- ▶ Seamless closed-cell gasket poured and formed in place to ensure tight seal.
- ▶ NSF/ANSI Standard 2–Splash Zone certified.
- ▶ IP65 certified.
- ▶ UL listed as fluorescent fixture suitable for wet locations<sup>1</sup> when ordered with factory-installed watertight hubs.
- ▶ This fixture is proudly made in the USA.



## SPECIFICATIONS

**Enclosure** – Outer housing consists of 5VA (f1) fiberglass, rated for flame and weather resistance.

**Internal Housing** – 25-gauge die-formed C.R.S.

**Latching** – Injection-molded polycarbonate latches.

**Reflective Surfaces** – 92% minimum average reflective white polyester powder coat bonded to phosphate-free, multi-stage pretreated metal. All parts painted after fabrication to facilitate installation, increase efficiency, and inhibit corrosion.

**Shielding** – Clear, 100% polycarbonate, UV stabilized diffuser.

**Electrical** – Electronic ballast standard, instant start T8, program start T5, rated Class P.

**Mounting** – Surface or suspended. Stainless steel ceiling mounting bracket standard.

**Labels & Certifications** – UL/CUL listed as fluorescent luminaire suitable for dry or damp locations. UL/CUL listed as suitable for wet locations when specified with WET/1 or WET/2 option.<sup>1</sup> NSF/ANSI Standard 2–Splash Zone certified, IP65 certified.

## ORDERING INFORMATION

<b>SERIES</b>	95 Fully Enclosed Industrial
<b>NOMINAL LENGTH</b>	4 4'
<b>TOTAL LAMPS</b>	1
<b>LAMP WATTAGE/TYPE</b>	28T5S 4', 28-watt T5 32 4', 32-watt T8 54T5H 4', 54-watt T5HO
<b>SHIELDING</b>	PC Clear, 100% polycarbonate diffuser (vacuum-formed)
<b>OPTIONS/ACCESSORIES</b>	For generic EM ballast options (must specify voltage), see Fluorescent Information section. <sup>1</sup> WET/1 <sup>1</sup> (1) 1/2" watertight hub (factory-installed in end of housing) <sup>1</sup> WET/2 <sup>1</sup> (2) 1/2" watertight hubs (factory-installed in ends of housing) <sup>1</sup>

<b>OPTIONS/ACCESSORIES (Continued)</b>	
SSCMB	Stainless steel chain mounting brackets (2 per fixture)
TP <sup>2</sup>	Tamper-resistant polycarbonate latches <sup>2</sup>
SS LATCH	Stainless steel latches
TP/SS LATCH <sup>2</sup>	Tamper-resistant stainless steel latches <sup>2</sup>
<b>BALLAST TYPE</b>	
EB1	1-lamp electronic ballast
<b>VOLTAGE</b>	
120	120V
208	208V
240	240V
277	277V
UNV	120-277V
347	347V
480	480V (T5HO only)
HRV	347-480V (T5HO only)

<sup>1</sup> When specifying EM option, EM ballast for enclosed and gasketed fixtures is required for fixture to be suitable for wet locations.

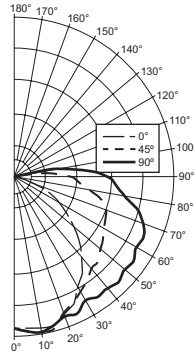
<sup>2</sup> This option requires a tamper-resistant tool (must be ordered separately). Please specify quantity required per project.

PHOTOMETRY INFORMATION

Catalog #: 95-4-154T5H-PC-EB1

TEST REPORT INFORMATION

- ▶ Test Report #: 11340.0
- ▶ Date: 01/28/02
- ▶ Lamp Type: FP54T5HO
- ▶ Lamp Quantity: 1



ZONAL CAVITY COEFFICIENTS

	Ceiling			Wall			Floor			
	.80	.70	.50	.30	.70	.50	.30	.50	.30	.10
Room Cavity Ratio	0	.99	.99	.99	.95	.95	.95	.90	.90	.90
1	.87	.82	.77	.84	.79	.75	.74	.71	.68	
2	.78	.70	.63	.75	.68	.61	.63	.58	.53	
3	.71	.61	.53	.68	.59	.52	.55	.49	.44	
4	.64	.53	.45	.62	.52	.44	.48	.42	.37	
5	.58	.47	.38	.56	.45	.37	.42	.36	.31	
6	.54	.41	.33	.51	.40	.33	.38	.31	.26	
7	.49	.37	.29	.47	.36	.29	.34	.27	.23	
8	.45	.33	.26	.44	.32	.25	.31	.24	.19	
9	.42	.30	.22	.40	.29	.22	.27	.21	.17	
10	.39	.27	.20	.37	.26	.20	.25	.19	.15	

Effective Floor Cavity Reflectance = .20

CANDLEPOWER DISTRIBUTION

Vertical Angle	Horizontal Angle			Zonal Lumens
	0°	45°	90°	
0°	917.	917.	917.	
5°	920.	934.	942.	89.0
15°	927.	943.	924.	265.0
25°	846.	838.	905.	400.3
35°	715.	769.	883.	489.4
45°	554.	720.	897.	555.2
55°	384.	654.	887.	571.4
65°	223.	607.	865.	568.0
75°	89.	547.	779.	518.6
85°	15.	391.	621.	392.0
90°	7.	352.	573.	

LUMEN SUMMARY

Zone	Lumens	% Lamp	% Fixture
0 - 30	754.	15.1	17.9
0 - 40	1244.	24.9	29.5
0 - 60	2370.	47.4	56.3
0 - 90	3849.	77.0	91.4
90 - 120	349.	7.0	8.3
90 - 130	358.	7.2	8.5
90 - 150	963.	7.3	8.6
90 - 180	363.	7.3	8.6

Total Luminaire:

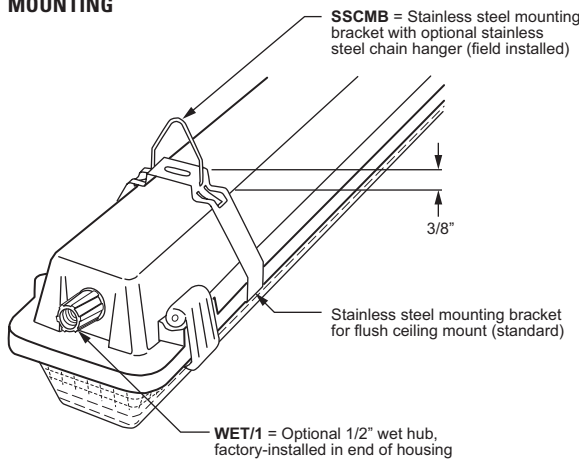
0 - 180	4212.	84.2	100.0
---------	-------	------	-------

Total Luminaire Optical Efficiency: 84.2%

IES Spacing Criteria: End = 1.2, Diagonal = 1.5, Across = 1.5

FIXTURE DETAILS

MOUNTING



Nominal Length	Overall Length
4'	51-7/8"