

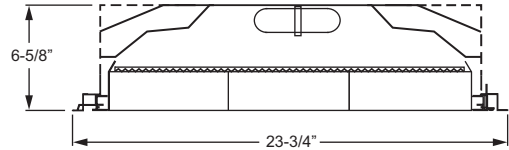
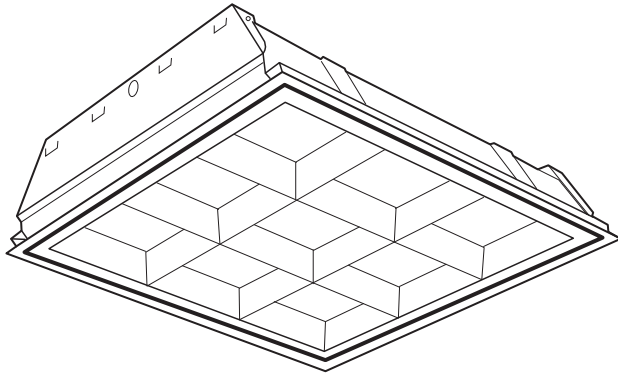
INDUCTION

JOB _____

TYPE _____

VOLTAGE _____

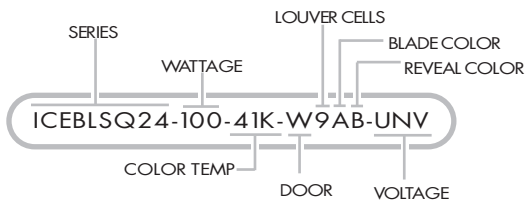
24" RECESSED SQUARE ICE with 9 or 16-CELL, 2" DEEP BLADE® LOUVER and PRISMATIC LENS



For flange installations, use the Drywall Kit (DFK), ordered separately, see Information section.

CATALOG NUMBER

SERIES/SIZE	WATTAGE	COLOR TEMP	DOOR/LOUVER ASSEMBLY
ICEBLSQ24	100	35K	
ICEBLSQ24	100	41K	
ICEBLSQ24	150S	35K	
ICEBLSQ24	150S	41K	
ICEBLSQ24	150L	35K	
ICEBLSQ24	150L	41K	



SUFFIX

Door Frame Color	
White	W
Black	B
Louver Cells	
9 cells	9
16 cells	16
Blade Color	
Aluminum	A
Black	B
Off-white	O
Bronze	Z
White	W
Reveal Color	
Black	B
White	W

- 100,000 hour lamp life significantly reduces maintenance costs where relamping is inconvenient or expensive.
- Induction lamps provide excellent lumen maintenance—70% at 60,000 hours.
- Lamps available in 3500K and 4100K color temperature.
- High color rendering index (CRI) of 80.
- 100W and 150W systems operate in ambient temperatures as low as -40°C/-40°F.
- Instant on/instant re-strike.
- All parts painted after fabrication to facilitate installation, increase efficiency, and inhibit rusting.
- Patented BLADE® louvers with acrylic prismatic overlay standard.
- .040" thick aluminum housing standard.
- Electronic 120-277V ballast standard.
- UL and CSA listed.
- Damp location standard.
- Prewired at factory for easy field installation.
- This fixture is proudly made in the USA.



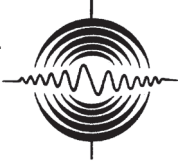
FIXTURE SUBMITTED/APPROVED

PHOTOMETRIC DATA

ICE BLSQ24-150L

BUILDING ACOUSTICS & LIGHTING LABORATORIES, INC.

1618 HEADLAND DR.
FENTON, MO 63026
(314) 343-6006
(314) 343-6051 FAX



Report No: **12524.0**

Date: **1/5/05**

Description: **1/150W Iceatron Induction 2x2' Recessed White Body Luminaire
Gray 9-Cell 2.125" Deep Blade Louver w/ PAT12 Prism Overlay
Sylvania Ballast #QT 1x150 ICE/UNV-T**

Catalog No: **ICEBLSQ24-150L**

Watts: **155**

Lamp Type: **ICETRON 150/QT150**

Rated Lumens: **12000.**

No. Lamps: **1**

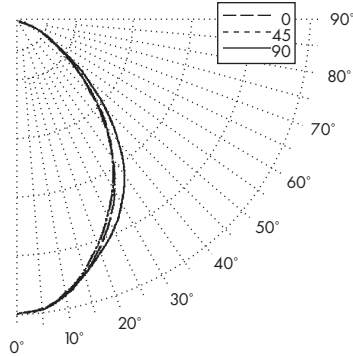
CANDLEPOWER DISTRIBUTION

VERT ANG	HORIZONTAL ANGLE					ZONAL LUMENS
	0	22.5	45	67.5	90	
0	3998.	3998.	3998.	3998.	3998.	376.6
5	3940.	3942.	3944.	3951.	3949.	
10	3772.	3773.	3774.	3792.	3790.	1006.2
15	3560.	3562.	3522.	3550.	3568.	
20	3276.	3261.	3225.	3286.	3338.	1379.2
25	2973.	2941.	2904.	3031.	3113.	
30	2634.	2588.	2579.	2742.	2843.	1445.5
35	2230.	2215.	2220.	2394.	2520.	
40	1816.	1803.	1853.	2010.	2110.	1141.8
45	1407.	1358.	1444.	1564.	1656.	
50	1036.	1012.	1062.	1129.	1212.	676.0
55	752.	720.	727.	777.	828.	
60	528.	472.	471.	503.	545.	309.1
65	351.	296.	275.	316.	366.	
70	212.	172.	159.	190.	216.	102.5
75	110.	92.	83.	99.	117.	
80	57.	48.	39.	50.	59.	17.6
85	18.	17.	13.	16.	19.	
90	0.	0.	0.	0.	0.	

ZONAL CAVITY COEFFICIENTS OF UTILIZATION

EFFECTIVE FLOOR CAVITY REFLECTANCE = .20

CEILING	80				70				50			30		
	WALL	70	.50	30	.10	70	.50	30	.10	.50	.30	.10	.50	.30
0	64	.64	.64	.64	.63	.63	.63	.63	.60	.60	.60	.57	.57	.57
1	60	.58	.57	.55	.59	.57	.56	.54	.55	.54	.53	.53	.52	.51
2	56	.53	.51	.48	.55	.52	.50	.48	.50	.48	.47	.49	.47	.46
3	53	.49	.45	.43	.52	.48	.45	.42	.46	.44	.42	.45	.43	.41
4	49	.44	.40	.38	.48	.43	.40	.37	.42	.39	.37	.41	.39	.37
5	46	.40	.36	.33	.45	.40	.36	.33	.38	.35	.33	.38	.35	.33
6	43	.37	.33	.30	.42	.36	.32	.30	.35	.32	.30	.35	.32	.29
7	40	.34	.30	.27	.39	.33	.29	.27	.32	.29	.26	.32	.29	.26
8	37	.30	.26	.24	.36	.30	.26	.24	.29	.26	.24	.29	.26	.23
9	34	.28	.24	.21	.33	.27	.24	.21	.27	.23	.21	.26	.23	.21
10	32	.25	.21	.19	.31	.25	.21	.19	.25	.21	.19	.24	.21	.19



FIXTURE QUANTITY QUICK ESTIMATOR TABLES

REFLECTANCE: Ceiling = 80%
Walls = 50%
Floor = 20%

LIGHT LOSS FACTOR: 1.0

Room Size - 12' Ceiling	±50 fc	±75 fc	±100 fc
Small - 400 Sq Ft	4	6	8
Medium - 900 Sq Ft	9	14	18
Large - 1600 Sq Ft	16	24	33

LUMEN SUMMARY

ZONE	LUMENS	%LAMP	%FIXT	ZONE	LUMENS	%LAMP	%FIXT
0-30	2762.	23.0	42.8	90-120	0.	.0	.0
0-40	4207.	35.1	65.2	90-130	0.	.0	.0
0-60	6025.	50.2	93.4	90-150	0.	.0	.0
0-90	6454.	53.8	100.0	90-180	0.	.0	.0
TOTAL LUMINAIRE =				0-180	6454.	53.8	100.0

IES SPACING CRITERIA: END = 1.0 DIAGONAL = 1.0 CROSS = 1.1

LUMINANCES CD/SQ-M

VERT ANG	HORIZONTAL ANGLE		
	0	45	90
45	7651.	7853.	9005.
55	5041.	4874.	5551.
65	3194.	2502.	3330.
75	1634.	1233.	1738.
85	794.	574.	838.

MAXIMUM BRIGHTNESS NOT MEASURED

LIGHT CONE QUICK CALCULATOR TABLES

MNT HGT-FT	FC at		End	Cone Dia. Diagonal	Cross
	Edge of Cone	FC at Nadir			
8	312	62.5	8.0	8.0	8.8
10	20.0	40.0	10.0	10.0	11.0
12	13.9	27.8	12.0	12.0	13.2
14	10.2	20.4	14.0	14.0	15.4
16	7.8	15.6	16.0	16.0	17.6
18	6.2	12.3	18.0	18.0	19.8
20	5.0	10.0	20.0	20.0	22.0

