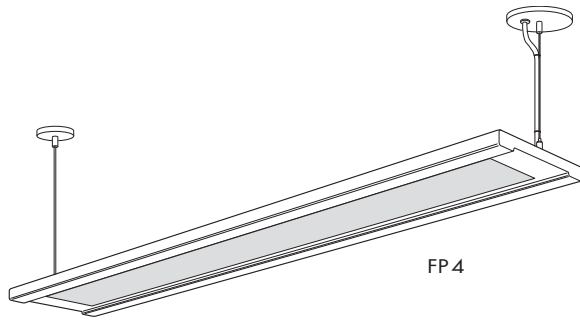


LUMINOUS ACRYLIC FLAT PANEL

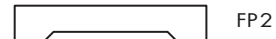
SERIES

FP

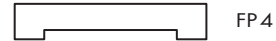
JOB _____
TYPE _____
VOLTAGE _____



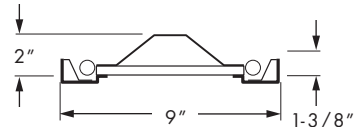
FP4



FP2



FP4



SPECIFICATIONS

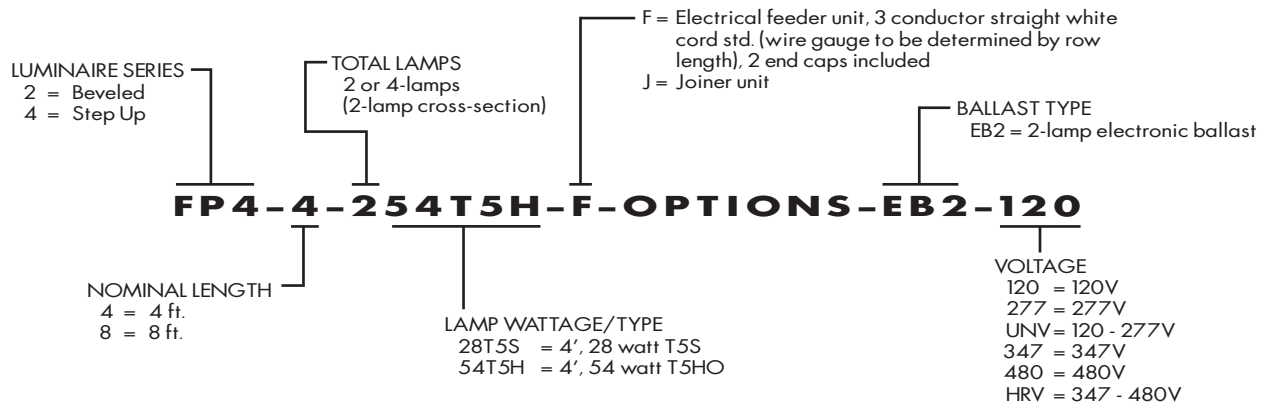
- HOUSING – Heavy gauge die-formed C.R.S.
- REFLECTIVE SURFACES – 92% minimum average reflective white powder coat on interior components.
- SHIELDING – 0.375" thick patterned acrylic.
- FINISH – Non-glare white polyester powder coated exterior textured finish with multi-stage iron/phosphate prepared metal.
- ELECTRICAL – Electronic ballast standard, programmed start T5, rated Class P.
- LABELS – UL/CUL listed as fluorescent luminaire suitable for dry or damp locations.
- MOUNTING – 1/16" dia. x 24" long adjustable steel aircraft cable standard.

FEATURES

- Lightly patterned acrylic captures and uniformly distributes light from T5 lamps concealed within the 1-3/8" deep housing.
- T5HO lamps maintain 95% of their original output and provide good color rendition.
- Contemporary design compliments modern environments.
- Die-formed end caps.
- Self-aligning joining method ensures straight continuous rows.
- All parts painted after fabrication to facilitate installation, increase efficiency, and inhibit corrosion.
- Custom colors available – consult factory.

SUBMITTAL INFORMATION

For more options, accessories, and product details, refer to Information Section.



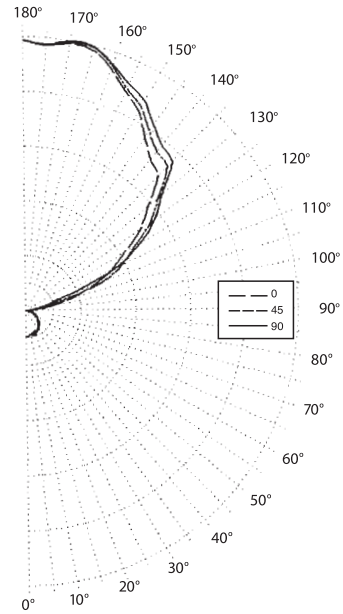
FLUORESCENT LIGHTING

Williams Catalog #FP4-4-254T5H-EB2-120*
Test Report #12389.0, Dated 09/14/04

Lamp Type: FP54T5HO/835
Lamp Quantity: 2

CANDLEPOWER DISTRIBUTION

VERT. ANG.	HORIZONTAL ANGLE			ZONAL LUMENS
	0	45	90	
0	236.	236.	236.	
5	237.	237.	237.	22.6
15	222.	238.	225.	65.5
25	201.	226.	210.	101.7
35	200.	199.	209.	124.3
45	160.	172.	172.	126.8
55	108.	139.	127.	119.2
65	80.	92.	102.	92.3
75	39.	58.	61.	55.5
85	2.	23.	35.	23.6
90	0.	20.	29.	
95	102.	57.	57.	69.1
105	452.	336.	212.	367.9
115	888.	995.	924.	957.1
125	1315.	1435.	1485.	1270.6
135	1762.	1885.	1950.	1446.7
145	1965.	2034.	2106.	1278.5
155	2255.	2284.	2331.	1061.0
165	2520.	2548.	2551.	720.3
175	2492.	2490.	2496.	237.9
180	2528.	2528.	2528.	



LUMEN SUMMARY

ZONE	LUMENS	% LAMP	% FIXTURE
0 - 30	190.	1.9	2.3
0 - 40	314.	3.1	3.9
0 - 60	560.	5.6	6.9
0 - 90	732.	7.3	9.0
90 - 120	1394.	13.9	17.1
90 - 130	2665.	26.6	32.7
90 - 150	5390.	53.9	66.2
90 - 180	7409.	74.1	91.0
0 - 180	8141.	81.4	100.0

TOTAL LUMINAIRE OPTICAL EFFICIENCY = 81.4%

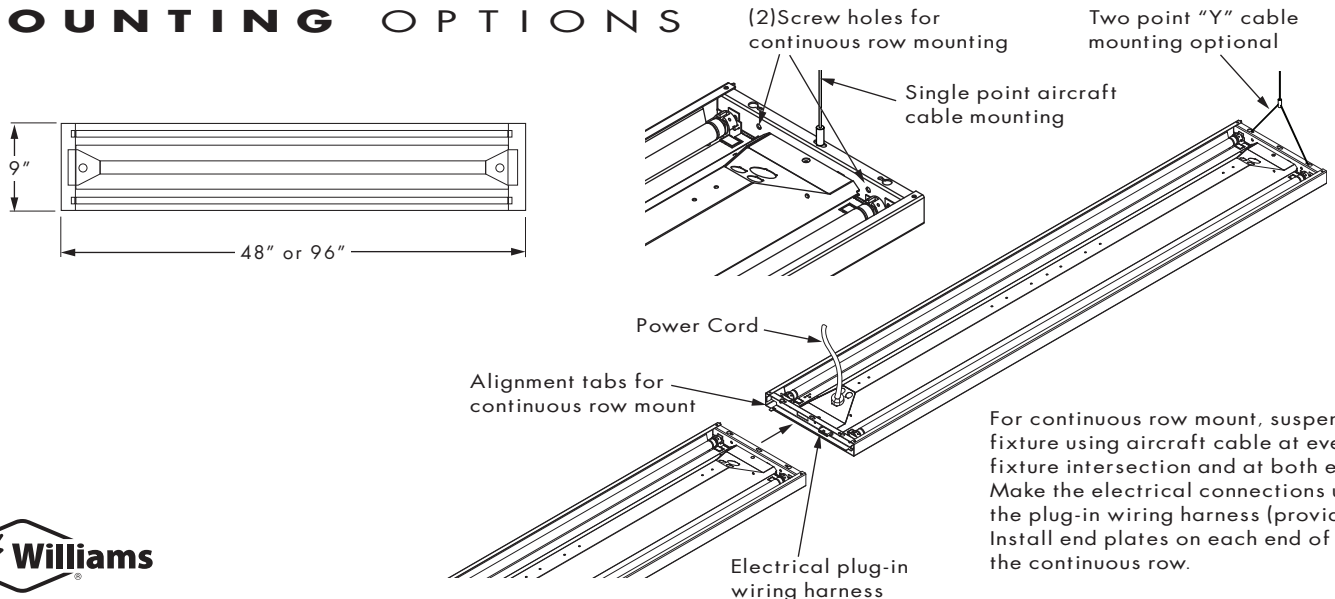
ZONAL CAVITY COEFFICIENTS

EFFECTIVE FLOOR CAVITY REFL. = .20

CEILING WALL RCR	.80			.70			.50		
	.70	.50	.30	.70	.50	.30	.50	.30	.10
0	.79	.79	.79	.69	.69	.69	.49	.49	.49
1	.72	.69	.66	.62	.60	.57	.43	.41	.40
2	.66	.60	.55	.57	.52	.48	.37	.35	.33
3	.60	.52	.47	.52	.46	.41	.33	.30	.28
4	.54	.46	.40	.47	.40	.35	.29	.26	.23
5	.50	.41	.35	.43	.36	.31	.26	.23	.20
6	.46	.37	.31	.40	.32	.27	.23	.20	.17
7	.42	.33	.27	.37	.29	.24	.21	.18	.15
8	.39	.30	.24	.34	.26	.21	.19	.16	.13
9	.36	.27	.22	.31	.24	.19	.17	.14	.12
10	.34	.25	.20	.29	.22	.17	.16	.13	.11

* For FP1, FP2, and FP4 photometrics/.ies files, use the above test report number

MOUNTING OPTIONS



H.E. WILLIAMS, INC.

H.E. Williams, Inc. • Carthage, Missouri • www.hewilliams.com • 417-358-4065 • Fax: 417-358-6015

Information contained herein is subject to change without notice.

HEWJP54187 01/30/12JJ