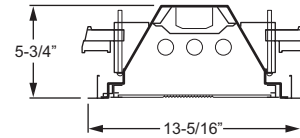
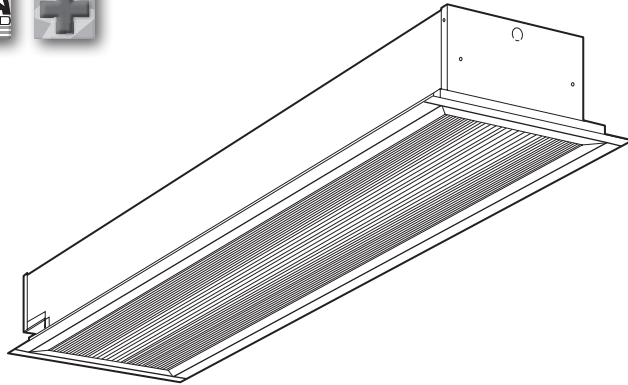


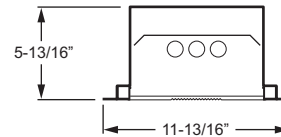
1' x 4' MEDICAL SURGICAL TROFFER

SERIES MDS
VOLTAGE TYPE JOB _____

FOR WIDE GRID CEILING SYSTEMS



NEMA Type "F"



NEMA Type "G"

SPECIFICATIONS

- **Housing** – 20-gauge die-formed C.R.S.
- **Door Frame** – .050" extruded aluminum, flat with mitered corners. Fully enclosed spring-loaded cam latches and T-type hinges. Door frame and lens are grounded to the fixture housing.
- **Shielding** – Clear acrylic asymmetric lens with radio suppression grid.
- **Finish** – 92% minimum average reflective white anti-microbial powder coating bonded to phosphate-free, multi-stage pretreated metal.
- **Electrical** – Electronic ballast standard, instant start T8, rated Class P.
- **Mounting** – NEMA Type "G" for 15/16", 1-1/2", and 2" grid ceiling systems. NEMA Type "F" available.
- **Labels** – UL/CUL listed as recessed fluorescent luminaire suitable for dry or damp locations.

FEATURES

- Grid fixture designed exclusively for hospitals and medical facilities utilizing 15/16", 1-1/2", and 2" face T-bars.
- Anti-microbial powder coating (standard) prevents the spread of dangerous micro-organisms and suppresses the growth of mold and bacteria.
- Endplate is designed to clear a 2" tall T-bar.
- Provides auxiliary operating table illumination from perimeter of surgery area.
- Reduces intense contrast between surgery and work area lighting.
- Supplies uniform ambient illumination for the remainder of the surgery room.
- Optional triple gasket to protect against contaminants.
- All parts painted after fabrication to facilitate installation, increase efficiency, and inhibit corrosion.
- This fixture is proudly made in the USA.

ORDERING INFORMATION

Submittal

EXAMPLE: **MDS** **G** - **S** **1** **4** - **2** **32** - **F** **ASYIRF125** - **OPTIONS** - **EB2** - **UNV**

SERIES	MDS Medical/Surgical Troffer
CEILING TYPE	G NEMA Type "G" F NEMA Type "F"
FIXTURE STYLE	S Static
NOMINAL WIDTH	1 1'
NOMINAL LENGTH	4 4'

TOTAL LAMPS	2 or 3
LAMP WATTAGE/TYPE	32 4', 32-watt T8
DOOR FRAME	F White flat aluminum
SHIELDING	ASYIRF125 Clear acrylic asymmetric lens with radio suppression grid
OPTIONS	SUPPRESSOR Radio interference filter TG/MYLAR Triple gasket F338 6', 3/8" flex, 3-conductor, No. 18 AWG

BALLAST TYPE	EB2 2-lamp electronic ballast EB3 3-lamp electronic ballast EB2/1 (1) 2-lamp & (1) 1-lamp electronic ballast
VOLTAGE	120 120V 277 277V UNV 120-277V 347 347V

Note: For more options/accessories, ballast combinations, and product details, please consult factory.

For generic EM ballast options, see Fluorescent information section.



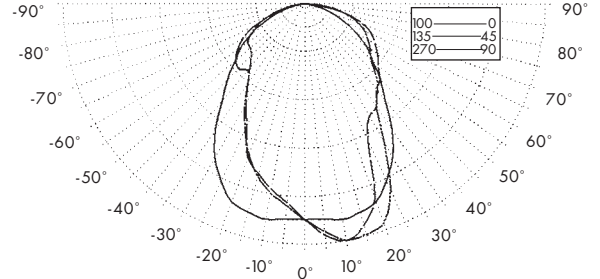
FLUORESCENT LIGHTING

Williams Catalog #MDS-S14-232-FASYIRF125
Test Report #12644.0, Dated 03/31/05

Lamp Type: F32T8/835
Lamp Quantity: 2

CANDLEPOWER DISTRIBUTION

VERT. ANG.	HORIZONTAL ANGLE					ZONAL	LUMENS
	0	45	90	135	180		
0	1972.	1972.	1972.	1972.	1972.	1972.	188.2
5	2123.	2090.	1974.	1853.	1823.	1823.	188.2
15	2106.	2184.	1972.	1631.	1607.	1607.	539.4
25	1381.	1880.	1786.	1269.	1228.	1228.	719.5
35	1156.	1152.	1408.	893.	886.	886.	720.2
45	983.	934.	987.	680.	845.	845.	709.6
55	823.	738.	697.	625.	738.	738.	616.8
65	685.	610.	411.	465.	513.	513.	503.0
75	433.	413.	168.	230.	245.	245.	312.6
85	92.	140.	30.	58.	58.	58.	86.2
90	0.	0.	0.	0.	0.	0.	



LUMEN SUMMARY

ZONE	LUMENS	% LAMP	% FIXTURE
0 - 30	1447.	24.5	32.9
0 - 40	2167.	36.7	49.3
0 - 60	3494.	59.2	79.5
0 - 90	4396.	74.5	100.0
90 - 120	0.	0.0	0.0
90 - 130	0.	0.0	0.0
90 - 150	0.	0.0	0.0
90 - 180	0.	0.0	0.0
0 - 180	4396.	74.5	100.0

ZONAL CAVITY COEFFICIENTS

EFFECTIVE FLOOR CAVITY REFL. = .20

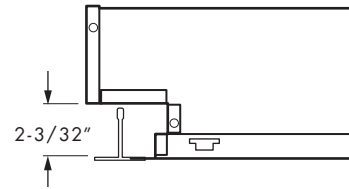
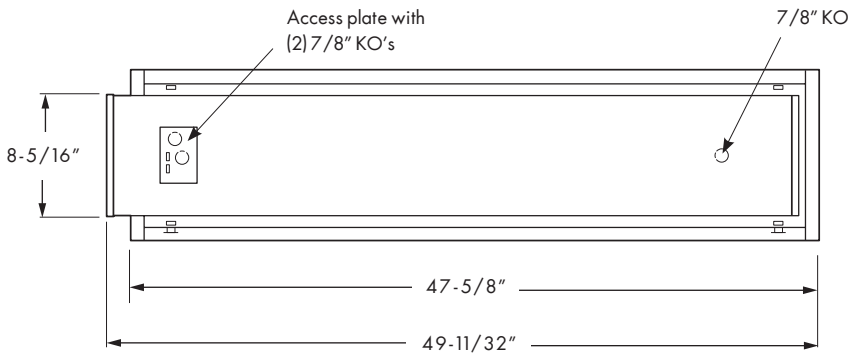
CEILING	.80			.70			.50		
WALL RCR	.70	.50	.30	.70	.50	.30	.50	.30	.10
0	89	89	89	87	87	87	83	83	83
1	82	79	76	80	77	74	74	72	70
2	75	69	65	73	68	64	65	62	59
3	69	62	56	67	61	56	59	54	50
4	64	55	49	62	54	49	53	48	44
5	58	49	43	57	48	43	47	42	38
6	54	45	38	53	44	38	43	37	33
7	50	40	34	49	40	34	39	33	29
8	46	36	30	45	36	30	35	30	26
9	43	33	27	42	33	27	32	26	23
10	40	30	24	39	30	24	29	24	20

TOTAL LUMINAIRE

OPTICAL EFFICIENCY = 74.5%

SPACING CRITERIA: END = 1.2 DIAG. = 0.6 ACROSS = 0.4

BACK VIEW



One end of the fixture has an overhang that provides easy lamp access.



H. E. WILLIAMS, INC.