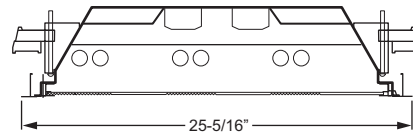
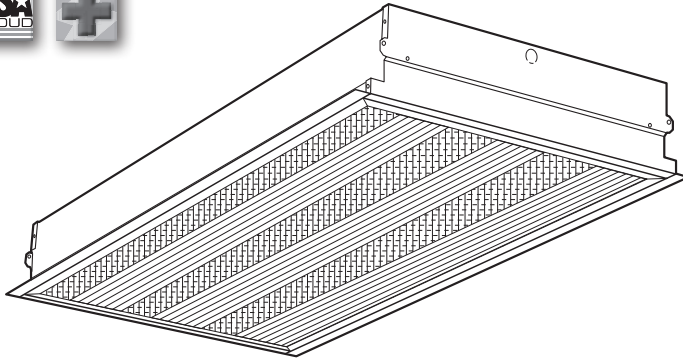


2' x 2' & 2' x 4' MEDICAL SURGICAL TROFFER

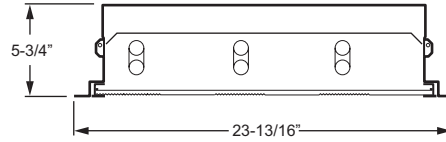
MDS

SERIES VOLT TYPE JOB

FOR WIDE GRID CEILING SYSTEMS



T8 shown with NEMA Type "F"



Twin Tube shown with NEMA Type "G"

SPECIFICATIONS

- **Housing** – 20-gauge die-formed C.R.S.
- **Door Frame** – .050" extruded aluminum, flat with mitered corners. Fully enclosed spring-loaded cam latches and T-type hinges. Door frame and lens are grounded to the fixture housing.
- **Shielding** – One-piece clear acrylic directional lens with radio suppression grid (KSH®-34 RF), nominal .150" thick.
- **Finish** – 92% minimum average reflective white anti-microbial powder coating bonded to phosphate-free, multi-stage pretreated metal.
- **Electrical** – Electronic ballast standard, instant start T8, rated Class P.
- **Mounting** – NEMA Type "G" for 15/16", 1-1/2", and 2" grid ceiling systems. NEMA Type "F" available.
- **Labels** – UL/CUL listed as recessed fluorescent luminaire suitable for dry or damp locations.

FEATURES

- Grid fixture designed exclusively for hospitals and medical facilities utilizing 15/16", 1-1/2", and 2" face T-bars.
- Anti-microbial powder coating (standard) prevents the spread of dangerous micro-organisms and suppresses the growth of mold and bacteria.
- Endplate is designed to clear a 2" tall T-bar.
- Provides auxiliary operating table illumination from perimeter of surgery area.
- Reduces intense contrast between surgery and work area lighting.
- Supplies uniform ambient illumination for the remainder of the surgery room.
- Optional triple gasket to protect against contaminants.
- All parts painted after fabrication to facilitate installation, increase efficiency, and inhibit corrosion.
- This fixture is proudly made in the USA.

ORDERING INFORMATION

Submittal

EXAMPLE: **MDS** **G** - **S** **2** **4** - **6** **32** - **F** **KSH-34RF** - **OPTIONS** - **EB3/3** - **UNV**

SERIES	MDS Medical/Surgical Troffer
CEILING TYPE	G NEMA Type "G" F NEMA Type "F"
FIXTURE STYLE	S Static
NOMINAL WIDTH	2 2'
NOMINAL LENGTH	2 2' 4 4'
TOTAL LAMPS	3 or 6

2'x2' LAMP WATTAGE/TYPE	17 2', 17-watt T8 40TTOU 2', 40-watt long twin tube, over-under (3-lamp cross-section)
2'x4' LAMP WATTAGE/TYPE	32 4', 32-watt T8
DOOR FRAME	F White flat aluminum
SHIELDING	KSH-34RF One-piece clear acrylic directional lens, .150" thick with radio suppression grid.

Note: For more options/accessories, ballast combinations, and product details, please consult factory.

OPTIONS	SUPPRESSOR Radio interference filter TG/MYLAR Triple gasket F338 6', 3/8" flex, 3-conductor, No. 18 AWG
For generic EM ballast options, see Fluorescent information section.	
BALLAST TYPE	EB3 3-lamp electronic ballast EB3/3 (2) 3-lamp electronic ballasts EB4/2 (1) 4-lamp & (1) 2-lamp electronic ballast
VOLTAGE	120 120V 277 277V UNV 120-277V 347 347V
Consult factory for other voltages.	



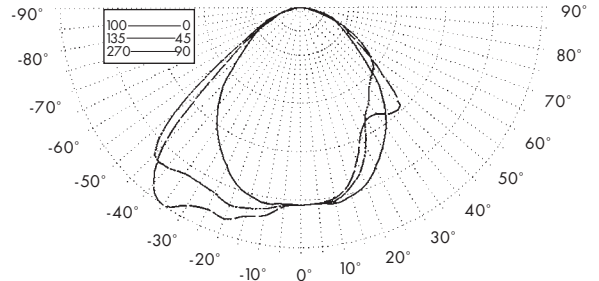
FLUORESCENT LIGHTING

Williams Catalog #MDS-S24-632-FKSH-34RF
 Test Report #12645.0, Dated 03/31/05

Lamp Type: F32T8/835
 Lamp Quantity: 6

CANDLEPOWER DISTRIBUTION

VERT. ANG.	HORIZONTAL ANGLE					LUMENS
	0	45	90	135	180	
0	5242.	5242.	5242.	5242.	5242.	
5	5292.	5261.	5215.	5204.	5200.	499.6
15	5720.	5491.	5162.	4948.	4856.	1478.4
25	5888.	5422.	4661.	4035.	3733.	2181.5
35	6377.	5353.	3905.	3106.	3473.	2714.0
45	5135.	5483.	2896.	2617.	3702.	3040.5
55	2178.	2800.	1704.	2227.	2155.	2078.0
65	970.	1165.	1123.	1348.	1280.	1216.9
75	527.	496.	470.	661.	714.	607.8
85	171.	156.	87.	168.	194.	166.4
90	0.	0.	0.	0.	0.	



LUMEN SUMMARY

ZONE	LUMENS	% LAMP	% FIXTURE
0 - 30	4159.	23.5	29.7
0 - 40	6873.	38.8	49.2
0 - 60	11992.	67.8	85.8
0 - 90	13983.	79.0	100.0
90 - 120	0.	0.0	0.0
90 - 130	0.	0.0	0.0
90 - 150	0.	0.0	0.0
90 - 180	0.	0.0	0.0
0 - 180	13983.	79.0	100.0

ZONAL CAVITY COEFFICIENTS

EFFECTIVE FLOOR CAVITY REFL. = .20

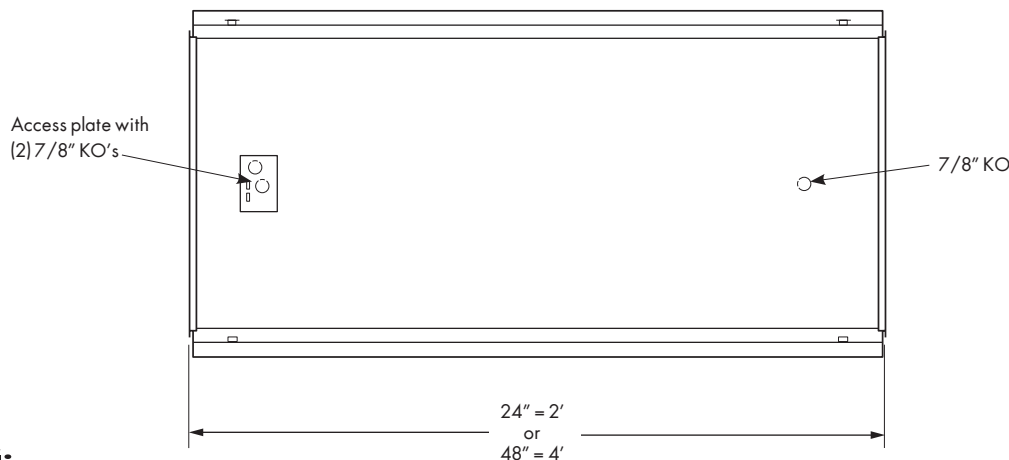
CEILING	.80			.70			.50		
WALL RCR	.70	.50	.30	.70	.50	.30	.50	.30	.10
0	.94	.94	.94	.92	.92	.92	.88	.88	.88
1	.87	.84	.81	.85	.82	.80	.79	.77	.75
2	.81	.75	.70	.79	.74	.69	.71	.67	.64
3	.74	.67	.61	.73	.66	.61	.64	.59	.55
4	.68	.60	.54	.67	.59	.53	.57	.52	.48
5	.63	.53	.47	.61	.53	.46	.51	.45	.41
6	.58	.48	.41	.56	.47	.41	.46	.40	.36
7	.53	.43	.36	.52	.42	.36	.41	.36	.31
8	.49	.39	.32	.48	.38	.32	.37	.31	.27
9	.45	.34	.28	.44	.34	.28	.33	.27	.23
10	.42	.31	.25	.41	.31	.25	.30	.24	.21

TOTAL LUMINAIRE

OPTICAL EFFICIENCY = 79.0%

SPACING CRITERIA: END = 1.2 DIAG. = 0.6 ACROSS = 0.4

BACK VIEW



H. E. WILLIAMS, INC.