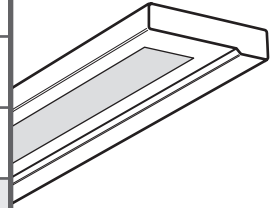


LUMINOUS ACRYLIC FLAT PANEL WALL

FPW



SUBMITTAL:

JOB:

TYPE:

VOLTAGE:

EXAMPLE

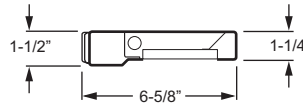
FPW - 4 - 1 54T5H - F - OPTIONS - EB1 - UNV

SERIES NOMINAL LENGTH TOTAL LAMPS WATTAGE/TYPE FIXTURE TYPE OPTIONS BALLAST TYPE VOLTAGE



FEATURES

- ▶ Lightly patterned acrylic captures and uniformly distributes light from T5 lamps concealed within the 1-1/2" deep housing.
- ▶ Concealed mounting bracket allows for quick and easy mounting while providing a "floating" effect.
- ▶ T5HO lamps maintain 95% of their original output and provide good color rendition.
- ▶ Contemporary architectural design.
- ▶ Self-aligning joining method ensures straight continuous rows.
- ▶ All parts painted after fabrication to facilitate installation, increase efficiency, and inhibit corrosion.
- ▶ Custom colors available.
- ▶ This fixture is proudly made in the USA.



SPECIFICATIONS

Housing – Heavy-gauge die-formed C.R.S.
Reflective Surfaces – 92% minimum average reflective white polyester powder coat on interior components.
Shielding – Patterned acrylic, 0.375" thick.
Finish – Textured matte white polyester TGIC powder coat bonded to phosphate-free, multi-stage pretreated metal. All parts painted after fabrication to facilitate installation, increase efficiency, and inhibit corrosion.
Electrical – Electronic ballast standard, program start T5, rated Class P.
Mounting – Fixture attaches to powder coated die-formed C.R.S. bracket.
Labels – UL/CUL listed as fluorescent luminaire suitable for dry or damp locations.

ORDERING INFORMATION

SERIES

FPW Luminous Acrylic Flat Panel Wall

NOMINAL LENGTH

4 4'
8 8'

TOTAL LAMPS

1 or 2 (1-lamp cross-section)

LAMP WATTAGE/TYPE

28T5S 4', 28-watt T5
54T5H 4', 54-watt T5HO

FIXTURE TYPE

F Electrical feeder unit, single-circuit quick-connect wiring harness, two end caps included
J Joiner unit, single-circuit quick-connect wiring harness

OPTIONS

For generic EM ballast options (must specify voltage), see Information section. Ballast size restricted to maximum ballast cross-section of 1-1/4" H x 1-3/4" W.

C2 Two-circuit quick-connect wiring harness. For complete quick-connect offering, see Information section.

BALLAST TYPE

Ballast size restricted to maximum ballast cross-section of 1-1/4" H x 1-3/4" W.

See Information section for complete ballast offering.

EB1 1-lamp electronic ballast
EB2 2-lamp electronic ballast

VOLTAGE

120 120V
277 277V
UNV 120-277V
347 347V

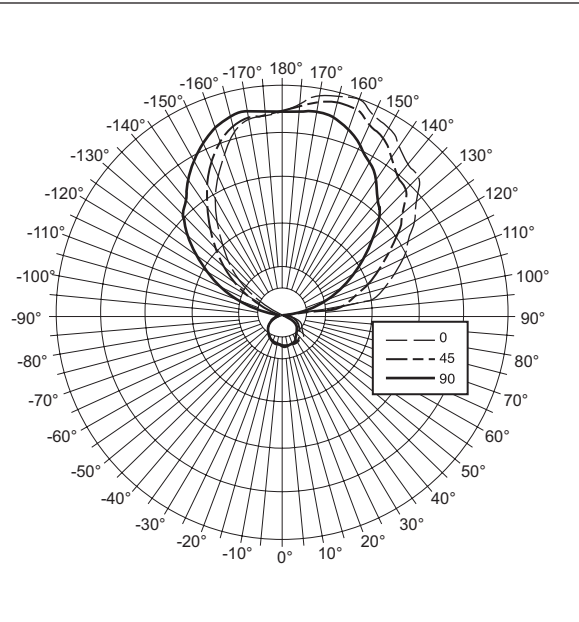
TEST REPORT INFORMATION

- ▶ Test Report #: 12833.0
- ▶ Date: 09/21/05
- ▶ Lamp Type: FP54T5HO/835
- ▶ Lamp Quantity: 1

PHOTOMETRY INFORMATION

CANDLEPOWER DISTRIBUTION

Vertical Angle	Horizontal Angle			Zonal Lumens
	0°	45°	90°	
0°	157.	157.	157.	
5°	162.	162.	158.	14.8
15°	158.	171.	149.	45.1
25°	168.	158.	148.	66.0
35°	152.	155.	122.	88.6
45°	153.	130.	107.	89.3
55°	125.	112.	72.	81.0
65°	110.	89.	49.	64.8
75°	79.	61.	19.	41.0
85°	23.	18.	0.	8.5
90°	1.	0.	0.	
95°	167.	198.	33.	86.7
105°	531.	393.	175.	229.3
115°	673.	547.	349.	347.9
125°	808.	713.	516.	452.2
135°	972.	886.	698.	532.0
145°	1028.	962.	817.	510.9
155°	1100.	1052.	933.	433.6
165°	1139.	1103.	1025.	293.9
175°	1075.	1055.	1032.	98.6
180°	1033.	1033.	1033.	



LUMEN SUMMARY

Zone	Lumens	% Lamp	% Fixture
0 - 30	126.	2.5	3.6
0 - 40	214.	4.3	6.2
0 - 60	385.	7.7	11.0
0 - 90	499.	10.0	14.3
90 - 120	664.	13.3	19.1
90 - 130	1116.	22.3	32.0
90 - 150	2159.	43.2	62.0
90 - 180	2985.	59.7	85.7
Total Luminaire:			
0 - 180	3484.	69.7	100.0

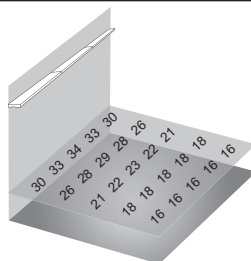
Total Luminaire Optical Efficiency: **69.7%**

ZONAL CAVITY COEFFICIENTS

	Ceiling	.80			.70			.50		
	Wall	.70	.50	.30	.70	.50	.30	.50	.30	.10
Room Cavity Ratio	0	.69	.69	.69	.60	.60	.60	.44	.44	.44
	1	.63	.60	.57	.55	.52	.50	.39	.37	.36
	2	.57	.52	.48	.50	.46	.42	.34	.32	.30
	3	.52	.46	.41	.45	.40	.36	.30	.27	.25
	4	.47	.40	.35	.41	.35	.31	.26	.23	.21
	5	.43	.36	.30	.38	.31	.27	.23	.20	.18
	6	.40	.32	.27	.35	.28	.24	.21	.18	.16
	7	.37	.29	.24	.32	.25	.21	.19	.16	.14
	8	.34	.26	.21	.30	.23	.19	.17	.14	.12
	9	.32	.24	.19	.28	.21	.17	.16	.13	.11
10	.29	.22	.17	.26	.19	.15	.14	.11	.09	

Effective Floor Cavity Reflectance = .20

FOOTCANDLE ESTIMATOR



Footcandle calculations based on standard reflectance of 80/50/20 and a light loss factor of .85.

Fixtures installed at 8' mounting height in 12' x 12' room with 10'-0" ceiling. Values shown are at 30" work surface height.