

# SUPPLEMENTAL PHOTOMETRY INFORMATION

SERIES

**BAT**

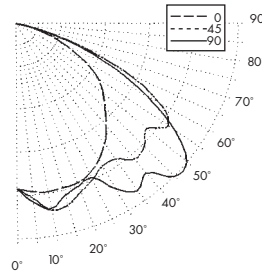
**Description:** 1/100W Icetron Induction Lamp 20 x 15" Arealight Luminaire  
 Highly Specular Flood Optics w/Clear Flat Glass Lens  
 Sylvania Ballast #QT 1x150ICE/UNV-T

**Infinity Catalog #**BAT/CG1  
**Test Report #**12446.0  
**Date:** 11/11/04

**Lamp Type:** ICETRON 100-2P/QT150  
**Lamp Quantity:** 1  
**Rated Lumens:** 11000.

## CANDLEPOWER DISTRIBUTION

VERT. ANG.	HORIZONTAL ANGLE			ZONAL LUMENS
	0	45	90	
0	2187.	2187.	2187.	
5	2226.	2313.	2366.	220.2
15	2245.	2481.	2351.	682.7
25	2192.	2279.	2248.	1056.0
35	1957.	2187.	2691.	1450.2
45	1603.	2315.	2849.	1762.2
55	1277.	2372.	2472.	1955.0
65	717.	1593.	1357.	1378.0
75	218.	336.	279.	349.5
85	5.	10.	7.	9.0
90	0.	0.	0.	



## ZONAL CAVITY COEFFICIENTS

EFFECTIVE FLOOR CAVITY REFL. = .20

CEILING WALL RCR	.80			.70			.50		
	.70	.50	.30	.70	.50	.30	.50	.30	.10
0	.96	.96	.96	.94	.94	.94	.90	.90	.90
1	.89	.85	.82	.87	.83	.81	.80	.78	.76
2	.81	.75	.70	.79	.73	.69	.71	.67	.63
3	.74	.66	.60	.72	.65	.59	.62	.57	.53
4	.67	.58	.51	.66	.57	.50	.55	.49	.45
5	.61	.50	.43	.59	.50	.43	.48	.42	.37
6	.55	.44	.37	.54	.44	.37	.42	.36	.31
7	.51	.39	.32	.49	.39	.32	.37	.31	.27
8	.46	.35	.28	.45	.34	.28	.33	.27	.23
9	.42	.31	.24	.41	.30	.24	.29	.23	.19
10	.39	.28	.21	.38	.28	.21	.27	.21	.17

## LUMEN SUMMARY

ZONE	LUMENS	% LAMP	% FIXTURE
0 - 30	1959.	17.8	22.1
0 - 40	3409.	31.0	38.5
0 - 60	7126.	64.8	80.6
0 - 90	8863.	80.6	100.0
TOTAL LUMINAIRE:			
0 - 180	8863.	80.6	100.0

SPACING CRITERIA: END = 1.4 DIAG. = 1.6 ACROSS = 1.8

## FIXTURE QUANTITY ESTIMATOR TABLES

REFLECTANCE: Ceiling = 80%  
 Walls = 50%  
 Floor = 20%

LIGHT LOSS FACTOR: 1.0

Room Size - 15' Ceiling	50 ftc	75 ftc	100 ftc
Small - 900 Sq Ft	7	11	14
Medium - 1600 Sq Ft	13	19	26
Large - 2500 Sq Ft	20	30	40

## LIGHT CONE QUICK CALCULATOR TABLES

MNT HGT-FT	FC at		Cone Dia.		
	Edge of Cone	Nadir	End	Diagonal	Cross
8	17.1	34.2	11.2	12.8	14.4
10	10.9	21.9	14.0	16.0	18.0
12	7.6	15.2	16.8	19.2	21.6
14	5.6	11.2	19.6	22.4	25.2
16	4.3	8.5	22.4	25.6	28.8
18	3.4	6.8	25.2	28.8	32.4
20	2.7	5.5	28.0	32.0	36.0

## LUMINANCE DATA (cd/sq.m)

VERT ANG	HORIZONTAL ANGLE		
	0	45	90
45	20408.	29473.	36271.
55	20042.	37228.	38798.
65	15273.	33933.	28906.
75	7582.	11687.	9704.
85	516.	1033.	723.

MAXIMUM BRIGHTNESS NOT MEASURED



OUTDOOR LIGHTING  
 HEWJP55516 06/11/09JJ

**T3D/  
FWN**

SERIES

**SUPPLEMENTAL PHOTOMETRY INFORMATION**

**Description:** 1/100W Icteron Induction Lamp 20 x 15" Arealight Luminaire  
Highly Specular Flood Optics w/Clear Flat Glass Lens  
Sylvania Ballast #QT 1x150ICE/UNV-T

**Infinity Catalog #T3D/CG1**

**Test Report #12788.0**

**Date:** 08/11/05

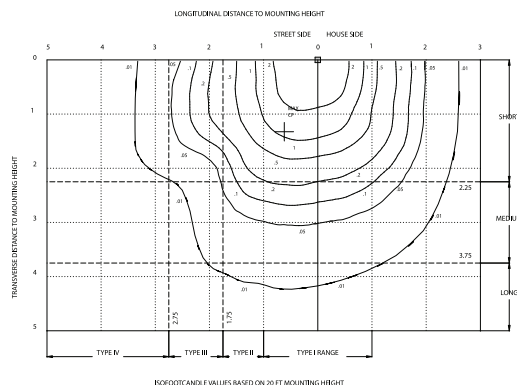
**Lamp Type:** ICETRON 100-2P/QT150

**Lamp Quantity:** 1

**Rated Lumens:** 11000.

**CANDLEPOWER DISTRIBUTION**

VERT. ANG.	HORIZONTAL ANGLE					TOTAL LUMENS
	0	45	90	135	180	
0	1789.	1789.	1789.	1789.	1789.	
5	1841.	1794.	1735.	1735.	1742.	360.9
15	1979.	1893.	1797.	1725.	1623.	1087.2
25	2025.	1995.	1868.	1590.	1354.	1714.8
35	1867.	2145.	1983.	1511.	1040.	2096.0
45	1551.	2221.	1805.	1230.	722.	2654.4
55	1208.	2135.	2151.	993.	421.	1891.9
65	637.	948.	1288.	626.	159.	1213.5
75	89.	0.	386.	112.	14.	573.1
85	7.	9.	10.	8.	6.	148.7
90	0.	0.	0.	0.	0.	



**Description:** 1/100W Icteron Induction Lamp 20 x 15" Area Light Luminaire  
White Sided MIRO 4 Spec Asymm Optics w/Internal Microprism Lens  
Sylvania Ballast #QT 1x150ICE/UNV-T

**Infinity Catalog #FWN/CG1**

**Test Report #12550.0**

**Date:** 01/27/05

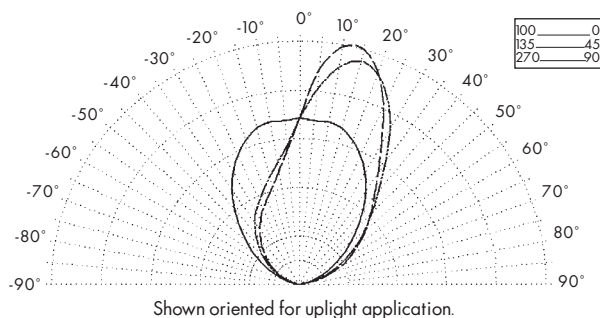
**Lamp Type:** ICETRON 100/QT150

**Lamp Quantity:** 1

**Rated Lumens:** 11000.

**CANDLEPOWER DISTRIBUTION**

VERT. ANG.	HORIZONTAL ANGLE			ZONAL LUMENS
	0	45	90	
0	3920.	3920.	3920.	
5	5070.	4603.	3858.	378.0
15	5718.	5431.	3798.	1124.7
25	4637.	4849.	3348.	1583.6
35	3212.	3498.	2703.	1632.7
45	2348.	2396.	1930.	1446.1
55	1716.	1627.	1257.	1128.0
65	1130.	964.	675.	717.7
75	481.	394.	263.	298.6
85	42.	31.	21.	21.0
90	0.	0.	0.	

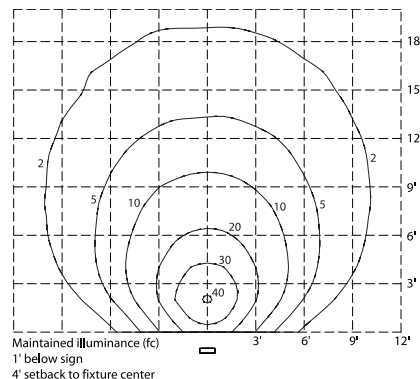


Shown oriented for uplight application.

**LUMEN SUMMARY**

ZONE	LUMENS	% LAMP	% FIXTURE
0 - 30	3086.	28.1	37.0
0 - 40	4719.	42.9	56.6
0 - 60	7293.	66.3	87.5
0 - 90	8330.	75.7	100.0
TOTAL LUMINAIRE:			
0 - 180	8330.	75.7	100.0

SPACING CRITERIA: END = 1.4 DIAG. = 1.3 ACROSS = 1.1



Maintained Illuminance (fc)  
1' below sign  
4' setback to fixture center



OUTDOOR LIGHTING

H.E. Williams, Inc. • Carthage, Missouri • [www.hewilliams.com](http://www.hewilliams.com) • 417-358-4065 • Fax: 417-358-6015  
Information contained herein is subject to change without notice. HEWJP55516 06/11/09JJ

# SUPPLEMENTAL PHOTOMETRY INFORMATION

SERIES

**FWW**

**Description:** 1/100W Icetron Induction Lamp 20 x 15" Area Light Luminaire  
 White Sided MIRO 4 Spec Asymm Optics w/Internal Microprism Lens  
 Sylvania Ballast #QT 1x150ICE/UNV-T

**Infinity Catalog #FWW/CG1**

**Lamp Type:** ICETRON 100/QT150

**Test Report #12641**

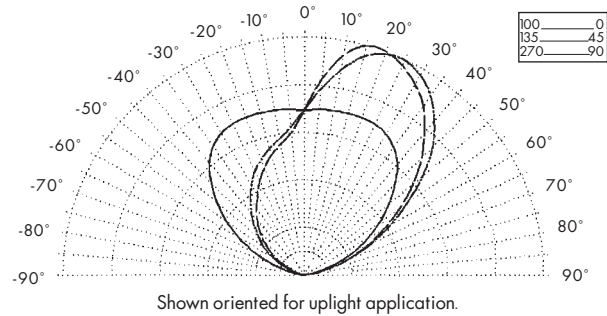
**Lamp Quantity:** 1

**Date:** 03/30/05

**Rated Lumens:** 11000.

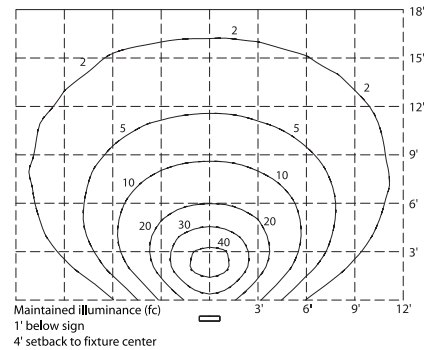
## CANDLEPOWER DISTRIBUTION

VERT. ANG.	HORIZONTAL ANGLE			ZONAL LUMENS
	0	45	90	
0	2644.	2644.	2644.	
5	3144.	2995.	2666.	256.7
15	3808.	3620.	2686.	801.6
25	3712.	3800.	2667.	1277.2
35	3329.	3529.	2511.	1564.2
45	2667.	2913.	2071.	1552.4
55	1897.	2036.	1497.	1253.1
65	1138.	1206.	889.	787.6
75	464.	468.	343.	320.5
85	43.	37.	20.	22.4
90	0.	0.	0.	



## LUMEN SUMMARY

ZONE	LUMENS	% LAMP	% FIXTURE
0 - 30	2335.	21.2	29.8
0 - 40	3900.	35.5	49.8
0 - 60	6705.	61.0	85.6
0 - 90	7836.	71.2	100.0
<b>TOTAL LUMINAIRE:</b>			
0 - 180	7836.	71.2	100.0



SPACING CRITERIA: END = 1.4 DIAG. = 1.3 ACROSS = 1.1



**Williams**  
 OUTDOOR LIGHTING  
 HEWJP55516 06/11/09JJ

# SUPPLEMENTAL PHOTOMETRY INFORMATION

SERIES **ICEAL8  
BAT**

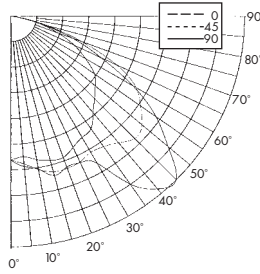
**Description:** 2/100W Ictron Induction Lamps 20 x 15" Area Light Luminaire  
White Sided MIRO 4 Spec Asymm Optics w/Internal Microprism Lens  
Sylvania Ballast #QT 1x150ICE/UNV-T

**Infinity Catalog #**ICEAL8-2x150S-BAT/CG1  
**Test Report #**W00011  
**Date:** 04/06/06

**Lamp Type:** ICETRON 100-2P/QT150  
**Lamp Quantity:** 2  
**Rated Lumens:** 11000.

## CANDLEPOWER DISTRIBUTION

VERT. ANG.	HORIZONTAL ANGLE			ZONAL LUMENS
	0	45	90	
0	3684.	3684.	3684.	
5	3859.	3793.	3611.	181.3
15	4218.	4116.	3812.	575.7
25	4126.	4106.	3700.	935.4
35	5229.	4067.	3512.	1333.0
45	5901.	4416.	2978.	1727.4
55	4478.	3993.	2570.	1731.3
65	2521.	2950.	1769.	1296.7
75	817.	989.	764.	499.5
85	41.	42.	62.	28.7
90	9.	7.	13.	



## ZONAL CAVITY COEFFICIENTS

EFFECTIVE FLOOR CAVITY REFL. = .20

CEILING WALL RCR	.80			.70			.50		
	.70	.50	.30	.70	.50	.30	.50	.30	.10
0	.89	.89	.89	.87	.87	.87	.83	.83	.83
1	.82	.78	.75	.80	.76	.73	.73	.71	.68
2	.74	.67	.62	.72	.66	.61	.63	.59	.55
3	.67	.58	.52	.65	.57	.51	.55	.50	.45
4	.60	.51	.44	.59	.50	.43	.48	.42	.38
5	.55	.45	.38	.53	.44	.37	.42	.36	.32
6	.50	.40	.33	.49	.39	.32	.38	.32	.27
7	.46	.36	.29	.45	.35	.28	.34	.28	.23
8	.43	.32	.25	.42	.32	.25	.31	.25	.20
9	.40	.29	.23	.39	.29	.22	.28	.22	.18
10	.37	.27	.20	.36	.26	.20	.25	.20	.16

## LUMEN SUMMARY

ZONE	LUMENS	% LAMP	% FIXTURE
0 - 30	3381.	15.4	20.4
0 - 40	6051.	27.5	36.5
0 - 60	12867.	58.5	77.6
0 - 90	16576.	75.3	100.0
TOTAL LUMINAIRE:			
0 - 180	16578.	75.4	100.0

SPACING CRITERIA: END = 2.1 DIAG. = 1.7 ACROSS = 1.4

## FIXTURE QUANTITY ESTIMATOR TABLES

REFLECTANCE: Ceiling = 80%  
Walls = 50%  
Floor = 20%

LIGHT LOSS FACTOR: 1.0

Room Size - 15' Ceiling	50 ftc	75 ftc	100 ftc
Small - 900 Sq Ft	4	6	8
Medium - 1600 Sq Ft	7	11	15
Large - 2500 Sq Ft	11	17	23

## LIGHT CONE QUICK CALCULATOR TABLES

MNT HGT-FT	FC at Edge of Cone	FC at Nadir	Cone Dia.		
			End	Diagonal	Cross
8	28.8	57.6	16.8	13.6	11.2
10	18.4	36.8	21.0	17.0	14.0
12	12.8	25.6	25.2	20.4	16.8
14	9.4	18.8	29.4	23.8	19.6
16	7.2	14.4	33.6	27.2	22.4
18	5.7	11.4	37.8	30.6	25.2
20	4.6	9.2	42.0	34.0	28.0

## LUMINANCE DATA (cd/sq.m)

VERT ANG	HORIZONTAL ANGLE		
	0	45	90
45	16584.	12411.	9200.
55	14557.	12982.	9505.
65	10078.	11798.	8466.
75	4418.	5348.	5414.
85	364.	372.	911.

MAXIMUM BRIGHTNESS NOT MEASURED



OUTDOOR LIGHTING

H.E. Williams, Inc. • Carthage, Missouri • [www.hewilliams.com](http://www.hewilliams.com) • 417-358-4065 • Fax: 417-358-6015  
Information contained herein is subject to change without notice. HEWJP55516 06/11/09JJ