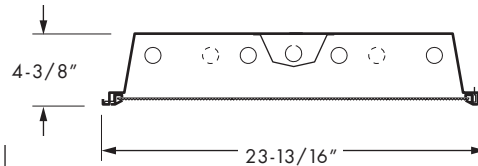
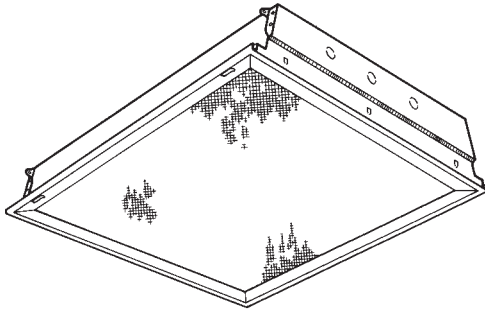


2' x 2' IC RATED TROFFER

SERIES **50**
IC Rated

VOLTAGE TYPE JOB _____



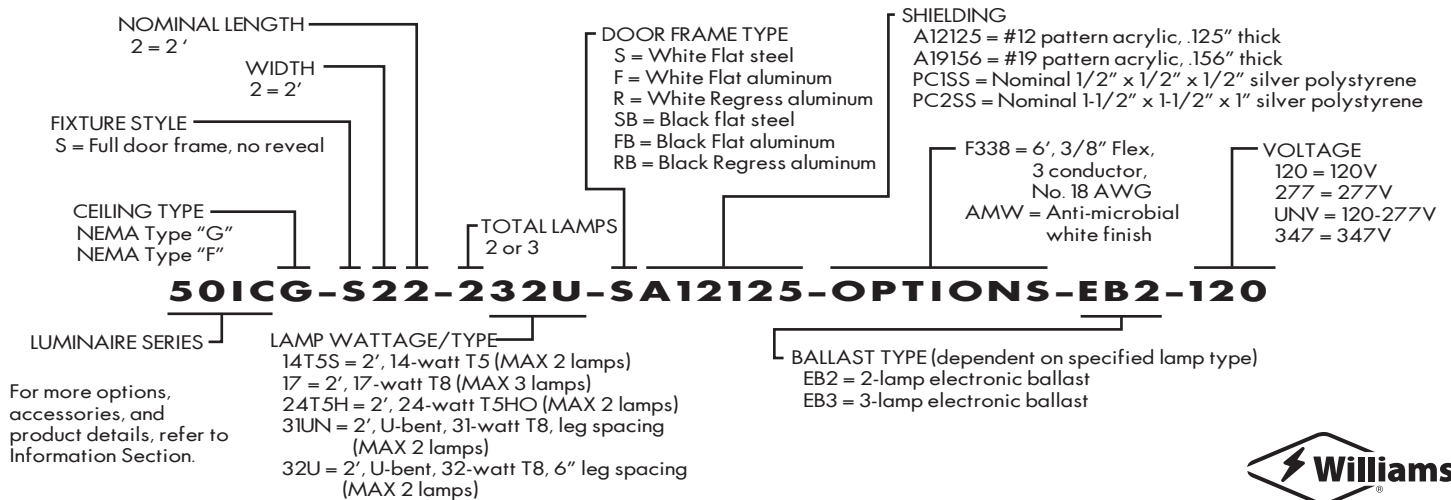
SPECIFICATIONS

- **Housing** – 22-gauge die-formed C.R.S.
- **Door Frame** – 20-gauge C.R.S. or .050" extruded aluminum, flat or regress, with mitered corners.
- **Shielding** – #12 pattern, .125" acrylic overlay standard—other patterns and thicknesses available.
- **Finish** – 92% minimum average reflective white powder coat with multi-stage iron/phosphate prepared metal.
- **Electrical** – Electronic ballast standard, either instant start or programmed start, rated Class P.
- **Labels** – UL/CUL listed as recessed fluorescent luminaire suitable for dry or damp locations. Type IC - rated for direct contact with insulation.
- **Mounting** – NEMA Type "G" standard. NEMA Type "F" available.

FEATURES

- Thermally protected for use in direct contact with insulation.
- Fully-enclosed spring-loaded cam latches allow years of hassle-free maintenance.
- T-slot steel hinge ensures positive retention when door is opened.
- T-slot steel hinge allows reversible hinging and latching.
- 4-3/8" deep housing eliminates lens shadowing.
- Deep reinforcement ribs provide added strength.
- Rolled-edge channel adds superior strength.
- Optional anti-microbial powder coating available to prevent the spread of dangerous micro-organisms and suppress the growth of mold and bacteria.
- Integral T-bar clips quickly secure fixture to structure.
- Field convertible to NEMA Type "F".
- Fully gasketed door minimizes contaminants.
- All parts painted after fabrication to facilitate installation, increase efficiency, and inhibit corrosion.
- This fixture is proudly made in the USA.

SUBMITTAL INFORMATION



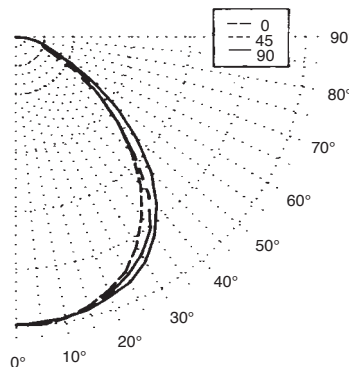
FLUORESCENT LIGHTING

Williams Catalog #50G-S22-232U-SA12125-EB2-120
 Test Report #8730.0, Dated 03/19/96

Lamp Type: FB032/835/6
 Lamp Quantity: 2

CANDLEPOWER DISTRIBUTION

VERT. ANG.	HORIZONTAL ANGLE			ZONAL LUMENS
	0	45	90	
0	1921.	1921.	1921.	
5	1929.	1913.	1908.	182.9
15	1858.	1864.	1880.	529.4
25	1721.	1750.	1798.	812.0
35	1458.	1558.	1607.	971.3
45	1087.	1117.	1272.	886.6
55	674.	672.	815.	635.1
65	367.	285.	391.	319.9
75	194.	182.	192.	197.6
85	77.	86.	79.	89.7
90	0.	0.	0.	



LUMEN SUMMARY

ZONE	LUMENS	% LAMP	% FIXTURE
0 - 30	1524.	26.7	33.0
0 - 40	2496.	43.8	54.0
0 - 60	4017.	70.5	86.9
0 - 90	4624.	81.1	100.0
90 - 120	0.	0.	0.
90 - 130	0.	0.	0.
90 - 150	0.	0.	0.
90 - 180	0.	0.	0.
Total Luminaire			
0-180	4624.	81.1	100.0

ZONAL CAVITY COEFFICIENTS

EFFECTIVE FLOOR CAVITY REFL. = .20

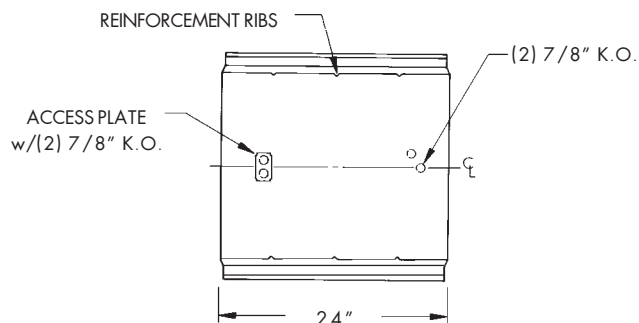
CEILING	.80			.70			.50			
	WALL RCR	.70	.50	.30	.70	.50	.30	.50	.30	.10
0		.97	.97	.97	.94	.94	.94	.90	.90	.90
1		.90	.86	.83	.88	.85	.82	.81	.79	.77
2		.83	.77	.73	.81	.76	.71	.73	.69	.66
3		.77	.69	.64	.75	.68	.63	.66	.61	.58
4		.71	.62	.56	.69	.61	.56	.59	.54	.50
5		.65	.56	.49	.64	.55	.49	.53	.48	.44
6		.60	.51	.44	.59	.50	.44	.48	.43	.39
7		.56	.46	.39	.55	.45	.39	.44	.38	.34
8		.52	.41	.35	.50	.41	.34	.39	.34	.30
9		.47	.37	.30	.46	.36	.30	.35	.30	.26
10		.44	.37	.27	.43	.33	.27	.32	.27	.23

TOTAL LUMINAIRE

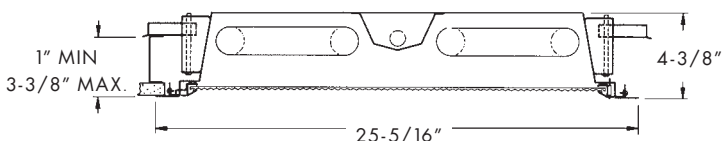
OPTICAL EFFICIENCY = 81.1 %

SPACING CRITERIA: ACROSS= 1.3 ALONG= 1.2

BACK VIEW



CROSS SECTION NEMA TYPE "F" INSTALLATION



MAXIMUM RECOMMENDED CEILING OPENING IS 24-3/8" X 24-3/8"



H. E. WILLIAMS, INC.