

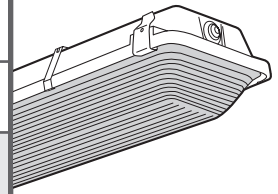
SUBMITTAL:

T5 | T8

JOB:

TYPE:

VOLTAGE:



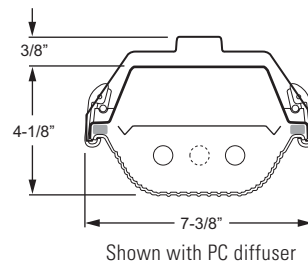
EXAMPLE → **96 - 4 - 2 54T5H - PC - OPTIONS - EB2 - UNV**

SERIES NOMINAL LENGTH TOTAL LAMPS WATTAGE/TYPE SHIELDING OPTIONS/ACCESSORIES BALLAST TYPE VOLTAGE



FEATURES

- ▶ Fully gasketed fixture resists dust, bugs, and moisture.
- ▶ Polycarbonate toggle latches (standard) ensure a tight seal and provide easy access to electrical components.
- ▶ Optional stainless steel, tamper-resistant stainless steel, or tamper-resistant polycarbonate latches available.
- ▶ Closed-cell polyurethane gasket poured and formed in place to ensure tight seal—does not absorb water or support fungal growth.
- ▶ NSF/ANSI Standard 2—Splash Zone certified.
- ▶ IP65 and IP67¹ certified.
- ▶ UL listed as fluorescent fixture suitable for wet locations² when ordered with factory-installed watertight hubs, STOW cord, or mini-male receptacle option.
- ▶ Can operate up to 40°C/104°F with high-ambient (HA/40C) option.³
- ▶ This fixture is proudly made in the USA.



ORDERING INFORMATION

SERIES	96 Fully Enclosed Industrial
--------	------------------------------

NOMINAL LENGTH	4 4'	8 8'
----------------	------	------

TOTAL LAMPS	1, 2, 3, 4, or 6 (1-, 2-, or 3-lamp cross-section)
-------------	--

LAMP WATTAGE/TYPE	28T5S 4', 28-watt T5	54T5H 4', 54-watt T5HO
	32 4', 32-watt T8	59 8', 59-watt T8

SHIELDING	PC Clear, 100% polycarbonate, injection-molded diffuser (standard in 4' units, not available in 8' units)
HIA High-impact injection-molded acrylic (standard in 8' units)	

OPTIONS/ACCESSORIES	For generic EM ballast options (must specify voltage), see Fluorescent Information section. ²
3WC6 3-wire, 6' STOW cord	
3WC20 3-wire, 20' STOW cord	
4WC6 4-wire, 6' STOW cord	
4WC20 4-wire, 20' STOW cord	
3WMR 3-wire mini-male receptacle only	
3WMRC6 3-wire mini-male receptacle with 6' STOW cord	
3WMRC20 3-wire mini-male receptacle with 20' STOW cord	
4WMR 4-wire mini-male receptacle only	
4WMRC6 4-wire mini-male receptacle with 6' STOW cord	
4WMRC20 4-wire mini-male receptacle with 20' STOW cord	

OPTIONS/ACCESSORIES (Continued)

WET/1 (1) 1/2" watertight hub (factory-installed in end of housing)
WET/2 (2) 1/2" watertight hubs (factory-installed in ends of housing)
SSCMB Stainless steel chain mounting brackets (2 per fixture)
OCC ___ ¹ Occupancy sensor must be specified from the following (specify voltage):
• OCCWS HB350W-L3W/120
• OCCWS HB350W-L3W/277
• OCCWS HB350W-L4W/120
• OCCWS HB350W-L4W/277
HA/40C ³ High-ambient, 40°C max. operating temp. ³
GMF ⁴ Fuse, slow blow (specify voltage) ⁴
GLR ⁴ Fuse, fast blow (specify voltage) ⁴
TP ⁵ Tamper-resistant polycarbonate latches ⁵
SS LATCH Stainless steel latches
TP/SS LATCH ⁵ Tamper-resistant stainless steel latches ⁵

BALLAST TYPE	EB1 1-lamp electronic ballast
EB2 2-lamp electronic ballast	
EB3 3-lamp electronic ballast	
EB4 4-lamp electronic ballast	
EB4/2 (1) 4-lamp and (1) 2-lamp electronic ballast	

VOLTAGE	120 120V
277 277V	
UNV 120-277V	
347 347V	
480 480V (T5HO only)	
HRV 347-480V (T5HO only)	

SPECIFICATIONS

Enclosure – Outer housing consists of 5VA (f1) fiberglass, rated for flame and weather resistance.

Internal Housing – 25-gauge die-formed C.R.S.

Latching – Injection-molded polycarbonate latches.

Reflective Surfaces – 92% minimum average reflective white polyester powder coat bonded to phosphate-free, multi-stage pretreated metal.

Shielding – Clear, 100% polycarbonate, UV stabilized, injection-molded diffuser.

Electrical – Electronic ballast standard, instant start T8, program start T5, rated Class P.

Mounting – Surface or suspended. Stainless steel ceiling mount bracket standard.

Labels & Certifications – UL/CUL listed as fluorescent luminaire suitable for dry or damp locations. UL/CUL listed as suitable for wet locations when specified with watertight hub, STOW cord, or mini-male receptacle option.² NSF/ANSI Standard 2—Splash Zone certified, IP65 and IP67¹ certified.

¹ IP67 not available with OCC ___ option.

² When specifying EM option (T5HO available up to 2-lamp cross-section only), EM ballast for enclosed and gasketed fixtures is required for fixture to be suitable for wet locations.

³ Amalgam lamps recommended. T5HO available up to 2-lamp cross-section only. HA/40C option not available with EM ballast.

⁴ Two (2) fuses required when specifying 208V or 240V.

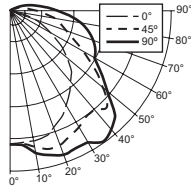
⁵ This option requires a tamper-resistant tool (must be ordered separately). Please specify quantity required per project.

PHOTOMETRY – T5

Catalog #: 96-4-254T5H-PC-EB2

TEST REPORT INFORMATION

- ▶ Test Report #: 13316.0
- ▶ Date: 11/01/06
- ▶ Lamp Type: FP54T5H0/835
- ▶ Lamp Quantity: 2



LUMEN SUMMARY

Zone	Lumens	% Lamp	% Fixture
0 - 30	1343.	13.4	20.2
0 - 40	2294.	22.9	34.5
0 - 60	4378.	43.8	65.9
0 - 90	6194.	61.9	93.2
90 - 120	426.	4.3	6.4
90 - 130	450.	4.5	6.8
90 - 150	455.	4.6	6.8
90 - 180	455.	4.6	6.8
Total Luminaire:			
0 - 180	6649.	66.5	100.0

Total Luminaire Optical Efficiency: **66.5%**
IES Spacing Criteria: End = 1.2, Diagonal = 1.5, Across = 1.7

CANDLEPOWER DISTRIBUTION

Vertical Angle	Horizontal Angle			Zonal Lumens
	0°	45°	90°	
0	1539.	1539.	1539.	
5	1525.	1535.	1558.	146.8
15	1506.	1653.	1723.	462.0
25	1367.	1597.	1748.	733.9
35	1174.	1501.	1846.	951.6
45	982.	1568.	1692.	1109.8
55	698.	1176.	1276.	974.3
65	421.	802.	1074.	791.2
75	169.	591.	917.	606.2
85	37.	398.	672.	417.7
90	18.	287.	539.	

ZONAL CAVITY COEFFICIENTS

Room Cavity Ratio	Ceiling			Wall			Floor		
	.80	.70	.50	.80	.70	.50	.80	.70	.50
0	.78	.78	.78	.76	.76	.76	.71	.71	.71
1	.70	.67	.63	.68	.65	.62	.61	.59	.56
2	.64	.58	.53	.61	.56	.52	.53	.49	.46
3	.58	.51	.45	.56	.49	.44	.47	.42	.38
4	.53	.45	.39	.51	.43	.38	.41	.36	.32
5	.48	.39	.33	.46	.38	.32	.36	.31	.27
6	.44	.35	.29	.42	.34	.28	.32	.27	.23
7	.41	.31	.25	.39	.30	.25	.29	.24	.20
8	.37	.28	.22	.36	.27	.22	.26	.21	.17
9	.34	.25	.19	.33	.24	.19	.23	.18	.15
10	.32	.23	.17	.31	.22	.17	.21	.16	.13

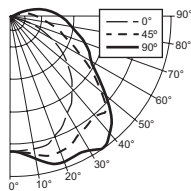
Effective Floor Cavity Reflectance = .20

PHOTOMETRY – T8

Catalog #: 96-4-232-PC-EB2

TEST REPORT INFORMATION

- ▶ Test Report #: 13317.0
- ▶ Date: 11/01/06
- ▶ Lamp Type: F32T8/835
- ▶ Lamp Quantity: 2



LUMEN SUMMARY

Zone	Lumens	% Lamp	% Fixture
0 - 30	912.	15.5	20.5
0 - 40	1560.	26.4	35.1
0 - 60	2933.	49.7	66.0
0 - 90	4082.	69.2	91.8
90 - 120	347.	5.9	7.8
90 - 130	362.	6.1	8.1
90 - 150	364.	6.2	8.2
90 - 180	364.	6.2	8.2
Total Luminaire:			
0 - 180	4446.	75.4	100.0

Total Luminaire Optical Efficiency: **75.4%**
IES Spacing Criteria: End = 1.2, Diagonal = 1.5, Across = 1.7

CANDLEPOWER DISTRIBUTION

Vertical Angle	Horizontal Angle			Zonal Lumens
	0°	45°	90°	
0	1039.	1039.	1039.	
5	1037.	1051.	1064.	100.3
15	1029.	1116.	1179.	314.6
25	933.	1092.	1181.	496.8
35	813.	1028.	1242.	647.9
45	661.	1034.	1099.	729.7
55	470.	774.	830.	643.3
65	285.	523.	666.	508.3
75	119.	376.	541.	376.4
85	23.	251.	437.	265.1
90	11.	211.	389.	

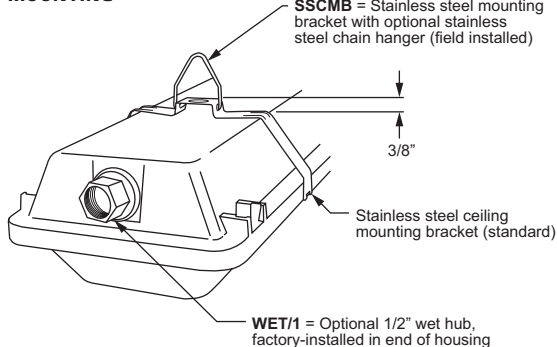
ZONAL CAVITY COEFFICIENTS

Room Cavity Ratio	Ceiling			Wall			Floor		
	.80	.70	.50	.80	.70	.50	.80	.70	.50
0	.88	.88	.88	.85	.85	.85	.80	.80	.80
1	.80	.76	.72	.77	.73	.70	.69	.66	.64
2	.72	.66	.60	.70	.64	.59	.60	.56	.52
3	.66	.58	.51	.63	.56	.50	.53	.48	.44
4	.60	.51	.44	.58	.49	.43	.47	.41	.37
5	.55	.45	.38	.53	.44	.37	.41	.36	.31
6	.50	.40	.33	.48	.39	.32	.37	.31	.27
7	.46	.36	.29	.44	.35	.28	.33	.27	.23
8	.42	.32	.25	.41	.31	.25	.29	.24	.20
9	.39	.28	.22	.38	.28	.22	.26	.21	.17
10	.36	.26	.20	.35	.25	.19	.24	.19	.15

Effective Floor Cavity Reflectance = .20

FIXTURE DETAILS

MOUNTING



SHIELDING OPTIONS

Nominal Length	Overall Length	PC (clear polycarbonate diffuser)	HIA (high-impact acrylic)
4'	51-7/8"	Standard	Optional
8'	100-1/4"	N/A	Standard