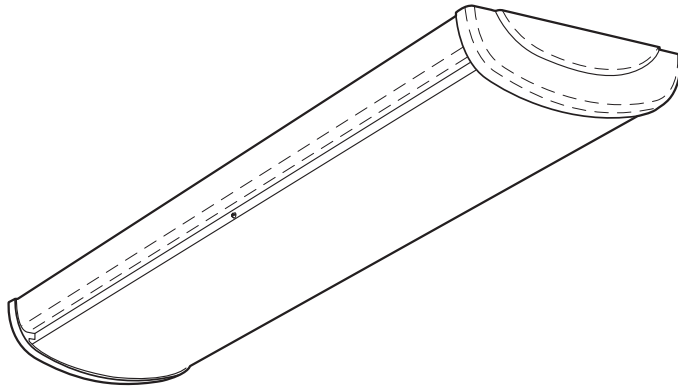


12" WIDE ARCHITECTURAL VANDAL WRAP

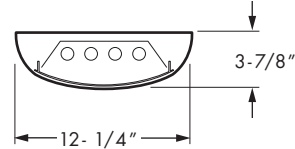
SERIES **AV12**



2 lamps



3 lamps



4 lamps

VOLTAGE TYPE JOB _____

SPECIFICATIONS

- HOUSING – Extruded, marine grade aluminum with die-cast end caps.
- SHIELDING – .150" thick polycarbonate lens. Lens is secured to housing with multiple tamper-resistant tri-groove screws.
- REFLECTIVE SURFACES – 92% minimum average reflective white powder coat on interior components.
- FINISH – Non-glare white polyester powder coated exterior textured finish with multi-stage iron/phosphate prepared metal.
- ELECTRICAL – Electronic ballast standard, instant start T8, programmed start T5, rated Class P.
- LABELS – UL/CUL listed as fluorescent luminaire suitable for dry or damp locations. UL/CUL listed for wet location under covered ceiling when specified with WET/CC option (surface mount only).
- MOUNTING – Surface, pendant, or corner.

FEATURES

- Ideal for schools, hallways, dormitories, locker rooms, or any other vandal prone areas.
- Marine grade aluminum housing designed to withstand harsh environments.
- Tamper-resistant screws provided to protect against vandals (optional TPST 1/4" drive socket available). Standard phillips head screws also provided.
- Die-cast end caps envelop the diffuser for added strength and durability.
- Extremely durable damage-resistant polycarbonate lens is standard.
- Versatile mounting options include surface, pendant, or vandal-resistant corner mount.
- Features easy row mount capability with integral alignment pieces.
- All parts painted after fabrication to facilitate installation, increase efficiency, and inhibit corrosion.
- This fixture is proudly made in the USA.

ORDERING INFORMATION

Submittal

EXAMPLE: **AV12** - **4** - **2** **32** - **CPC** - **OPTIONS** - **EB2** - **UNV**

SERIES

AV12 Architectural Vandal Wrap, 12" wide

NOMINAL LENGTH

4 4'
8 8'

TOTAL LAMPS

2, 3, 4, 6 or 8

LAMP WATTAGE/TYPE

28T5S 4', 28-watt T5
32 4', 32-watt T8
54T5H¹ 4', 54-watt T5HO¹

SHIELDING

CPC Clear polycarbonate lens, .150" thick
WPC White polycarbonate lens, .150" thick

¹ T5H fixtures are equipped with 90°C rated ballasts.

OPTIONS

EM packs must be low profile. Not available with generic EM ballast options.

WET/CC Wet location under covered ceiling (surface mount only)

SWS(AV)12² Pendant swivel stem mount with 12" stem²

SS(AV)12² Pendant stem mount with 12" stem²

CMB Vandal-resistant corner mount (For dry and damp location only)

C1B Quick-connect, wiring harness, single circuit

² Two stem sets required for 4' fixture. One additional stem set required for each 4' length of row mounting.

BALLAST TYPE

Ballast size restricted. Ballast and/or EM ballast sizes restricted to maximum ballast cross-section of 1-3/4" W. x 1-1/4" H.

EB2 2-lamp electronic ballast

EB3 3-lamp electronic ballast (T8 only)

EB4 4-lamp electronic ballast (T8 only)

VOLTAGE

120 120V

277 277V

UNV 120 - 277V

347 347V

• This fixture requires a tamper-resistant tool (must be ordered separately). Please specify quantity required per project.



FLUORESCENT LIGHTING

AV12

SERIES

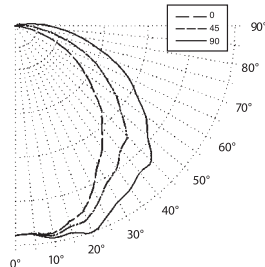
PHOTOMETRY INFORMATION

Williams Catalog #AV12-4-232-CPC-EB2
 Test Report #13673.0, Dated 09/14/07

Lamp Type: F32T8/835/RS
 Lamp Quantity: 2

CANDLEPOWER DISTRIBUTION

VERT. ANG.	HORIZONTAL ANGLE			ZONAL LUMENS
	0	45	90	
0	1339.	1339.	1339.	
5	1334.	1335.	1340.	127.6
15	1300.	1332.	1372.	378.3
25	1155.	1244.	1358.	579.6
35	961.	1117.	1276.	701.9
45	772.	1001.	1226.	774.1
55	546.	780.	1015.	699.7
65	339.	555.	793.	558.8
75	129.	314.	533.	348.1
85	13.	134.	308.	164.9
90	3.	76.	212.	



ZONAL CAVITY COEFFICIENTS

EFFECTIVE FLOOR CAVITY REFL. = .20

LUMEN SUMMARY

ZONE	LUMENS	% LAMP	% FIXTURE
0 - 30	1085.	18.4	24.6
0 - 40	1787.	30.3	40.5
0 - 60	3261.	55.3	73.9
0 - 90	4333.	73.4	98.2
90 - 120	78.	1.3	1.8
90 - 130	78.	1.3	1.8
90 - 150	78.	1.3	1.8
90 - 180	78.	1.3	1.8
0 - 180	4411.	74.8	100.0

CEILING WALL RCR	.80			.70			.50		
	.70	.50	.30	.70	.50	.30	.50	.30	.10
0	.89	.89	.89	.86	.86	.86	.82	.82	.82
1	.81	.77	.74	.79	.75	.72	.72	.69	.67
2	.74	.67	.62	.72	.66	.61	.63	.59	.56
3	.67	.59	.53	.65	.58	.53	.56	.51	.47
4	.62	.53	.46	.60	.52	.45	.50	.44	.40
5	.56	.46	.40	.54	.45	.39	.44	.38	.34
6	.51	.41	.35	.50	.41	.34	.39	.33	.29
7	.47	.37	.30	.46	.36	.30	.35	.29	.25
8	.44	.33	.27	.42	.33	.26	.31	.26	.22
9	.40	.30	.23	.39	.29	.23	.28	.23	.19
10	.37	.27	.21	.36	.26	.21	.26	.20	.17

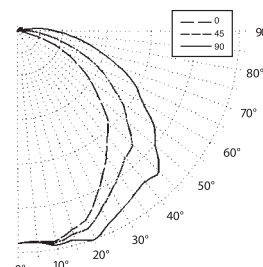
SPACING CRITERIA: END = 1.2 DIAG. = 1.3 ACROSS = 1.5

Williams Catalog #AV12-4-254T5H-CPC-EB2
 Test Report #13628.0, Dated 08/01/07

Lamp Type: FP54T5HO/835
 Lamp Quantity: 2

CANDLEPOWER DISTRIBUTION

VERT. ANG.	HORIZONTAL ANGLE			ZONAL LUMENS
	0	45	90	
0	1817.	1817.	1817.	
5	1806.	1806.	1811.	172.5
15	1759.	1797.	1847.	509.9
25	1571.	1679.	1821.	782.1
35	1312.	1503.	1717.	947.2
45	1082.	1381.	1702.	1071.8
55	765.	1091.	1417.	976.3
65	468.	775.	1109.	778.3
75	173.	440.	757.	486.9
85	19.	194.	456.	241.5
90	7.	114.	323.	



ZONAL CAVITY COEFFICIENTS

EFFECTIVE FLOOR CAVITY REFL. = .20

LUMEN SUMMARY

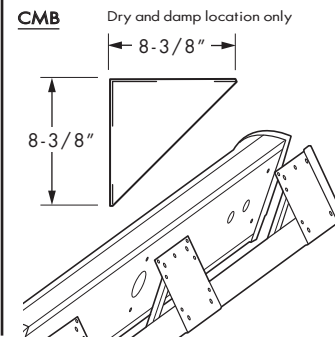
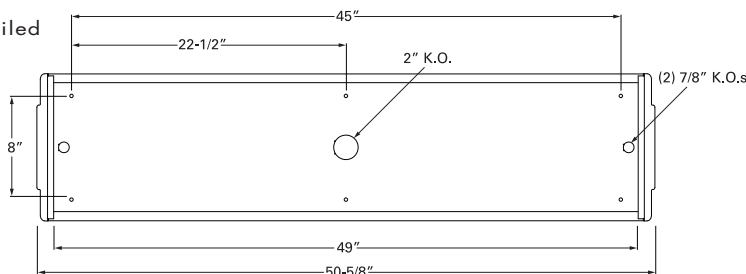
ZONE	LUMENS	% LAMP	% FIXTURE
0 - 30	1465.	14.6	24.0
0 - 40	2412.	24.1	39.5
0 - 60	4460.	44.6	73.0
0 - 90	5967.	59.7	97.6
90 - 120	136.	1.4	2.2
90 - 130	140.	1.4	2.3
90 - 150	146.	1.5	2.4
90 - 180	146.	1.5	2.4
0 - 180	6112.	61.1	100.0

CEILING WALL RCR	.80			.70			.50		
	.70	.50	.30	.70	.50	.30	.50	.30	.10
0	.72	.72	.72	.71	.71	.71	.67	.67	.67
1	.66	.63	.60	.64	.61	.59	.59	.56	.55
2	.60	.55	.51	.58	.54	.50	.51	.48	.45
3	.55	.48	.43	.53	.47	.43	.45	.41	.38
4	.50	.43	.37	.49	.42	.37	.40	.36	.32
5	.46	.38	.32	.44	.37	.32	.35	.31	.27
6	.42	.34	.28	.41	.33	.28	.32	.27	.23
7	.39	.30	.25	.37	.29	.24	.28	.24	.20
8	.35	.27	.22	.34	.26	.21	.25	.21	.18
9	.33	.24	.19	.32	.24	.19	.23	.18	.15
10	.30	.22	.17	.29	.21	.17	.21	.16	.13

SPACING CRITERIA: END = 1.2 DIAG. = 1.3 ACROSS = 1.4

BACK VIEW

Visit our website for detailed mounting instructions:
www.hewilliams.com



H.E. WILLIAMS, INC.