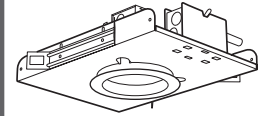


6" ROUND LED DOWNLIGHT

LEDC60



SUBMITTAL:

JOB:

TYPE:

VOLTAGE:

EXAMPLE

LEDC60 - 650 - GU24 - 27K - RWT - OPTIONS - 120

SERIES

LUMEN PACKAGE

LAMP BASE

MODULE COLOR TEMPERATURE

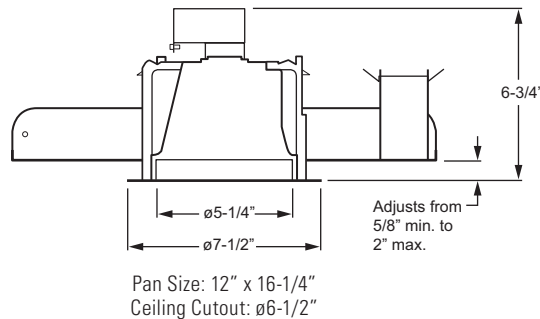
TRIM COLOR

OPTIONS

VOLTAGE

FEATURES

- ▶ LEDs deliver an exemplary combination of light output, high-efficacy, and pleasing color.
- ▶ Rated for 50,000 hours at 70% lumen maintenance (L70).
- ▶ 90 CRI (color rendering index).
- ▶ 650 lumens nominal delivered light output.
- ▶ 2700K or 3500K color temperatures.
- ▶ LED module and driver accessible from below ceiling plane for ease of maintenance.
- ▶ Dimmable down to 20% with qualified incandescent dimmers (reference www.CreeLEDLighting.com for recommended dimmers), 120V only recommended.
- ▶ Wide distribution illuminates walls and vertical surfaces.
- ▶ Integral pan throat field-adjusts to accommodate ceilings up to 2" thick.
- ▶ Adjustable hanger brackets with bar hangers standard.
- ▶ Easy-access 14-gauge galvanized steel junction box with two snap-on covers.
- ▶ This fixture is proudly made in the USA.



Pan Size: 12" x 16-1/4"
Ceiling Cutout: ϕ 6-1/2"

ORDERING INFORMATION

SERIES

LEDC60 6" Round LED Downlight

LUMEN PACKAGE

650 10.5-watt, 650-lumen, Cree LR6 LED module

LAMP BASE

GU24 GU24 base

LED MODULE COLOR TEMPERATURE (Must specify)

27K 2700K
35K 3500K

TRIM COLOR (Must specify)

RWT Ribbed white trim (standard)
BLK Black diffuse anodized trim
DA Diffuse anodized trim
PW Pewter diffuse anodized trim
SWT Smooth white trim
WT Wheat diffuse anodized trim

VOLTAGE (Must specify)

120 120V
277 277V (includes step-down transformer), not recommended for dimming applications



SPECIFICATIONS

Housing – 20-gauge die-formed galvanized steel pan/plaster frame with adjustable throat (5/8" to 2").

LED Module & Driver – 10.5-watt, 650-lumen, Cree LR6 LED module with integral high-efficiency driver and power supply. Integral cast aluminum heat sink.

Electrical – Prewired at factory for easy field installation. Integral thermal protector.

Mounting – Recessed.
Labels – cETLus conforms to UL STD 1598; Certified to CAN/CSA STD C22.2 No. 250.0. Suitable for damp locations.

Qualifications – RoHS and California Title-24 compliant.

Warranty – 3-Year Parts Warranty provided by Cree on LED module.

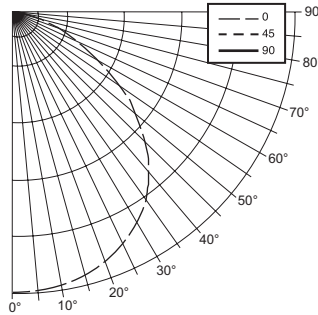


PHOTOMETRY INFORMATION

Catalog #: LEDC60-650-GU24-27K-RWT

TEST REPORT INFORMATION

- ▶ Test Report #: 22226.0
- ▶ Date: 03/01/07
- ▶ Lamp Type: LED
- ▶ Lamp Quantity: 1
- ▶ **Rated Lumens: 647**
- ▶ **Watts: 10.5**
- ▶ **Lumens Per Watt: 62**
- ▶ **CRI: 90**
- ▶ **CCT: 2700K**



CANDLEPOWER DISTRIBUTION

Vertical Angle	Horizontal Angle 0°	Zonal Lumens
0°	249.	
5°	248.	23.6
15°	242.	68.3
25°	228.	104.9
35°	203.	126.8
45°	165.	126.9
55°	115.	102.9
65°	62.	62.3
75°	24.	26.2
85°	6.	6.4
90°	0.	

ZONAL CAVITY COEFFICIENTS

	Ceiling	.80			.70			.50		
	Wall	.70	.50	.30	.70	.50	.30	.50	.30	.10
Room Cavity Ratio	0	1.19	1.19	1.19	1.17	1.17	1.17	1.11	1.11	1.11
	1	1.10	1.06	1.02	1.07	1.04	1.00	.99	.96	.94
	2	1.01	.93	.87	.98	.91	.86	.88	.83	.79
	3	.92	.83	.75	.90	.81	.74	.78	.72	.67
	4	.85	.74	.65	.83	.72	.64	.70	.63	.58
	5	.78	.66	.57	.76	.65	.57	.63	.56	.50
	6	.72	.60	.51	.70	.59	.50	.57	.50	.44
	7	.67	.54	.46	.65	.53	.45	.52	.44	.39
	8	.63	.49	.41	.61	.49	.41	.47	.40	.35
	9	.58	.45	.37	.57	.45	.37	.44	.37	.32
	10	.55	.42	.34	.54	.41	.34	.40	.33	.29

Effective Floor Cavity Reflectance = .20

LIGHT CONE QUICK CALCULATOR TABLES

	Mounting Height (Ft)	FC at Edge of Cone	FC at Nadir	Cone Dia. (Feet)	
				Across	Diagonal
Room Cavity Ratio	8	1.9	3.9	9.9	7.2
	10	1.2	2.5	12.4	9.0
	12	0.9	1.7	14.9	10.8
	14	0.6	1.3	17.4	12.6
	16	0.5	1.0	19.8	14.4
	18	0.4	0.8	22.3	16.2
	20	0.3	0.6	24.8	18.0

Effective Floor Cavity Reflectance = .20

LUMEN SUMMARY

Zone	Lumens	% Fixture
0 - 30	198.	30.3
0 - 40	323.	49.9
0 - 60	553.	85.3
0 - 90	648.	100.0
Total Luminaire:		
0 - 180	648.	100.0

IES Spacing Criteria: End = 1.3
Diagonal = 1.3
Across = 1.3

LUMINANCE DATA (cd/m²)

Vertical Angle	Horizontal Angle 0°
45	16523.
55	14205.
65	10426.
75	6531.
90	4788.