

6" ROUND ALUMINUM BOLLARD

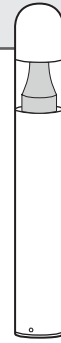
OSA6R

SUBMITTAL:

JOB:

TYPE:

VOLTAGE:



CFL

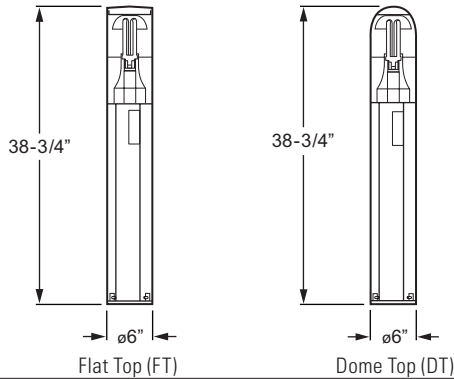
EXAMPLE: **OSA6R** - **42TUNV** - **AC** - **FT** - **DBR** - **AB** - **OPTIONS**

▼
▼
▼
▼
▼
▼
▼

SERIES
ELECTRICAL PACKAGE
SHIELD
HOUSING TOP
FINISH OPTIONS
ANCHOR BOLTS
OPTIONS

SERIES

This fixture is proudly made in the USA.



OSA6R SERIES

The OSA6R Series round aluminum bollard is designed with clean lines suitable for a variety of low level lighting applications. Available with a flat or dome top and a cone reflector.

HOUSING — Fabricated aluminum housing, .125" wall thickness.

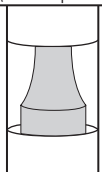
ELECTRICAL PACKAGE (Must specify)

Socket:	G24q-2	G24q-3	GX24q-3	GX24q-3	GX24q-4
	18Q120	26Q120	26T120	32T120	42T120
	18Q208	26Q208	26T208	32T208	42T208
	18Q240	26Q240	26T240	32T240	42T240
	18Q277	26Q277	26T277	32T277	42T277
	18QUNV	26QUNV	26TUNV	32TUNV	42TUNV
	18Q347	26Q347	26T347	32T347	42T347

ELECTRICAL PACKAGE

Prewired at factory for easy field installation. Rated 0°F minimum starting temperature.

SHIELD (Must specify)



AC Acrylic Lens with Cone Reflector

SHIELD

U.V. stabilized clear acrylic cylinder machined to fit inside the luminaire housing, sealed with silicone.

REFLECTOR — Spun aluminum cone reflector with a specular Alzak finish.

HOUSING TOP (Must specify)

DT	Dome Top
FT	Flat Top

HOUSING TOP

Spun aluminum, .125" minimum wall thickness.

CFL

FINISH OPTIONS

Super durable polyester powder coat meets and exceeds AAMA 2604 specifications for outdoor durability.

FINISH OPTIONS (Must specify)

BLK	Black (RAL# 9004)	DBR	Dark Bronze (Protech #PC21462)
GRAY	Standard Gray (Protech #PC18367)	GRN	Green (RAL# 6005)
SLV	Satin Aluminum (RAL# 9006)	WHT	White (RAL# 9003)
RAL#	Specify Custom Color		

ANCHOR BOLTS (Must specify)

AB¹	Anchor Bolts (3 each, shipped with fixture) ¹	LAB	Less Anchor Bolts
PAB¹	Pre-Shipped Anchor Bolts (3 each) ¹		

¹ Three 3/8" x 12" cast-in galvanized steel anchor J-bolts. Mounting template included.

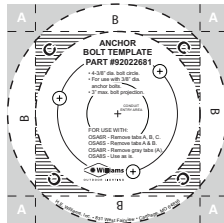
OPTIONS

SF	Single Fuse (120V, 277V, or 347V only; must specify voltage)	DF	Double Fuse (208V or 240V only; must specify voltage)
-----------	--	-----------	---

MOUNTING

3-Point cast aluminum base. For accurate installation a full-scale mounting template is provided with every bollard and anchor bolt order.

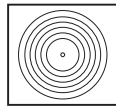
TEMPLATE



Mounting template
(Provided with each order)

A pdf file (not to-scale) of the mounting template is available online at www.hewilliams.com.

DISTRIBUTION



T5 Type V

LABELS

cCSAus Certified as luminaire suitable for wet location.

