

8" ROUND ALUMINUM BOLLARD

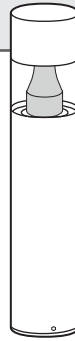
OSA8R

SUBMITTAL:

JOB:

TYPE:

VOLTAGE:



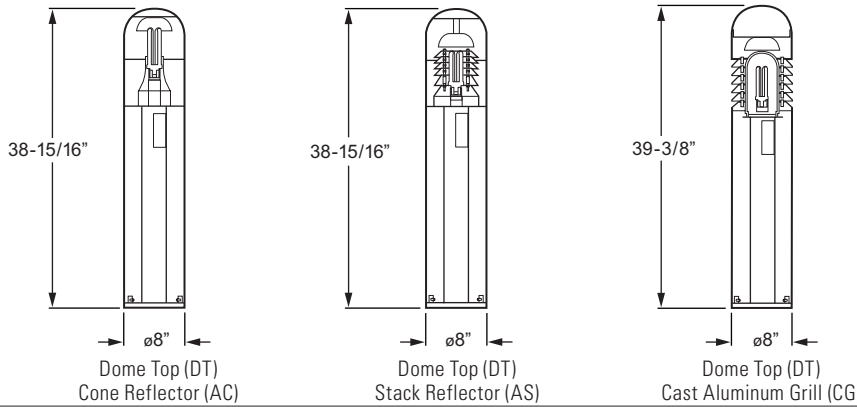
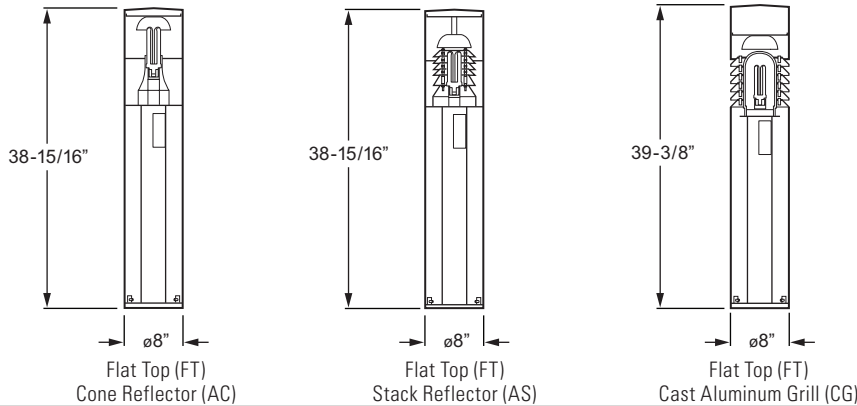
CFL

EXAMPLE: OSA8R - 42TUNV - AC - FT - DBR - AB - OPTIONS

▼
SERIES
▼
ELECTRICAL PACKAGE
▼
SHIELD
▼
HOUSING TOP
▼
FINISH OPTIONS
▼
ANCHOR BOLTS
▼
OPTIONS

SERIES

This fixture is proudly made in the USA.



OSA8R SERIES

The versatile OSA8R Series round aluminum bollard offers a variety of shield-types and top designs for use in assorted low-light applications.
HOUSING — Fabricated aluminum housing, .125" wall thickness.

ELECTRICAL PACKAGE (Must specify)

Socket:	G24q-2	G24q-3	GX24q-3	GX24q-3	GX24q-4
	18Q120	26Q120	26T120	32T120	42T120
	18Q208	26Q208	26T208	32T208	42T208
	18Q240	26Q240	26T240	32T240	42T240
	18Q277	26Q277	26T277	32T277	42T277
	18QUNV	26QUNV	26TUNV	32TUNV	42TUNV
	18Q347	26Q347	26T347	32T347	42T347

ELECTRICAL PACKAGE

Prewired at factory for easy field installation. Rated 0°F minimum starting temperature.

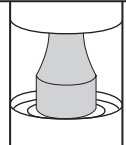
CFL

SHIELD

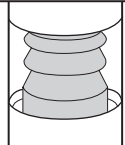
AC or AS (Acrylic) — U.V. stabilized clear acrylic cylinder machined to fit inside the luminaire housing and sealed with silicone. Spun aluminum cone or stack reflector with a specular Alzak finish.

CG (Louvered) — Cast aluminum grill is .188" thick with a clear glass vapor jar screwed into a cast shell and sealed with a closed-cell neoprene gasket.

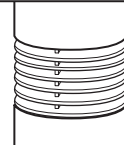
SHIELD (Must specify)



AC Acrylic Lens with Cone Reflector



AS Acrylic Lens with Stack Reflector



CG Cast Aluminum Grill

HOUSING TOP (Must specify)

- DT** Dome Top
- FT** Flat Top

HOUSING TOP

Spun aluminum, .125" minimum wall thickness.

FINISH OPTIONS (Must specify)

- | | |
|--|---|
| BLK Black (RAL# 9004) | DBR Dark Bronze (Protech #PC21462) |
| GRAY Standard Gray (Protech #PC18367) | GRN Green (RAL# 6005) |
| SLV Satin Aluminum (RAL# 9006) | WHT White (RAL# 9003) |
| RAL# ____ Specify Custom Color | |

FINISH OPTIONS

Super durable polyester powder coat meets and exceeds AAMA 2604 specifications for outdoor durability.

ANCHOR BOLTS (Must specify)

- AB¹** Anchor Bolts (3 each, shipped with fixture)¹
- LAB** Less Anchor Bolts
- PAB¹** Pre-Shipped Anchor Bolts (3 each)¹

¹ Three 3/8" x 12" cast-in galvanized steel anchor J-bolts. Mounting template included.

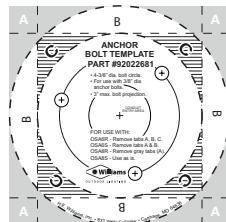
OPTIONS

- SF** Single Fuse (120V, 277V, or 347V only; must specify voltage)
- DF** Double Fuse (208V or 240V only; must specify voltage)

MOUNTING

3-Point cast aluminum base. For accurate installation a full-scale mounting template is provided with every bollard and anchor bolt order.

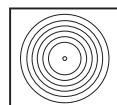
TEMPLATE



Mounting template (Provided with each order)

A pdf file (not to-scale) of the mounting template is available online at www.hewilliams.com.

DISTRIBUTION



T5 Type V

LABELS

cCSAus Certified as luminaire suitable for wet location.