

# 6" SQUARE ALUMINUM BOLLARD

# OSA6S

**SUBMITTAL:**

**JOB:**

**TYPE:**

**VOLTAGE:**



**CFL**

EXAMPLE:

**OSA6S - 42TUNV - AC - FT - DBR - AB - OPTIONS**

SERIES

ELECTRICAL PACKAGE

SHIELD

HOUSING TOP

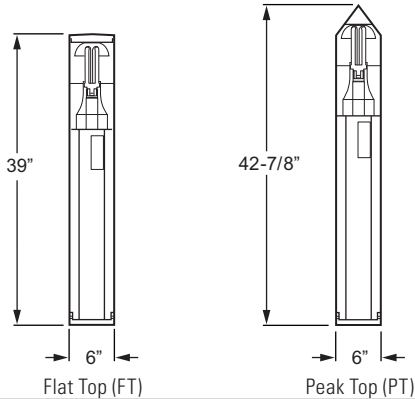
FINISH OPTIONS

ANCHOR BOLTS

OPTIONS

## SERIES

This fixture is proudly made in the USA.



## OSA6S SERIES

The OSA6S Series square aluminum bollard features a highly reflective cone reflector for effective light distribution and a pleasing appearance night or day.

**HOUSING** — Fabricated aluminum housing, .125" wall thickness.

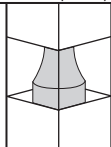
## ELECTRICAL PACKAGE (Must specify)

Socket:	G24q-2	G24q-3	GX24q-3	GX24q-3	GX24q-4
	18Q120	26Q120	26T120	32T120	42T120
	18Q208	26Q208	26T208	32T208	42T208
	18Q240	26Q240	26T240	32T240	42T240
	18Q277	26Q277	26T277	32T277	42T277
	18QUNV	26QUNV	26TUNV	32TUNV	42TUNV
	18Q347	26Q347	26T347	32T347	42T347

## ELECTRICAL PACKAGE

Prewired at factory for easy field installation. Rated 0°F minimum starting temperature.

## SHIELD (Must specify)



**AC** Acrylic Lens with Cone Reflector

## SHIELD

U.V. stabilized clear acrylic cylinder machined to fit inside the luminaire housing, sealed with silicone.

**REFLECTOR** — Spun aluminum cone reflector with a specular Alzak finish.

## HOUSING TOP (Must specify)

<b>FT</b>	Flat Top
<b>PT</b>	Peak Top

## HOUSING TOP

Fabricated aluminum, .125" minimum wall thickness.

## CFL

### FINISH OPTIONS

Super durable polyester powder coat meets and exceeds AAMA 2604 specifications for outdoor durability.

### MOUNTING

3-Point cast aluminum base. For accurate installation a full-scale mounting template is provided with every bollard and anchor bolt order.

### LABELS

cCSAus Certified as luminaire suitable for wet location.

### FINISH OPTIONS (Must specify)

<b>BLK</b>	Black (RAL# 9004)	<b>DBR</b>	Dark Bronze (Protech #PC21462)
<b>GRAY</b>	Standard Gray (Protech #PC18367)	<b>GRN</b>	Green (RAL# 6005)
<b>SLV</b>	Satin Aluminum (RAL# 9006)	<b>WHT</b>	White (RAL# 9003)
<b>RAL#</b>	Specify Custom Color		

### ANCHOR BOLTS (Must specify)

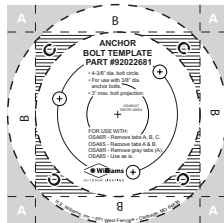
<b>AB<sup>1</sup></b>	Anchor Bolts (3 each, shipped with fixture) <sup>1</sup>	<b>LAB</b>	Less Anchor Bolts
<b>PAB<sup>1</sup></b>	Pre-Shipped Anchor Bolts (3 each) <sup>1</sup>		

<sup>1</sup> Three 3/8" x 12" cast-in galvanized steel anchor J-bolts. Mounting template included.

### OPTIONS

<b>SF</b>	Single Fuse (120V, 277V, or 347V only; must specify voltage)	<b>DF</b>	Double Fuse (208V or 240V only; must specify voltage)
-----------	--	-----------	---

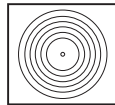
### TEMPLATE



A pdf file (not to-scale) of the mounting template is available online at [www.hewilliams.com](http://www.hewilliams.com).

Mounting template  
(Provided with each order)

### DISTRIBUTION



T5 Type V