

# 8" SQUARE ALUMINUM BOLLARD

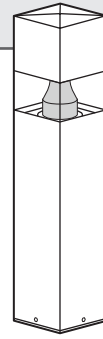
# OSA8S

**SUBMITTAL:**

**JOB:**

**TYPE:**

**VOLTAGE:**



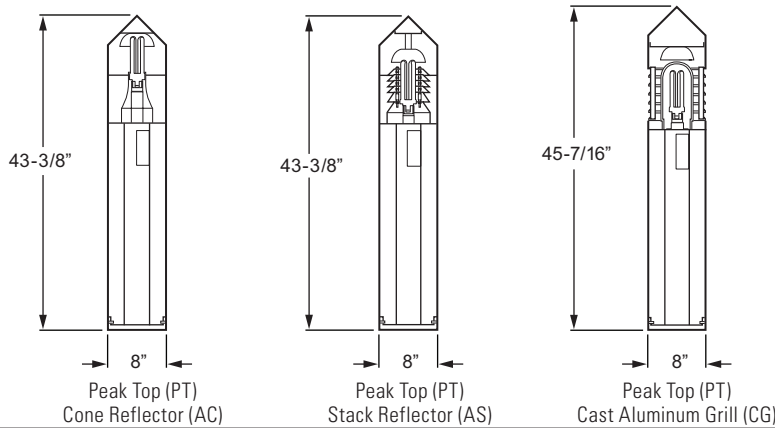
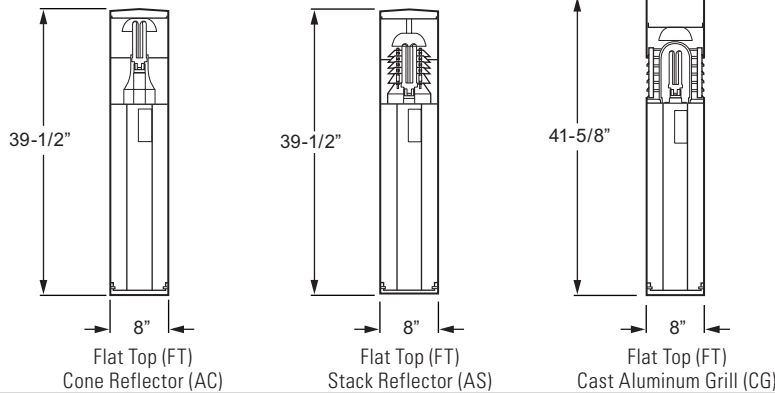
**CFL**

**EXAMPLE:** OSA8S - 42TUNV - AC - FT - DBR - AB - OPTIONS

SERIES      ELECTRICAL PACKAGE      SHIELD      HOUSING TOP      FINISH OPTIONS      ANCHOR BOLTS      OPTIONS

## SERIES

This fixture is proudly made in the USA.



## OSA8S SERIES

The versatile OSA8S Series square aluminum bollard is made with quality construction and features several shielding and housing top options for numerous design possibilities.

**HOUSING** — Fabricated aluminum housing, .125" wall thickness.

## ELECTRICAL PACKAGE (Must specify)

Socket:	G24q-2	G24q-3	GX24q-3	GX24q-3	GX24q-4
	18Q120	26Q120	26T120	32T120	42T120
	18Q208	26Q208	26T208	32T208	42T208
	18Q240	26Q240	26T240	32T240	42T240
	18Q277	26Q277	26T277	32T277	42T277
	18QUNV	26QUNV	26TUNV	32TUNV	42TUNV
	18Q347	26Q347	26T347	32T347	42T347

## ELECTRICAL PACKAGE

Prewired at factory for easy field installation. Rated 0°F minimum starting temperature.

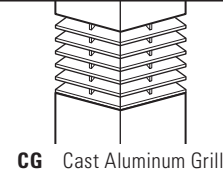
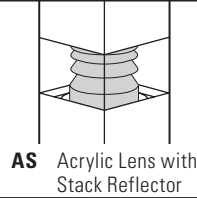
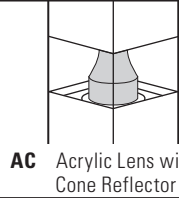
## CFL

### SHIELD

**AC or AS (Acrylic)** — U.V. stabilized clear acrylic cylinder machined to fit inside the luminaire housing and sealed with silicone. Spun aluminum cone or stack reflector with a specular Alzak finish.

**CG (Louvered)** — Cast aluminum grill is .188" thick with a clear glass vapor jar screwed into a cast shell and sealed with a closed-cell neoprene gasket.

### SHIELD (Must specify)



### HOUSING TOP

Fabricated aluminum, .125" minimum wall thickness.

### HOUSING TOP (Must specify)

- FT** Flat Top
- PT** Peak Top

### FINISH OPTIONS

Super durable polyester powder coat meets and exceeds AAMA 2604 specifications for outdoor durability.

### FINISH OPTIONS (Must specify)

- |  |   |
|--|---|
| <b>BLK</b> Black (RAL# 9004)                 | <b>DBR</b> Dark Bronze (Protech #PC21462) |
| <b>GRAY</b> Standard Gray (Protech #PC18367) | <b>GRN</b> Green (RAL# 6005)              |
| <b>SLV</b> Satin Aluminum (RAL# 9006)        | <b>WHT</b> White (RAL# 9003)              |
| <b>RAL#</b> _____ Specify Custom Color       |   |

### ANCHOR BOLTS (Must specify)

- |  |                              |
|--|------------------------------|
| <b>AB<sup>1</sup></b> Anchor Bolts (3 each, shipped with fixture) <sup>1</sup> | <b>LAB</b> Less Anchor Bolts |
| <b>PAB<sup>1</sup></b> Pre-Shipped Anchor Bolts (3 each) <sup>1</sup>          |                              |

<sup>1</sup> Three 3/8" x 12" cast-in galvanized steel anchor J-bolts. Mounting template included.

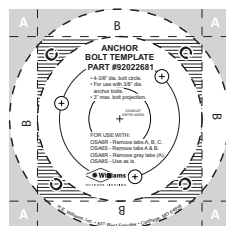
### OPTIONS

- |  |   |
|--|---|
| <b>SF</b> Single Fuse (120V, 277V, or 347V only; must specify voltage) | <b>DF</b> Double Fuse (208V or 240V only; must specify voltage) |
|--|---|

### MOUNTING

3-Point cast aluminum base. For accurate installation a full-scale mounting template is provided with every bollard and anchor bolt order.

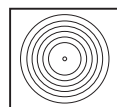
### TEMPLATE



Mounting template (Provided with each order)

A pdf file (not to-scale) of the mounting template is available online at [www.hewilliams.com](http://www.hewilliams.com).

### DISTRIBUTION



**T5** Type V

### LABELS

cCSAus Certified as luminaire suitable for wet location.

