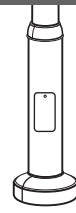


# DECORATIVE TAPERED AND STEPPED ALUMINUM POLE AND BASE

# AV50



**SUBMITTAL:**

**JOB:**

**TYPE:**

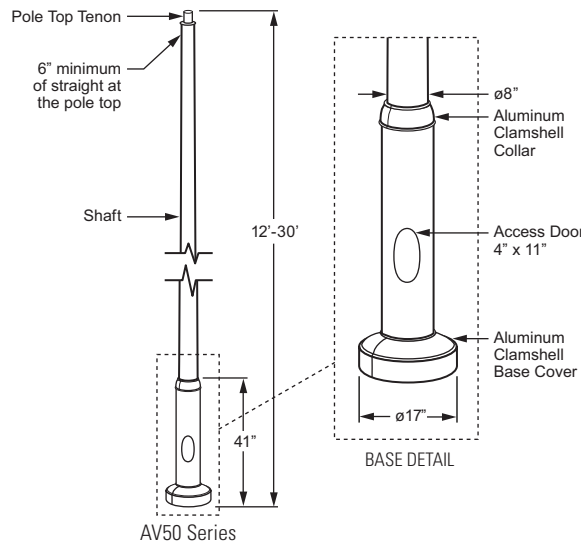
EXAMPLE:

**VM - AV50 - A - 120 - 40 - 156 - T - T238 - DBR - AB - OPTIONS**

PREFIX      SERIES      MATERIAL      HEIGHT      TOP DIAMETER      WALL THICKNESS      SHAFT STYLE      FIXTURE MOUNTING      FINISH OPTIONS      ANCHOR BOLTS      OPTIONS/ACCESSORIES

## SERIES

**AV50** — Series AV50 poles are 12' to 30' in height including a 4" top O.D. tapered and stepped structural aluminum shaft and decorative cast aluminum components. The pole is designed to accommodate up to two fixtures on a pole top assembly with a maximum 72" O.C. fixture span.



## AV50 SERIES

**SHAFT** — Stepped pole shaft is spun from seamless 6063 alloy aluminum.

**POLE TOP** — A pole top plate and tenon (must specify size) are provided for top mount luminaire or Williams' pole top assembly. A removable finial is available for poles receiving drilling patterns for side-mount luminaire arm assemblies.

**ACCESS DOOR** — An access door and grounding provision with hardware is provided.

**COLLAR & BASE COVER** — Clamshell design made from high quality aluminum casting.

**ANCHOR BASE** — The anchor base (base plate) is cast from 356 alloy aluminum. The completed assembly is heat-treated to a T6 temper after the structural welding is completed.

## MATERIAL (Must specify)

**A** Aluminum

## HEIGHT (Must specify)

<b>120</b>	12'-0"	<b>140</b>	14'-0"	<b>160</b>	16'-0"
<b>180</b>	18'-0"	<b>200</b>	20'-0"	<b>250</b>	25'-0"
<b>300</b>	30'-0"	<b>SL</b> ___	Special Pole Length (Please specify, consult factory)		

## TOP DIAMETER (Must specify)

**40** 4"

## WALL THICKNESS (Must specify)

<b>156</b>	0.156" (Up to 20' shaft height only)
<b>188</b>	0.188" (25' and 30' shaft heights only)
<b>250</b>	0.250" (30' shaft height only)

## SHAFT STYLE (Must specify)

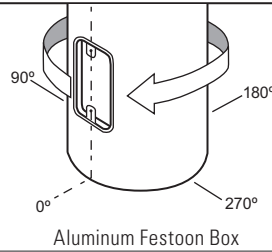
**T** Tapered Round



## OPTIONS

**FS** Festoon Box only

**NOTE: Casting only. Outlet, cover and hardware by others. The festoon box is located above the access door at 0°.**



## ACCESSORIES

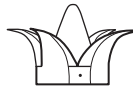
**FINIALS** (For poles with side-mount drill only, for additional finial options consult factory)



**B** Ball



**H** South River



**M** Metro



**N** Pineapple



**P** Point



**R** Pantheon



**S** Spear



**V** Burnsville

## LOAD AND DIMENSIONAL DATA

POLE HT. (FT)	CATALOG NUMBER	POLE DIMENSIONS				80 MPH <sup>1,2</sup>		90 MPH <sup>1,2</sup>		100 MPH <sup>1,2</sup>	
		BASE O.D. (IN)	TOP O.D. (IN)	WALL THK. (IN)	STRUC. WT. <sup>3</sup> (LBS)	MAX LUMINAIRE EPA (SQ FT)	MAX LUMINAIRE WEIGHT (LBS)	MAX LUMINAIRE EPA (SQ FT)	MAX LUMINAIRE WEIGHT (LBS)	MAX LUMINAIRE EPA (SQ FT)	MAX LUMINAIRE WEIGHT (LBS)
12	AV50-A-120-40-156-T	8	4	.156	52	28.4	65	22.3	65	18.0	65
14	AV50-A-140-40-156-T	8	4	.156	58	24.2	65	18.9	65	15.2	65
16	AV50-A-160-40-156-T	8	4	.156	64	20.5	65	15.9	65	12.8	65
18	AV50-A-180-40-156-T	8	4	.156	70	17.1	65	13.2	65	10.6	65
20	AV50-A-200-40-156-T	8	4	.156	76	14.3	65	11.0	65	8.7	65
25	AV50-A-250-40-188-T	8	4	.188	106	11.6	65	8.8	65	6.9	65
30	AV50-A-300-40-188-T	8	4	.188	123	7.5	65	5.4	65	4.1	65
30	AV50-A-300-40-250-T	8	4	.250	160	11.1	65	8.2	65	6.4	65

<sup>1</sup> Effective Projected Area (EPA) calculations allow for 1.3 Wind Gust Factor. Maximum EPA and weight values are based on top mounted luminaires or arm assembly having a centroid 3'-0" above and 6'-0" eccentric to the pole top at Nominal Mounting Height. Variations from sizes above are available upon inquiry. Satisfactory performance of poles is dependent upon the pole being properly attached to a supporting foundation of adequate design. See Williams Outdoor Information Section, page 6, for Load and Dimensional Data specifics.

<sup>2</sup> Wind map provided in Williams Outdoor information section, pole information page 6.

<sup>3</sup> Structure Weight is a nominal value which includes the pole shaft and structural base.

- Pole installations in various parts of the country perform satisfactorily; however, in select locations destructive vibration can occur. H.E. Williams, Inc. is not responsible for vibration induced fatigue damage.
- H.E. Williams, Inc. warrants this product to be free from defects in materials and workmanship. Any defective part returned within one year from the date of delivery of the goods will be repaired or replaced without charge, F.O.B. factory.  
This warranty specifically excludes fatigue or similar phenomena resulting from induced vibration, harmonic oscillation or resonance associated with movement of air currents around the product.  
The above warranties are given in lieu of all other warranties express or implied, including without limitation, the warranty of merchantability and the warranty of suitability for a particular purpose. It is expressly stated that H.E. Williams, Inc. assumes no liability for consequential or liquidated damages arising out of a breach of the sale, including any warranties arising therefrom, and buyer's remedy shall be limited to repair or replacement of defective parts as described above.  
Any action for the breach under a sale including any warranties arising therefrom must be commenced within one year after the cause of action accrues.

**AV50**

**DECORATIVE TAPERED AND STEPPED ALUMINUM POLE AND BASE**

