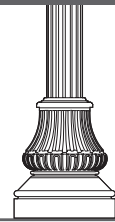


HISTORIC 16-FLAT FLUTED ALUMINUM POLE

HWNF



SUBMITTAL:

JOB:

TYPE:

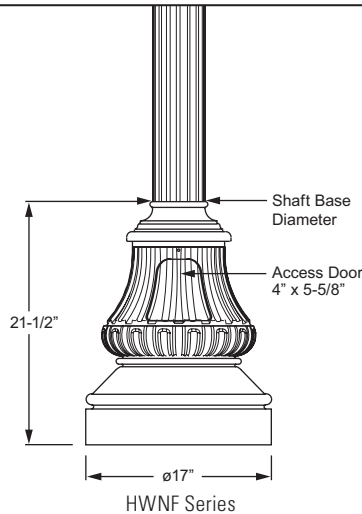
EXAMPLE:

VM - HWNF - A - 080 - 40 - 40 - 125 - S - T238 - DBR - AB - OPTIONS

PREFIX SERIES MATERIAL HEIGHT TOP DIAMETER SHAFT BASE DIAMETER WALL THICKNESS SHAPE OF SHAFT FIXTURE MOUNTING FINISH OPTIONS ANCHOR BOLTS OPTIONS

SERIES

HWNF — Series HWNF is available in 8' to 18' pole heights including a cast aluminum structural base with a choice of straight or tapered fluted round shafts. The pole is designed to accommodate up to two fixtures on a pole top assembly with a maximum 36" O.C. fixture span.



HWNF SERIES

SHAFT — The pole shaft is either spun or extruded from 6063 alloy aluminum.

POLE TOP — A pole top plate and tenon (must specify size) are provided for top mount luminaire or Williams' pole top assembly.

ACCESS DOOR — The structural base includes an access door for easy on-site maintenance.

STRUCTURAL BASE — The structural base is cast from 356 alloy aluminum. A grounding provision with hardware is provided. The pole is inserted and welded into the structural base casting. The completed assembly is heat-treated to a T6 temper after the structural welding is completed.

MATERIAL (Must specify)

A Aluminum

HEIGHT (Must specify)

080	8'	100	10'	120	12'
140	14'	160	16'	180	18'

TOP DIAMETER (Must specify according to chart on page 13C.)

40	4" Straight Fluted	50	5" Straight Fluted
60	6" Straight Fluted	TF	Tapered Fluted (Top diameter varies, see chart on page 13C)

SHAFT BASE DIAMETER (Top diameter of the decorative base casting. Must specify according to chart on page 13C.)

40	4" (Straight round shaft only)	50	5"
60	6"		

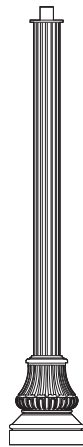
WALL THICKNESS (Must specify according to chart on page 13C.)

125	0.125"
188	0.188" (16' and 18' straight round shaft heights only)

SHAFT SHAPE

Shafts are available in straight or tapered styles with a 16-Flat Fluted Round surface.

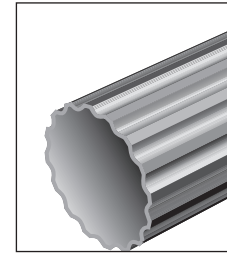
SHAPE OF SHAFT (Must specify)



S
Straight Round



T
Tapered Round



SHAFT DETAIL
16-Flat Fluted Round

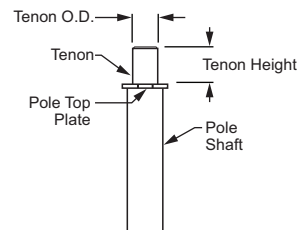
FIXTURE MOUNTING

Designed for pole top tenon. See Williams' Pole Top Assemblies for various fixture mounting tenon and arm assemblies.

FIXTURE MOUNTING (Must specify)

T238	2-3/8" O.D. x 4" Round Tenon
T278	2-7/8" O.D. x 4" Round Tenon
T33	3" O.D. x 3" Round Tenon (Use with Historic Pole Top Assemblies)
T312	3-1/2" O.D. x 12" Round Tenon (Use with Williams' AVPT Decorative Pole Top Assemblies)
TC ____	Custom Round Tenon (Must specify tenon diameter (O.D.) and height, consult factory)

TYPICAL TENON DETAIL



FINISH OPTIONS

Polyester powder coat applied over chromate pre-treatment.

FINISH OPTIONS (Must specify)

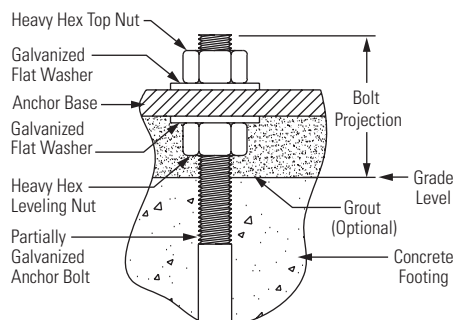
BLK	Black (RAL# 9004)	DBR	Dark Bronze (Protech #PC21462)
GRAY	Standard Gray (Protech #PC18367)	GRN	Green (RAL# 6005)
SLV	Satin Aluminum (RAL# 9006)	WHT	White (RAL# 9003)
RAL# ____	Specify Custom Color		

ANCHOR BOLTS

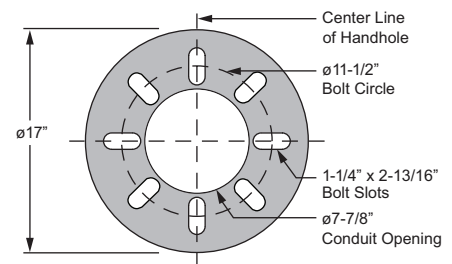
Anchor bolts conform to ASTM F1554 Grade 55 and are provided with two hex nuts and two flat washers. Bolts have an "L" bend on one end and are galvanized a minimum of 12" on the threaded end. Template provided with every pole and anchor bolt order.

ANCHOR BOLTS (Must specify)

AB	Anchor bolts (4 each, shipped with pole)
LAB	Less anchor bolts
PAB	Pre-shipped Anchor Bolts (4 each)



BOLT PROJECTION DETAIL



ANCHOR BASE DETAIL

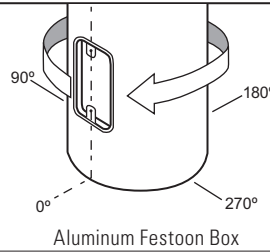
STRUCTURAL BASE				ANCHOR BOLTS ¹		
BOLT CIRCLE		DIA. (IN)	THK. (IN)	BOLT SIZE (IN)	PROJECTION (IN)	± (IN)
DIA. (IN)	± (IN)					
11-1/2	1-1/2	17	3/4	3/4 x 17 x 3	3-1/2	1/4

¹ Provided with four anchor bolts. Base has eight slots for additional orientation.

OPTIONS

FS Festoon Box only

NOTE: Casting only. Outlet, cover and hardware by others. The festoon box is located above the access door at 0°.



LOAD AND DIMENSIONAL DATA

STRAIGHT FLUTED ROUND

POLE HT. (FT.)	CATALOG NUMBER	SHAFT				80 MPH ^{2,3}		90 MPH ^{2,3}		100 MPH ^{2,3}	
		TOP O.D. (IN)	BASE O.D. (IN)	WALL THK. (IN)	STRUC. WT. ⁴ (LBS)	MAX LUMINAIRE EPA (SQ FT)	MAX LUMINAIRE WEIGHT (LBS)	MAX LUMINAIRE EPA (SQ FT)	MAX LUMINAIRE WEIGHT (LBS)	MAX LUMINAIRE EPA (SQ FT)	MAX LUMINAIRE WEIGHT (LBS)
8	HWNF-A-080-40-40-125-S	4	4	.125	67	13.3	300	10.2	300	8.0	300
	HWNF-A-080-50-50-125-S	5	5	.125	69	21.9	300	17.0	300	13.4	300
10	HWNF-A-100-40-40-125-S	4	4	.125	70	9.1	300	6.8	300	5.2	300
	HWNF-A-100-50-50-125-S	5	5	.125	73	15.5	300	11.8	300	9.1	300
12	HWNF-A-120-40-40-125-S	4	4	.125	74	6.3	300	4.5	300	3.2	300
	HWNF-A-120-50-50-125-S	5	5	.125	78	11.2	300	8.3	300	6.2	300
14	HWNF-A-120-60-60-125-S	6	6	.125	82	17.4	300	13.1	300	10.0	300
	HWNF-A-140-50-50-125-S	5	5	.125	82	8.1	300	5.7	300	4.0	300
16	HWNF-A-140-60-60-125-S	6	6	.125	87	13.1	300	9.5	300	6.9	300
	HWNF-A-160-50-50-125-S	5	5	.125	87	5.7	300	3.7	300	2.2	300
18	HWNF-A-160-60-60-125-S	6	6	.125	93	9.7	300	6.7	300	4.5	300
	HWNF-A-160-50-50-188-S	5	5	.188	103	10.3	300	7.3	300	5.2	300
18	HWNF-A-180-50-50-125-S	5	5	.125	91	3.7	300	1.9	300	-	300
	HWNF-A-180-60-60-125-S	6	6	.125	98	7.0	300	4.4	300	2.5	300
	HWNF-A-180-60-60-188-S	6	6	.188	120	12.9	300	9.1	300	6.3	300

TAPERED FLUTED ROUND

POLE HT. (FT.)	CATALOG NUMBER	SHAFT				80 MPH ^{2,3}		90 MPH ^{2,3}		100 MPH ^{2,3}	
		TOP O.D. (IN)	BASE O.D. (IN)	WALL THK. (IN)	STRUC. WT. ⁴ (LBS)	MAX LUMINAIRE EPA (SQ FT)	MAX LUMINAIRE WEIGHT (LBS)	MAX LUMINAIRE EPA (SQ FT)	MAX LUMINAIRE WEIGHT (LBS)	MAX LUMINAIRE EPA (SQ FT)	MAX LUMINAIRE WEIGHT (LBS)
8	HWNF-A-080-TF-50-125-T	4.10	5.00	.125	67	21.9	300	17.0	300	13.4	300
10	HWNF-A-100-TF-50-125-T	3.80	5.00	.125	71	15.5	300	11.8	300	9.1	300
12	HWNF-A-120-TF-60-125-T	4.50	6.00	.125	78	17.4	300	13.1	300	10.0	300
14	HWNF-A-140-TF-60-125-T	4.20	6.00	.125	82	13.1	300	9.5	300	6.9	300
16	HWNF-A-160-TF-60-125-T	3.90	6.00	.125	86	9.7	300	6.7	300	4.5	300
18	HWNF-A-180-TF-60-125-T	3.70	6.00	.125	89	7.0	300	4.4	300	2.5	300

² Effective Projected Area (EPA) calculations allow for 1.3 Wind Gust Factor. Maximum EPA and weight values are based on top mounted luminaires or arm assembly having a centroid 2'-6" above and 1'-6" eccentric to the pole top at Nominal Mounting Height. Variations from sizes listed above are available upon inquiry. Satisfactory performance of poles is dependent upon the pole being properly attached to a supporting foundation of adequate design. See Williams Outdoor Information Section, page 6, for Load and Dimensional Data specifics.

³ Wind map provided in Williams Outdoor information section, pole information page 6.

⁴ Structure Weight is a nominal value which includes the pole shaft and structural base.

- Pole installations in various parts of the country perform satisfactorily; however, in select locations destructive vibration can occur. H.E. Williams, Inc. is not responsible for vibration induced fatigue damage.
- H.E. Williams, Inc. warrants this product to be free from defects in materials and workmanship. Any defective part returned within one year from the date of delivery of the goods will be repaired or replaced without charge, F.O.B. factory.
This warranty specifically excludes fatigue or similar phenomena resulting from induced vibration, harmonic oscillation or resonance associated with movement of air currents around the product.
The above warranties are given in lieu of all other warranties express or implied, including without limitation, the warranty of merchantability and the warranty of suitability for a particular purpose. It is expressly stated that H.E. Williams, Inc. assumes no liability for consequential or liquidated damages arising out of a breach of the sale, including any warranties arising therefrom, and buyer's remedy shall be limited to repair or replacement of defective parts as described above.
Any action for the breach under a sale including any warranties arising therefrom must be commenced within one year after the cause of action accrues.

HWNF

HISTORIC 16-FLAT FLUTED ALUMINUM POLE

