

WALL ARCHITECTURAL VANDAL OVAL 2

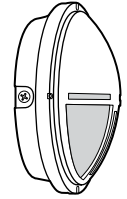
WAVO2

SUBMITTAL:

JOB:

TYPE:

VOLTAGE:



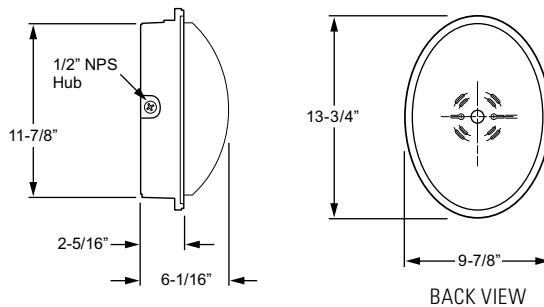
EXAMPLE: **WAVO2** - **1** **26Q** - **G24q-3** - **RC O** - **BRZ** - **OPTIONS** - **UNV**

SERIES # OF LAMPS LAMP WATTAGE LAMP BASE LENS LENS GUARD COLOR OPTIONS VOLTAGE

SERIES

FEATURES

- ▶ 1/2" NPS threaded hub and plugged conduit entry points.
- ▶ T-15 tamper-resistant pin-in-Torx stainless steel screws standard (optional T-15 drive socket available).
- ▶ Four color options, four lens guard styles, and three lens types provide design flexibility.
- ▶ Wet location listed. Weep hole on lens guard reduces dirt and moisture accumulation.



WAVO2 SERIES HOUSING — One-piece die-cast marine grade aluminum housing.

LAMP OPTIONS (Must specify)

# LAMPS	WATTAGE	LAMP BASE
1	13Q	G24q-1
1	18Q	G24q-2
1	26Q	G24q-3
1	32T	GX24q-3
1	42T	GX24q-4

ELECTRICAL
4-pin electronic ballast standard. Prewired at factory for easy installation. Rated 0°F minimum starting temperature.

LENS (Must specify)

RC	RF	WO
Ribbed clear	Ribbed frosted	White opaque

LENS
One-piece injection-molded UV stabilized polycarbonate lens in assorted styles.

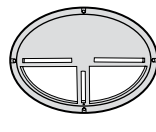
LENS GUARD (Must specify)



O Open



CR Cross



EYEH Horizontal eyelid



EYEV Vertical eyelid

LENS GUARD
One-piece injection-molded UV stabilized polycarbonate in various configurations.

HOUSING AND LENS GUARD COLOR¹ (Must specify)

BLK	BRZ	TTN	WHT
Black	Bronze	Titanium	White

¹ Custom colors not available.

FINISH
Bronze color standard. Optional colors include black, white, and titanium. Custom colors not available.

OPTIONS

TRST² T-15 drive socket for use with tamper-resistant pin-in-Torx screws (Specify quantity)²

² Please specify quantity required per project.

VOLTAGE (Must specify)

UNV
120-277V

MOUNTING
Wall mount.

PHOTOMETRY DESCRIPTION

1/26W Quad CF Horizontal Lamp
13.5" x 10" Oval Wall Mount Luminaire White Reflector with Radial Prism Polycarb Lens and Gray Ring Open Face.

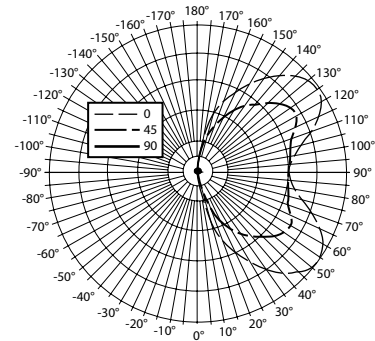
PHOTOMETRY INFORMATION

Williams Outdoor Catalog # WAVO2-126Q-RC-O-UNV
Date 01/14/08
Lamp Quantity: 1

Test Report # 13889.0
Lamp Type: CFQ26W/GX24q/35
Rated Lumens: 1800.

CANDLEPOWER DISTRIBUTION

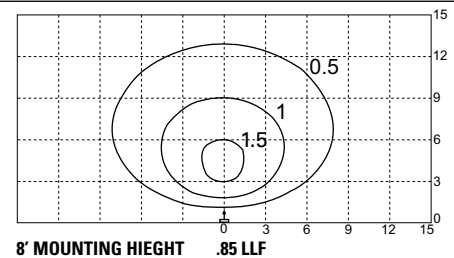
VERTICAL ANGLE	HORIZONTAL ANGLE				
	0	45	90	135	180
0	8.	8.	8.	8.	8.
5	21.	15.	6.	3.	3.
15	96.	50.	4.	0.	1.
25	162.	105.	3.	0.	0.
35	215.	137.	4.	0.	0.
45	252.	167.	5.	0.	1.
55	260.	186.	1.	0.	0.
65	231.	177.	2.	0.	0.
75	185.	164.	3.	0.	0.
85	161.	159.	3.	0.	0.
90	158.	158.	2.	0.	0.



LUMEN SUMMARY

ZONE	LUMENS	% LAMP	% FIXTURE
0 - 30	30.	1.6	3.5
0 - 40	69.	3.8	8.0
0 - 60	203.	11.3	23.6
0 - 90	426.	23.7	49.6
90 - 180	433.	24.0	50.4
TOTAL LUMINAIRE:			
0 - 180	858.	47.7	100.0

ISO FOOTCANDLE CURVE



PHOTOMETRY DESCRIPTION

1/26W Quad CF Vertical Lamp 13.5" x 10" Oval Wall Mount Luminaire White Flat Reflector with Radial Prism Polycarb Lens and Black Vertical Eyelid Face.

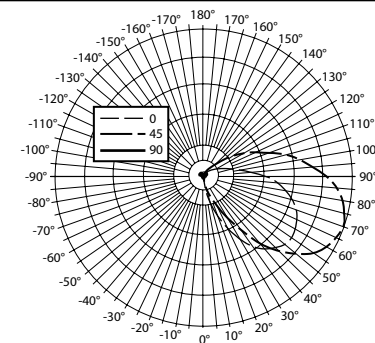
PHOTOMETRY INFORMATION

Williams Outdoor Catalog # WAVO2-126Q-RC-EYEV-UNV
Date 01/14/08
Lamp Quantity: 1

Test Report # 13892.0
Lamp Type: CFQ26W/GX24q/35
Rated Lumens: 1800.

CANDLEPOWER DISTRIBUTION

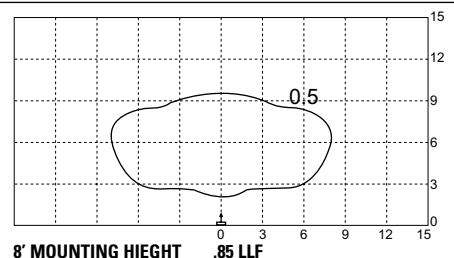
VERTICAL ANGLE	HORIZONTAL ANGLE				
	0	45	90	135	180
0	4.	4.	4.	4.	4.
5	14.	11.	4.	1.	1.
15	42.	26.	3.	0.	0.
25	81.	49.	3.	0.	0.
35	114.	92.	1.	0.	0.
45	135.	143.	1.	0.	0.
55	143.	179.	2.	0.	0.
65	135.	193.	2.	0.	0.
75	119.	191.	1.	0.	0.
85	95.	174.	5.	0.	0.
90	76.	159.	4.	0.	0.



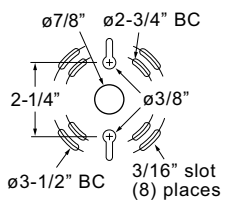
LUMEN SUMMARY

ZONE	LUMENS	% LAMP	% FIXTURE
0 - 30	15.	.8	3.4
0 - 40	39.	2.2	8.8
0 - 60	133.	7.4	30.0
0 - 90	327.	18.2	73.7
90 - 180	117.	6.5	26.3
TOTAL LUMINAIRE:			
0 - 180	444.	24.7	100.0

ISO FOOTCANDLE CURVE



BOLT CIRCLE PATTERN



LABELS

cCSAus certified as luminaire suitable for wet location.

