

# WALL ARCHITECTURAL VANDAL OVAL 3

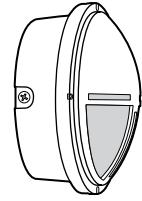
# WAVO3

**SUBMITTAL:**

**JOB:**

**TYPE:**

**VOLTAGE:**



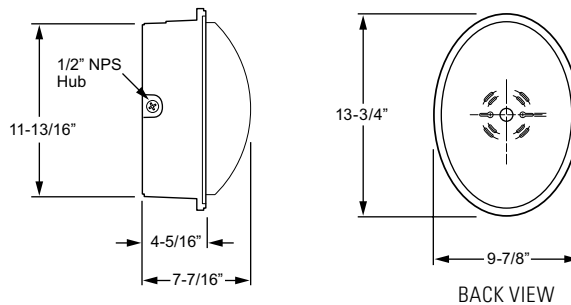
**EXAMPLE:** **WAVO3** - **PSMH** - **50** - **MED** - **RC O** - **BRZ** - **OPTIONS** - **120**

SERIES TYPE WATTAGE LAMP BASE LENS LENS GUARD COLOR OPTIONS VOLTAGE

## SERIES

### FEATURES

- ▶ 1/2" NPS threaded hub and plugged conduit entry points.
- ▶ T-15 tamper-resistant pin-in-Torx stainless steel screws standard (optional T-15 drive socket available).
- ▶ Four color options, four lens guard styles, and three lens types provide design flexibility.
- ▶ Wet location listed. Weep hole on lens guard reduces dirt and moisture accumulation.



**WAVO3 SERIES HOUSING** — One-piece die-cast marine grade aluminum housing.

## ELECTRICAL

Porcelain socket. Prewired at factory for easy installation.  
**PSMH** — Rated -20°F minimum starting temperature.  
**HPS** — Rated -40°F minimum starting temperature.

## LAMP OPTIONS (Must specify)

### PULSE START METAL HALIDE

### HIGH PRESSURE SODIUM

TYPE	WATTAGE	LAMP BASE	TYPE	WATTAGE	LAMP BASE
PSMH	50	MED	HPS	50	MED

## LENS (Must specify)

<b>RC</b> Ribbed clear	<b>RF</b> Ribbed frosted	<b>WO</b> White opaque
------------------------	--------------------------	------------------------

## LENS

One-piece injection-molded U.V. stabilized polycarbonate lens in assorted styles.

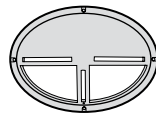
## LENS GUARD (Must specify)



**O** Open



**CR** Cross



**EYEH** Horizontal eyelid



**EYEV** Vertical eyelid

## LENS GUARD

One-piece injection-molded U.V. stabilized polycarbonate in various configurations.

## HOUSING & LENS GUARD COLOR<sup>1</sup> (Must specify)

<b>BLK</b> Black	<b>BRZ</b> Bronze	<b>TTN</b> Titanium	<b>WHT</b> White
------------------	-------------------	---------------------	------------------

<sup>1</sup> Custom colors not available.

## FINISH

Bronze color standard. Optional colors include black, white, and titanium. Custom colors not available.

## OPTIONS

<b>QRS</b> Quartz restrike	<b>PC</b> Factory installed photocell (120V, 208V, or 277V only; must specify voltage)
----------------------------	--

**TRST<sup>2</sup>** T-15 drive socket for use with tamper-resistant pin-in-Torx screws (Specify quantity)<sup>2</sup>

<sup>2</sup> Please specify quantity required per project.

## VOLTAGE (Must specify)

<b>120</b> 120V	<b>208</b> 208V	<b>240</b> 240V	<b>277</b> 277V
<b>347</b> 347V	<b>480</b> 480V		

## MOUNTING

Wall mount.

## PHOTOMETRY DESCRIPTION

1/50W Clear ED17  
PSMH Horizontal Lamp  
13.5" x 10" Oval Wall  
Mount Luminaire White  
Flat Reflector with Radial  
Prism Polycarb Lens and  
Gray Ring Open Face.

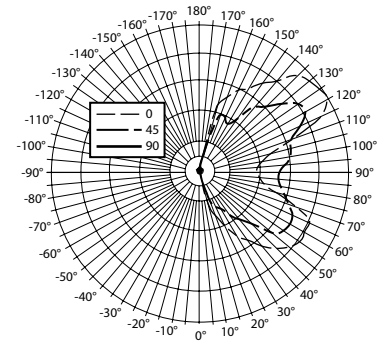
## PHOTOMETRY INFORMATION

Williams Outdoor Catalog # WAVO3-PSMH-50-MB-RC-0  
Date 01/11/08  
Lamp Quantity: 1

Test Report # 13893.0  
Lamp Type: M110  
Rated Lumens: 3400.

### CANDLEPOWER DISTRIBUTION

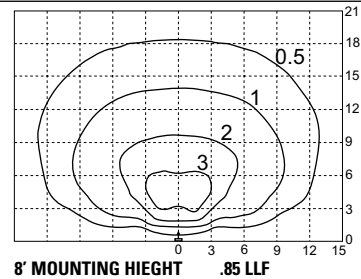
VERTICAL ANGLE	HORIZONTAL ANGLE				
	0	45	90	135	180
0	14.	14.	14.	14.	14.
5	31.	23.	12.	7.	9.
15	202.	82.	11.	0.	1.
25	312.	198.	9.	0.	0.
35	420.	279.	6.	0.	0.
45	542.	374.	5.	0.	0.
55	598.	505.	4.	0.	0.
65	588.	494.	2.	0.	0.
75	354.	417.	5.	0.	0.
85	287.	381.	5.	0.	0.
90	277.	392.	6.	0.	0.



### LUMEN SUMMARY

ZONE	LUMENS	% LAMP	% FIXTURE
0 - 30	66.	1.9	2.9
0 - 40	159.	4.7	7.0
0 - 60	499.	14.7	21.9
0 - 90	1066.	31.3	46.8
90 - 180	1212.	35.6	53.2
TOTAL LUMINAIRE:			
0 - 180	2278.	67.	100.0

### ISO FOOTCANDLE CURVE



## PHOTOMETRY DESCRIPTION

1/50W Clear ED17  
PSMH Vertical Lamp  
13.5" x 10" Oval Wall  
Mount Luminaire White  
Flat Reflector with Radial  
Prism Polycarb Lens and  
Black Vertical Eyelid Face.

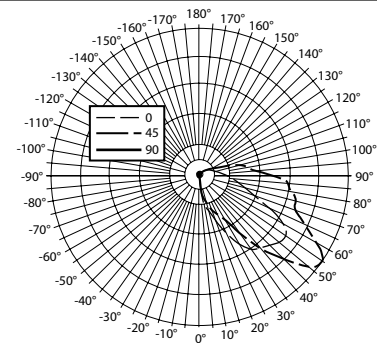
## PHOTOMETRY INFORMATION

Williams Outdoor Catalog # WAVO3-PSMH-50-MB-RC-EYEV  
Date 01/09/08  
Lamp Quantity: 1

Test Report # 13896.0  
Lamp Type: M110  
Rated Lumens: 3400.

### CANDLEPOWER DISTRIBUTION

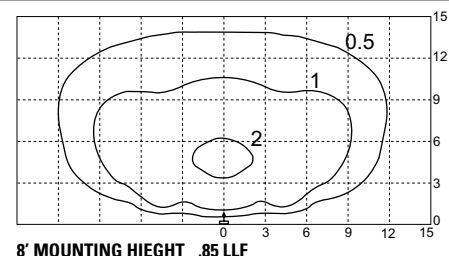
VERTICAL ANGLE	HORIZONTAL ANGLE				
	0	45	90	135	180
0	6.	6.	6.	6.	6.
5	60.	33.	7.	2.	2.
15	124.	101.	10.	0.	0.
25	218.	145.	5.	0.	0.
35	293.	246.	4.	0.	0.
45	318.	388.	4.	0.	0.
55	332.	469.	4.	0.	0.
65	219.	353.	4.	0.	0.
75	134.	312.	3.	0.	0.
85	89.	270.	4.	0.	0.
90	73.	207.	4.	0.	0.



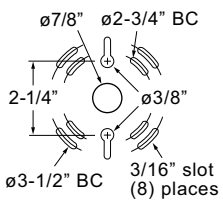
### LUMEN SUMMARY

ZONE	LUMENS	% LAMP	% FIXTURE
0 - 30	51.	1.5	6.3
0 - 40	125.	3.7	15.6
0 - 60	360.	10.6	44.9
0 - 90	691.	20.3	86.3
90 - 180	110.	3.2	13.7
TOTAL LUMINAIRE:			
0 - 180	801.	23.6	100.0

### ISO FOOTCANDLE CURVE



## BOLT CIRCLE PATTERN



## LABELS

cCSAus certified as luminaire suitable for wet location.

