

WALL ARCHITECTURAL VANDAL ROUND 3

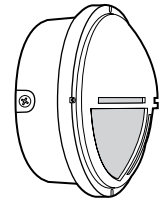
WAVR3

SUBMITTAL:

JOB:

TYPE:

VOLTAGE:



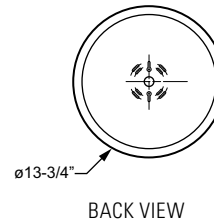
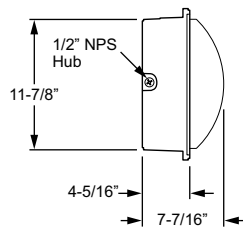
EXAMPLE: **WAVR3** - **PSMH** - **50** - **MED** - **RC O** - **BRZ** - **OPTIONS** - **120**

▼ SERIES
▼ TYPE
▼ WATTAGE
▼ LAMP BASE
▼ LENS
▼ LENS GUARD
▼ COLOR
▼ OPTIONS
▼ VOLTAGE

SERIES

FEATURES

- ▶ 1/2" NPS threaded hub and plugged conduit entry points.
- ▶ T-15 tamper-resistant pin-in-Torx stainless steel screws standard (optional T-15 drive socket available).
- ▶ Four color options, three lens guard styles, and three lens types provide design flexibility.
- ▶ Wet location listed. Weep hole on lens guard reduces dirt and moisture accumulation.



WAVR3 SERIES HOUSING — One-piece die-cast marine grade aluminum housing.

ELECTRICAL
 Porcelain socket. Prewired at factory for easy installation.
PSMH — Rated -20°F minimum starting temperature.
HPS — Rated -40°F minimum starting temperature.

LAMP OPTIONS (Must specify)

PULSE START METAL HALIDE

HIGH PRESSURE SODIUM

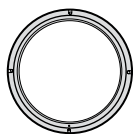
TYPE	WATTAGE	LAMP BASE	TYPE	WATTAGE	LAMP BASE
PSMH	50	MED	HPS	50	MED
PSMH	70	MED	HPS	70	MED
PSMH	100	MED	HPS	100	MED

LENS (Must specify)

RC Ribbed clear **RF** Ribbed frosted **WO** White opaque

LENS
 One-piece injection-molded U.V. stabilized polycarbonate lens in assorted styles.

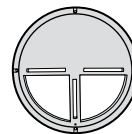
LENS GUARD (Must specify)



O Open



CR Cross



EYE Eyelid

LENS GUARD
 One-piece injection-molded U.V. stabilized polycarbonate in various configurations.

HOUSING & LENS GUARD COLOR¹ (Must specify)

BLK Black **BRZ** Bronze **TTN** Titanium **WHT** White

¹ Custom colors not available.

FINISH
 Bronze color standard. Optional colors include black, white, and titanium. Custom colors not available.

OPTIONS

QRS Quartz restrike **PC** Factory installed photocell (120V, 208V, or 277V only; must specify voltage)

TRST² T-15 drive socket for use with tamper-resistant pin-in-Torx screws (Specify quantity)²

² Please specify quantity required per project.

VOLTAGE (Must specify)

120	120V	208	208V	240	240V	277	277V
347	347V	480	480V				

MOUNTING
 Wall Mount.

WAVR3

WALL ARCHITECTURAL VANDAL ROUND 3

PHOTOMETRY DESCRIPTION

1/50W Clear ED17 PSMH
Lamp 13.5" Diameter Wall
Mount Luminaire White
Flat Reflector with Radial
Prism Polycarb Lens and
Black Ring Open Face.

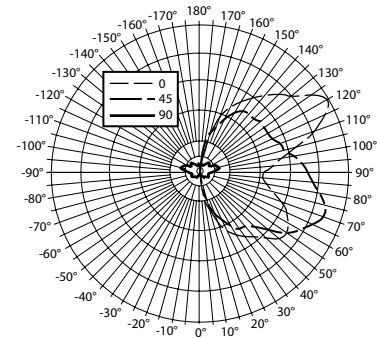
PHOTOMETRY INFORMATION

Williams Outdoor Catalog # WAVR3-PSMH-50-MB-RC-0
Date 01/09/08
Lamp Quantity: 1

Test Report # 13886.0
Lamp Type: M110
Rated Lumens: 3400.

CANDLEPOWER DISTRIBUTION

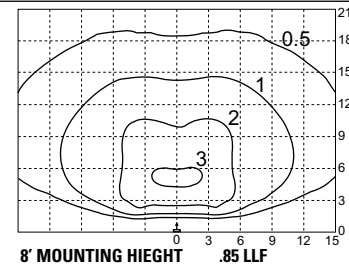
VERTICAL ANGLE	0	45	90	135	180
0	9.	9.	9.	9.	9.
5	63.	36.	7.	2.	3.
15	194.	178.	9.	0.	0.
25	316.	256.	12.	0.	0.
35	388.	339.	18.	0.	0.
45	457.	375.	28.	0.	0.
55	527.	526.	28.	0.	0.
65	480.	608.	47.	0.	0.
75	383.	644.	43.	0.	0.
85	318.	561.	40.	0.	0.
90	316.	536.	44.	0.	0.



LUMEN SUMMARY

ZONE	LUMENS	%LAMP	% FIXTURE
0 - 30	83.	2.4	3.2
0 - 40	188.	5.5	7.2
0 - 60	577.	17.0	22.0
0 - 90	1364.	40.1	52.1
90 - 180	1255.	36.9	47.9
TOTAL LUMINAIRE:			
0 - 180	2619.	77.0	100.0

ISO FOOTCANDLE CURVE



PHOTOMETRY DESCRIPTION

1/50W Clear ED17 PSMH
Lamp 13.5" Diameter Wall
Mount Luminaire White
Flat Reflector with Radial
Prism Polycarb Lens and
Black Eyelid Face.

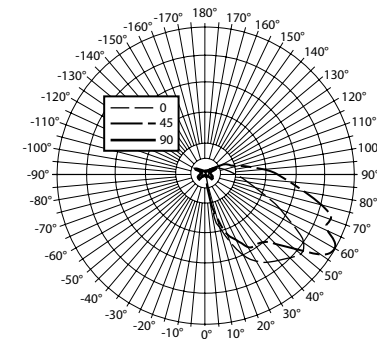
PHOTOMETRY INFORMATION

Williams Outdoor Catalog # WAVR3-PSMH-50-MB-RC-EYE
Date 01/09/08
Lamp Quantity: 1

Test Report # 13888.0
Lamp Type: M110
Rated Lumens: 3400.

CANDLEPOWER DISTRIBUTION

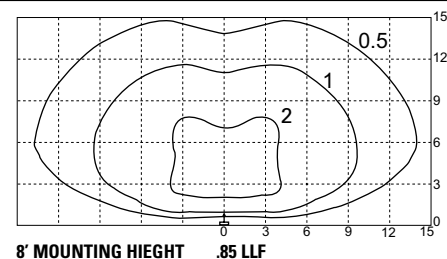
VERTICAL ANGLE	0	45	90	135	180
0	12.	12.	12.	12.	12.
5	60.	39.	10.	5.	4.
15	177.	165.	12.	0.	0.
25	275.	223.	14.	0.	0.
35	324.	259.	17.	0.	0.
45	353.	304.	26.	0.	0.
55	339.	422.	21.	0.	0.
65	224.	383.	14.	0.	0.
75	131.	331.	10.	0.	0.
85	89.	229.	11.	0.	0.
90	73.	194.	12.	0.	0.



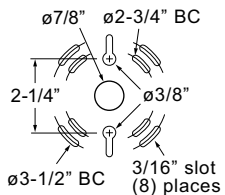
LUMEN SUMMARY

ZONE	LUMENS	%LAMP	% FIXTURE
0 - 30	72.	2.1	7.5
0 - 40	161.	4.7	16.9
0 - 60	474.	13.9	49.5
0 - 90	843.	24.8	88.0
90 - 180	115.	3.4	12.0
TOTAL LUMINAIRE:			
0 - 180	958.	28.2	100.0

ISO FOOTCANDLE CURVE



BOLT CIRCLE PATTERN



LABELS

cCSAus certified as
luminaire suitable
for wet location.

