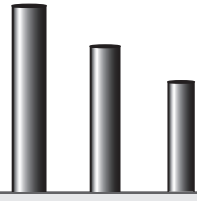


ROUND STRAIGHT ALUMINUM POLE

RSA



SUBMITTAL:

JOB:

TYPE:

EXAMPLE: VM - RSA - 080 - 0400 - 125 - T238 - DBR - AB - OPTIONS

PREFIX SERIES HEIGHT SHAFT DIAMETER WALL THICKNESS FIXTURE MOUNTING FINISH OPTIONS ANCHOR BOLTS OPTIONS

SERIES

RSA — The RSA Series round straight aluminum pole features one-piece construction in heights up to 30'.

HEIGHT* (Must specify)

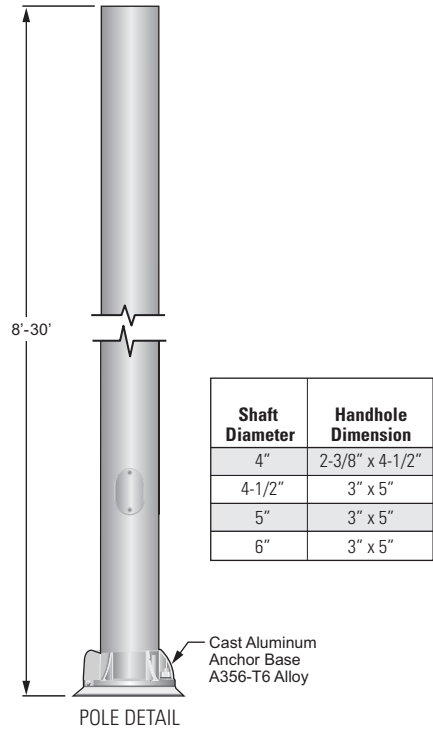
080	8'-0" (.125" and .188" wall thickness only)
100	10'-0"
120	12'-0"
140	14'-0"
160	16'-0"
180	18'-0"
200	20'-0"
250	25'-0"
300'	30'-0" (.188" wall thickness only)

SHAFT DIAMETER* (Must specify)

0400	4.00" (Up to 16' only)
0450	4.50" (8' - 25' only)
0500	5.00" (10' - 20' only)
0600	6.00" (16' - 30' only)

WALL THICKNESS* (Must specify)

125	0.125" (Up to 20' only)
156	0.156" (12' - 25' only)
188	0.188"



RSA SERIES

SHAFT — The shaft is extruded from all new seamless 6063 alloy aluminum and is heat treated to produce a T6 temper. The shaft may be drilled to specifications for mounting luminaires. Shafts are polished with a fine grain aluminum oxide cloth, resulting in a high quality, satin brushed finish. After finishing, each pole is fully wrapped for protection in shipment.

HANDHOLE — All round straight aluminum poles include a wire access opening with a flush cover.

ANCHOR BASE — The anchor base is cast from A356 alloy aluminum and is circumferentially welded to the shaft. The completed assembly will be heat treated to T6 temper after all structural welding is completed. A356 alloy aluminum nut covers included with each anchor base unless otherwise specified.

GROUND LUG PROVISION — Each pole includes a 5/16"-18 tapped provision for ground connector.

* For available Base Diameter, Wall Thickness and Height combinations, see Load and Dimensional Data Table on page 1C and 1D.

FIXTURE MOUNTING

Luminaires may be mounted on tenons or shaft may be drilled to specifications. When poles are drilled for luminaire mounting, black plastic pole top caps will be supplied. See Williams' Pole Top Assemblies for various fixture mounting tenon and arm assemblies.

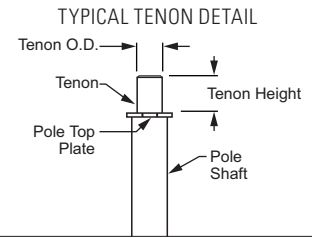
RADIAL INDEX

The Radial Index references how parts are oriented around the shaft. A degree measurement is used from a base point. The standard base point of reference is the handhole. Degrees are measured in a clockwise motion as viewed from the top of the shaft.

FIXTURE MOUNTING (Must specify)

POLE TOP MOUNT

T238	2-3/8" O.D. x 4" Round Tenon (Use with Williams' Pole Top Tenon Mounts)
T278	2-7/8" O.D. x 4" Round Tenon
T33	3" O.D. x 3" Round Tenon (Use with Williams' Historic Pole Top Assemblies)
T312	3-1/2" O.D. x 12" Round Tenon (Use with Williams' AVPT Decorative Pole Top Assemblies)
TC_	Custom Round Tenon (Must specify tenon diameter (O.D.) and height, consult factory)

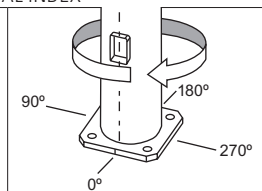
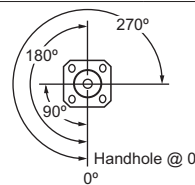


DRILLED SIDE MOUNT

Must specify drilling location using codes below. See radial index for clarification.

EXAMPLE: SM/S
(Side mount drill, single fixture located at 0°)

RADIAL INDEX



SM/S
Side Mount Drill/Single 0°
(Located at 0°)



SM/D90
Side Mount Drill/Double 90°
(Located at 0° and 90°)



SM/D180
Side Mount Drill/Double 180°
(Located at 0° and 180°)



SM/T90
Side Mount Drill/Triple 90°
(Located at 0°, 90°, and 180°)



SM/T120
Side Mount Drill/Triple 120°
(Located at 0°, 120°, and 240°)



SM/Q90
Side Mount Drill/Quad 90°
(Located at 0°, 90°, 180°, and 270°)

FINISH OPTIONS

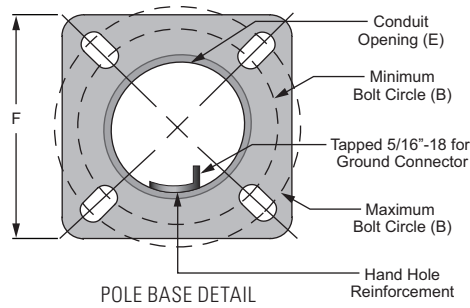
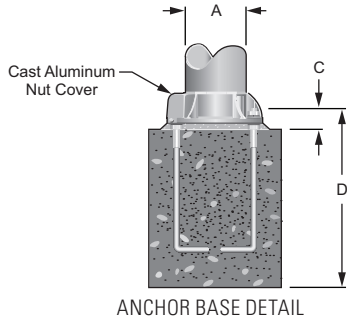
Polyester powder coat applied over chromate pre-treatment.

FINISH OPTIONS (Must specify)

BLK	Black (RAL#9004)	DBR	Dark Bronze (Protech #PC21462)
GRAY	Standard Gray (Protech #PC18367)	GRN	Green (RAL#6005)
SLV	Satin Aluminum (RAL#9006)	WHT	White (RAL#9003)
RAL#	Specify custom color		

ANCHOR BOLTS (Must specify)

AB	Anchor bolts (4 each, shipped with pole)
LAB	Less anchor bolts
PAB	Pre-shipped Anchor Bolts (4 each)



POLE O.D. (A)	BOLT CIRCLE (B)	BOLT PROJECT. (C)	BOLT SIZE (D)	CONDUIT OPENING (E)	BASE SIZE (F)
4"	6.5" - 8.25"	3.25"	.75" x 17"	3.75"	8.75"
4.5"	7" - 8.625"	3.25"	.75" x 17"	4.125"	8.75"
5"	7.5" - 9.5"	3.25"	.75" x 17"	4.5"	9.25"
6"	8.75" - 10.25"	3.5"	.75" x 17"	5.5"	10.25"

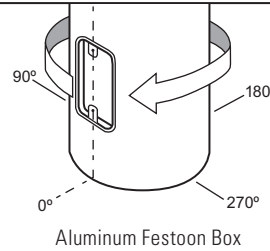
ANCHOR BOLTS

Each pole includes four steel hot dip galvanized anchor bolts each with two nuts and two flat washers sized to match the anchor bolts. Template provided with every pole and anchor bolt order.

OPTIONS

FS Festoon Box only

NOTE: Casting only. Outlet, cover and hardware by others. The festoon box is located above the access door at 0°, approximately 41" above ground level.



SBC Spun Aluminum Base Cover

VB1 Vibration Damper (Factory installed)

VB2 Vibration Damper (Field Installed, 10'-20')

VB3 Vibration Damper (Field Installed 22'-30')

LOAD AND DIMENSIONAL DATA (Continued on back)

NOMINAL MTG. HEIGHT	CATALOG NUMBER	SHAFT			MAXIMUM LUMINAIRE WT. (LBS)	MAX EPA (SQ FT) ^{2,3}				
		POLE HEIGHT	SHAFT O.D.	WALL THK.		70 MPH	80 MPH	90 MPH	100 MPH	110 MPH
8'	RSA-080-0400-125	8'	4.00"	.125"	75	17.8	13.2	10.1	8.0	6.5
	RSA-080-0450-125		4.50"	.125"	75	23.1	17.2	13.3	10.7	8.8
	RSA-080-0450-188		4.50"	.188"	75	34.0	25.6	20.0	16.1	13.3
10'	RSA-100-0400-125	10'	4.00"	.125"	75	13.2	9.8	7.2	5.5	4.5
	RSA-100-0450-125		4.50"	.125"	150	16.9	12.5	9.5	7.6	6.2
	RSA-100-0450-188		4.50"	.188"	150	25.6	19.2	14.8	11.9	9.6
	RSA-100-0500-125		5.00"	.125"	150	21.5	16.0	12.5	10.0	8.1
12'	RSA-120-0400-125	12'	4.00"	.125"	75	9.9	7.1	5.1	3.8	3.1
	RSA-120-0450-125		4.50"	.125"	75	13.2	9.5	7.1	5.6	4.5
	RSA-120-0450-188		4.50"	.188"	75	20.2	14.9	11.4	9.1	7.4
	RSA-120-0500-125		5.00"	.125"	150	16.6	12.1	9.4	7.4	6.0
	RSA-120-0500-156		5.00"	.156"	150	21.1	15.5	12.1	9.6	7.9
	RSA-120-0500-188		5.00"	.188"	150	25.5	19.1	14.8	11.9	9.6

² Effective Projected Area (EPA) calculations are based on a 1.3 Gust Factor. Variations from sizes listed above available upon inquiry. Satisfactory performance of lighting poles is dependent upon the pole being properly attached to a supporting foundation of adequate design. H.E. Williams, Inc. does not offer recommendations for foundations. See Williams Outdoor Information Section, page 6, for Load and Dimensional Data specifics.

³ Wind map provided in Williams Outdoor information section, pole information page 6.

LOAD AND DIMENSIONAL (cont'd)

NOMINAL MTG. HEIGHT	CATALOG NUMBER	SHAFT			MAXIMUM LUMINAIRE WT. (LBS)	MAX EPA (SQ FT) ^{2,3}				
		POLE HEIGHT	SHAFT O.D.	WALL THK.		70 MPH	80 MPH	90 MPH	100 MPH	110 MPH
14'	RSA-140-0400-125	14'	4.00"	.125"	150	7.2	4.8	3.3	2.2	1.8
	RSA-140-0450-125		4.50"	.125"	150	9.8	6.8	4.9	3.9	3.1
	RSA-140-0450-188		4.50"	.188"	150	15.8	11.4	8.6	6.8	5.4
	RSA-140-0500-125		5.00"	.125"	150	12.8	9.2	7.1	5.5	4.5
	RSA-140-0500-156		5.00"	.156"	150	16.7	12.1	9.4	7.4	6.0
	RSA-140-0500-188		5.00"	.188"	150	20.5	15.1	11.6	9.3	7.5
16'	RSA-160-0400-125	16'	4.00"	.125"	150	5.2	3.3	1.9	1.2	0.8
	RSA-160-0450-125		4.50"	.125"	150	7.4	4.9	3.3	2.5	1.9
	RSA-160-0450-188		4.50"	.188"	150	12.6	8.8	6.5	5.1	4.0
	RSA-160-0500-125		5.00"	.125"	150	10.0	6.9	5.2	4.0	3.2
	RSA-160-0500-156		5.00"	.156"	150	13.3	9.4	7.2	5.6	4.5
	RSA-160-0500-188		5.00"	.188"	150	16.5	11.9	9.2	7.2	5.8
	RSA-160-0600-156		6.00"	.156"	150	21.3	16.0	12.5	9.9	8.0
	RSA-160-0600-188		6.00"	.188"	150	26.2	19.8	15.3	12.2	10.0
18'	RSA-180-0450-188	18'	4.50"	.188"	150	10.0	6.7	4.7	3.6	2.8
	RSA-180-0500-125		5.00"	.125"	150	7.6	5.1	3.6	2.8	2.1
	RSA-180-0500-156		5.00"	.156"	150	10.5	7.2	5.4	4.1	3.3
	RSA-180-0500-188		5.00"	.188"	150	13.3	9.4	8.0	5.5	4.5
	RSA-180-0600-188		6.00"	.188"	150	21.8	16.4	12.6	10.0	8.1
20'	RSA-200-0450-188	20'	4.50"	.188"	150	8.0	5.1	3.4	2.5	1.9
	RSA-200-0500-125		5.00"	.125"	150	5.8	3.5	2.5	1.8	1.3
	RSA-200-0500-156		5.00"	.156"	150	8.5	5.5	4.0	3.1	2.4
	RSA-200-0500-188		5.00"	.188"	150	11.1	7.5	5.6	4.2	3.3
	RSA-200-0600-156		6.00"	.156"	150	14.8	10.9	8.4	6.5	5.2
	RSA-200-0600-188		6.00"	.188"	150	18.7	13.9	10.7	8.4	6.7
25'	RSA-250-0450-188 ⁴	25'	4.50"	.188"	150	3.6	1.5	—	—	—
	RSA-250-0600-156 ⁴		6.00"	.156"	150	8.6	6.1	4.5	3.3	2.5
	RSA-250-0600-188		6.00"	.188"	150	11.5	8.4	6.2	4.7	3.6
30'	RSA-300-0600-188 ⁴	30'	6.00"	.188"	200	6.1	4.1	2.8	1.9	1.3

² Effective Projected Area (EPA) calculations are based on a 1.3 Gust Factor. Variations from sizes listed above available upon inquiry. Satisfactory performance of lighting poles is dependent upon the pole being properly attached to a supporting foundation of adequate design. H.E. Williams, Inc. does not offer recommendations for foundations. See Williams Outdoor Information Section, page 6, for Load and Dimensional Data specifics.

³ Wind map provided in Williams Outdoor information section, pole information page 6.

⁴ Pole includes factory installed vibration damper.

• Pole installations in various parts of the country perform satisfactorily; however, in select locations destructive vibration can occur. H.E. Williams, Inc. is not responsible for vibration induced fatigue damage.

• H.E. Williams, Inc. warrants this product to be free from defects in materials and workmanship. Any defective part returned within one year from the date of delivery of the goods will be repaired or replaced without charge, F.O.B. factory.

This warranty specifically excludes fatigue or similar phenomena resulting from induced vibration, harmonic oscillation or resonance associated with movement of air currents around the product.

The above warranties are given in lieu of all other warranties express or implied, including without limitation, the warranty of merchantability and the warranty of suitability for a particular purpose. It is expressly stated that H.E. Williams, Inc. assumes no liability for consequential or liquidated damages arising out of a breach of the sale, including any warranties arising therefrom, and buyer's remedy shall be limited to repair or replacement of defective parts as described above.

Any action for the breach under a sale including any warranties arising therefrom must be commenced within one year after the cause of action accrues.