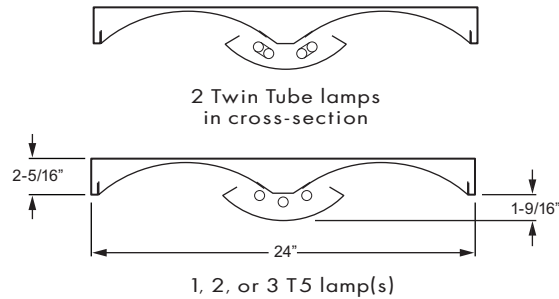
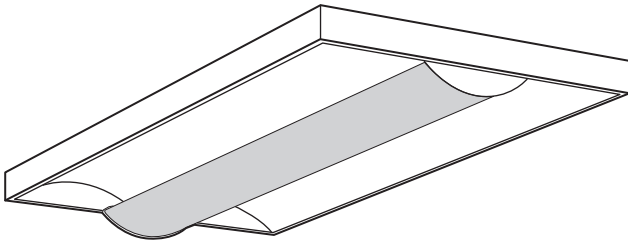


2' x 4' DIRECT/INDIRECT SHALLOW SURFACE MOUNT

SERIES **DISHS**
2' x 4'

JOB _____
TYPE _____
VOLTAGE _____



SPECIFICATIONS

- HOUSING – 22-gauge die-formed C.R.S.
- SHIELDING – Die-formed C.R.S., 50% open perforation, white powder coated diffuser with matte white acrylic overlay.
- REFLECTOR – Precision die-formed C.R.S. with highly-reflective, non-glare textured matte white polyester powder coated finish.
- FINISH – Highly-reflective textured matte white powder coat with multi-stage iron/phosphate prepared metal.
- ELECTRICAL – Electronic ballast standard, instant start T8, programmed start T5, rated Class P.
- LABELS – UL/CUL listed as fluorescent luminaire suitable for dry or damp locations.
- MOUNTING – Surface.

FEATURES

- Choice of diffusers include full round, split round, and round with a center acrylic accent.
- Gently curved diffuser below the bottom plane of the fixture allows a uniform light distribution that brightens walls and ceilings.
- Swing down diffuser for easy access to the electrical components.
- Up to three T5 or two twin tube lamps in cross-section for a variety of applications and illumination levels.
- Optional anti-microbial powder coating available to prevent the spread of dangerous micro-organisms and suppress the growth of mold and bacteria.
- All parts painted after fabrication to facilitate installation, increase efficiency, and inhibit corrosion.
- This fixture is proudly made in the USA.

ORDERING INFORMATION

Submittal

EXAMPLE: **DISHS** - **2** **4** - **2** **54T5H** - **WPR** - **OPTIONS** - **EB2** - **UNV**

SERIES	
DISHS	Direct/Indirect Shallow Surface Mount
NOMINAL WIDTH	
2	2'
NOMINAL LENGTH	
4	4'
TOTAL LAMPS	
1, 2, or 3	(T5 only)
4	(2-lamp twin tube cross-section only)

LAMP WATTAGE/TYPE	
28T5S	4', 28-watt T5
40TT	2', 40-watt long twin tube
50TT	2', 50-watt long twin tube
54T5H	4', 54-watt T5HO
55TT	2', 55-watt long twin tube

SHIELDING	
WPR	White perforated round diffuser
WPR/SPLIT	White perforated round w/split diffuser
WPR/ACRY/CTR/CLR	White perforated round w/center clear acrylic (other colors available)

OPTIONS	
DUSTCVR	Dust and debris cover (WPR only)
AMW	Anti-microbial white finish

BALLAST TYPE	
EB1	1-lamp electronic ballast
EB2	2-lamp electronic ballast
EB3	3-lamp electronic ballast
EB4	4-lamp electronic ballast
EB2/1	(1) 2-lamp & (1) 1-lamp electronic ballast
EB2/2	(2) 2-lamp electronic ballasts

VOLTAGE	
120	120V
277	277V
UNV	120-277V
347	347V

Note: For more options/accessories, ballast combinations, and product details, please consult factory.



FLUORESCENT LIGHTING

DISHS

2' x 4'

SERIES

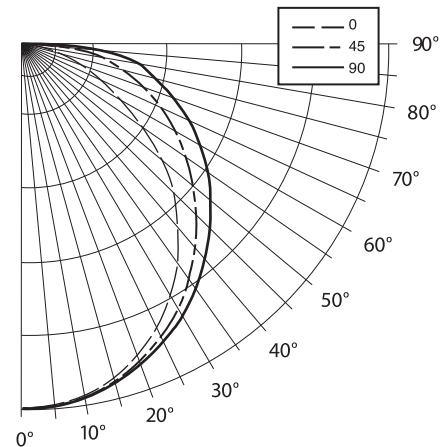
PHOTOMETRY INFORMATION

Williams Catalog #DISHS-24-254T5H-WPR
 Test Report #12900.0, Dated 12/13/05

Lamp Type: FP54T5HO/835
 Lamp Quantity: 2

CANDLEPOWER DISTRIBUTION

VERT. ANG.	HORIZONTAL ANGLE			ZONAL LUMENS
	0	45	90	
0	2243.	2243.	2243.	
5	2230.	2240.	2233.	213.3
15	2130.	2158.	2163.	609.7
25	1940.	2000.	2030.	922.8
35	1665.	1785.	1853.	1111.7
45	1320.	1515.	1640.	1160.2
55	918.	1235.	1398.	1074.9
65	535.	948.	1143.	888.7
75	240.	660.	860.	643.3
85	48.	335.	493.	334.1
90	0.	63.	115.	



LUMEN SUMMARY

ZONE	LUMENS	% LAMP	% FIXTURE
0 - 30	1746.	17.5	25.1
0 - 40	2858.	28.6	41.0
0 - 60	5093.	50.9	73.1
0 - 90	6959.	69.6	99.9
0-180	6968.	69.7	100.0

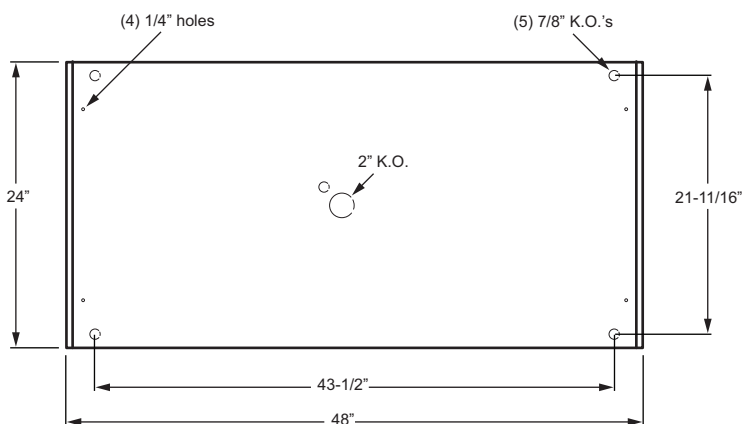
TOTAL LUMINAIRE OPTICAL EFFICIENCY = 69.7%
 SPACING CRITERIA: END = 1.2 DIAG = 1.3 ACROSS = 1.3

ZONAL CAVITY COEFFICIENTS

EFFECTIVE FLOOR CAVITY REFL. = .20

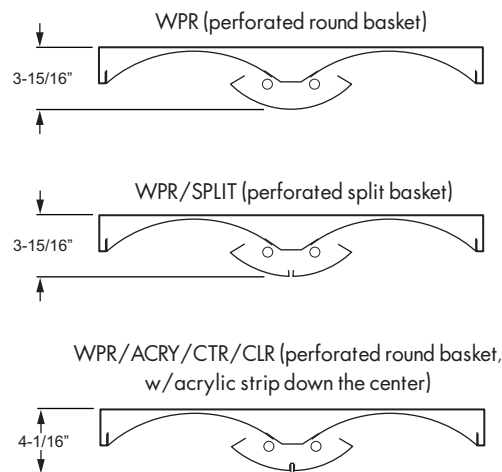
CEILING WALL RCR	.80			.70			.50		
	.70	.50	.30	.70	.50	.30	.50	.30	.10
0	83	83	83	81	81	81	77	77	77
1	75	72	69	73	70	67	67	65	62
2	68	62	57	67	61	56	59	55	51
3	62	55	49	61	54	48	52	47	43
4	57	49	42	56	48	42	46	41	37
5	52	43	36	51	42	36	41	35	31
6	48	38	32	47	38	32	36	31	27
7	44	34	28	43	34	28	33	27	23
8	41	31	25	39	30	25	29	24	20
9	37	28	22	36	27	22	26	21	18
10	35	25	19	34	25	19	24	19	16

BACK VIEW



DIFFUSERS

Three (3) diffuser options available. Consult factory for verification.



H. E. WILLIAMS, INC.

H.E. Williams, Inc. • Carthage, Missouri • www.hewilliams.com • 417-358-4065 • Fax: 417-358-6015

Information contained herein is subject to change without notice.

HEWJP60843 09/01/11RJ