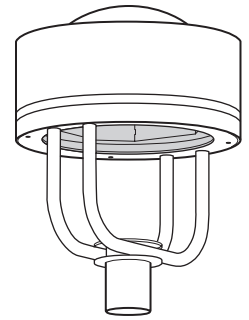


18" ROUND YOKE MOUNT AREA LIGHT WITH HORIZONTAL LAMP

OBSH18



SUBMITTAL:

JOB:

TYPE:

VOLTAGE:

EXAMPLE:

OBSH18 - 250PSMH120 - T3 - DBR - OPTIONS

SERIES

ELECTRICAL PACKAGE

DIST.

FINISH OPTIONS

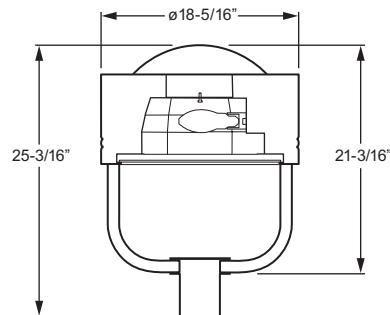
OPTIONS/ ACCESSORIES



This fixture is proudly made in the USA.

SERIES

- ▶ Yoke mount design for pole top mounting.
- ▶ Spring latches lock hinged fixture housing into place for easy relamping.
- ▶ Architecturally designed with a horizontal reveal.
- ▶ HID lamping up to 250 watts.
- ▶ 90° rotatable reflector allows orientation to be easily altered on-site.
- ▶ Highly specular, multi-faceted aluminum reflector.
- ▶ Optional reflector-mounted house shield available.



EPA: 1.25/Weight: 31 Lbs.

OBSH18 SERIES

HOUSING — One-piece spun aluminum housing, .100" wall thickness, with internal reinforcement and component bracketing.

DOOR — Cast aluminum hinged door fastened using stainless steel hardware.

LENS — Clear, .187" thick high-impact, heat-resistant tempered glass flat lens, secured with retaining clips, sealed with silicone.

ELECTRICAL PACKAGE (Must specify)

PULSE START METAL HALIDE

Lamp:	E17	E17	BT28
Socket:	E26 Medium	E26 Medium	E39 Mogul
ANSI Ballast Code:	M90	M102	M153
	100PSMH120	150PSMH120	250PSMH120
	100PSMH208	150PSMH208	250PSMH208
	100PSMH240	150PSMH240	250PSMH240
	100PSMH277	150PSMH277	250PSMH277
	100PSMH347	150PSMH347	250PSMH347
	100PSMH480	150PSMH480	250PSMH480

HIGH PRESSURE SODIUM

Lamp:	E17	ET18
Socket:	E26 Medium	E39 Mogul
ANSI Ballast Code:	S55	S50
	150HPS120	250HPS120
	150HPS208	250HPS208
	150HPS240	250HPS240
	150HPS277	250HPS277
	150HPS347	250HPS347
	150HPS480	250HPS480

ELECTRICAL PACKAGE

PSMH — Rated -20°F minimum starting temperature.

HPS — Rated -40°F minimum starting temperature.

All PSMH and HPS electrical packages include porcelain socket. Core and coil ballast. Prewired at factory to a disconnect plug for easy field installation. HX-HPF or CWA ballast type standard. Lamp is optional, please specify when ordering.



OBSH18

18" ROUND YOKE MOUNT AREA LIGHT WITH HORIZONTAL LAMP

REFLECTOR

Precisely formed highly specular, multi-faceted aluminum reflector secured with thumb screws. The reflector can be rotated in 90° increments allowing orientation to be altered on-site.

FINISH OPTIONS

Super durable polyester powder coat meets and exceeds AAMA 2604 specifications for outdoor durability.

MOUNTING

Yoke mount consists of two parallel 1" O.D. aluminum tubes formed and welded to a cast aluminum door and slip fitter. Fits 3" O.D. x 3" tenon or pole top.

LABELS

cCSAus certified as luminaire suitable for wet locations.

DISTRIBUTION (Must specify)



T2
Type II



T3
Type III



TFT
Type forward throw



T5
Type V

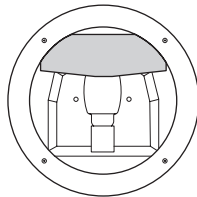
FINISH OPTIONS (Must specify)

BLK	Black (RAL #9004)
DBR	Dark bronze (Protech #PC21462)
GRAY	Standard gray (Protech #PC18367)
GRN	Green (RAL #6005)
SLV	Satin aluminum (RAL #9006)
WHT	White (RAL #9003)
RAL# _____	Specify custom color

OPTIONS

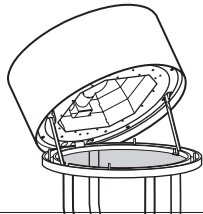
SF	Single fuse (120V, 277V, or 347V only; must specify voltage)	DF	Double fuse (208V, 240V, or 480V only; must specify voltage)
-----------	--	-----------	--

ACCESSORIES



DHS Reflector-mounted house shield

RELAMPING FEATURE



Spring latches lock hinged fixture housing into place for easy relamping. For detailed relamping instructions go to www.hewilliams.com.

