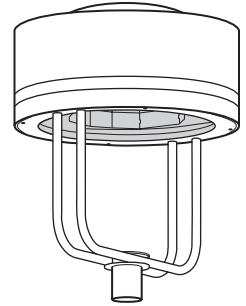


27" ROUND YOKE MOUNT AREA LIGHT WITH HORIZONTAL LAMP

OBSH27



SUBMITTAL:

JOB:

TYPE:

VOLTAGE:

EXAMPLE:

OBSH27 - 1000PSMH120 - T3 - DBR - OPTIONS

SERIES

ELECTRICAL PACKAGE

DIST.

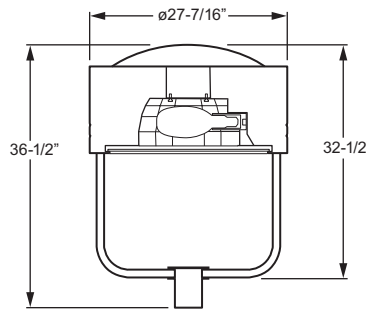
FINISH OPTIONS

OPTIONS/ACCESSORIES

SERIES

- ▶ Yoke mount design for pole top mounting.
- ▶ Spring latches lock hinged fixture housing into place for easy relamping.
- ▶ Architecturally designed with a horizontal reveal.
- ▶ HID lamping up to 1000 watts.
- ▶ 90° rotatable reflector allows orientation to be easily altered on-site.
- ▶ Highly specular, multi-faceted aluminum reflector.
- ▶ Optional reflector-mounted house shield available.

This fixture is proudly made in the USA.



EPA: 2.48/Weight: 69 Lbs.



OBSH27 SERIES

HOUSING — One-piece spun aluminum housing, .100" wall thickness, with internal reinforcement and component bracketing.

DOOR — Cast aluminum hinged door fastened using stainless steel hardware.

LENS — Clear, .187" thick high-impact, heat-resistant tempered glass flat lens, secured with retaining clips, sealed with silicone.

ELECTRICAL PACKAGE (Must specify)

PULSE START METAL HALIDE

Lamp:	BT28	BT37	BT37
Socket:	E39 Mogul	E39 Mogul	E39 Mogul
ANSI Ballast Code:	M154	M155	M141
	320PSMH120	400PSMH120	1000PSMH120
	320PSMH208	400PSMH208	1000PSMH208
	320PSMH240	400PSMH240	1000PSMH240
	320PSMH277	400PSMH277	1000PSMH277
	320PSMH347	400PSMH347	1000PSMH347
	320PSMH480	400PSMH480	1000PSMH480

HIGH PRESSURE SODIUM

Lamp:	ET18	E25
Socket:	E39 Mogul	E39 Mogul
ANSI Ballast Code:	S51	S52
	400HPS120	1000HPS120
	400HPS208	1000HPS208
	400HPS240	1000HPS240
	400HPS277	1000HPS277
	400HPS347	1000HPS347
	400HPS480	1000HPS480

ELECTRICAL PACKAGE

PSMH — Rated -20°F minimum starting temperature.

HPS — Rated -40°F minimum starting temperature.

All PSMH and HPS electrical packages include porcelain socket. Core and coil ballast mounted on removable ballast tray. Prewired at factory to a disconnect plug for easy field installation. HX-HPF or CWA ballast type standard. Lamp is optional, please specify when ordering.



OBSH27

27" ROUND YOKE MOUNT AREA LIGHT WITH HORIZONTAL LAMP

REFLECTOR

Precisely formed highly specular, multi-faceted aluminum reflector secured with thumb screws. The reflector can be rotated in 90° increments allowing orientation to be altered on-site.

FINISH OPTIONS

Super durable polyester powder coat meets and exceeds AAMA 2604 specifications for outdoor durability.

MOUNTING

Yoke mount consists of two parallel 1" O.D. aluminum tubes formed and welded to a cast aluminum door and slip fitter. Fits 3" O.D. x 3" tenon or pole top.

LABELS

cCSAus certified as luminaire suitable for wet locations.

DISTRIBUTION (Must specify)



T2
Type II



T3
Type III



TFT
Type forward throw



T5
Type V

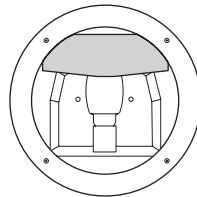
FINISH OPTIONS (Must specify)

BLK	Black (RAL #9004)
DBR	Dark bronze (Protech #PC21462)
GRAY	Standard gray (Protech #PC18367)
GRN	Green (RAL #6005)
SLV	Satin aluminum (RAL #9006)
WHT	White (RAL #9003)
RAL# _____	Specify custom color

OPTIONS

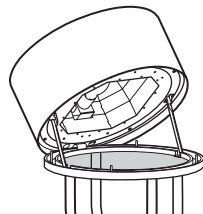
SF	Single fuse (120V, 277V, or 347V only; must specify voltage)	DF	Double fuse (208V, 240V, or 480V only; must specify voltage)
-----------	--	-----------	--

ACCESSORIES



DHS Reflector-mounted house shield

RELAMPING FEATURE



Spring latches lock hinged fixture housing into place for easy relamping. For detailed relamping instructions go to www.hewilliams.com.

