

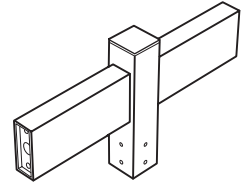
# SQUARE STEEL POLE TOP TENON MOUNT

# TNSS

**SUBMITTAL:**

**JOB:**

**TYPE:**

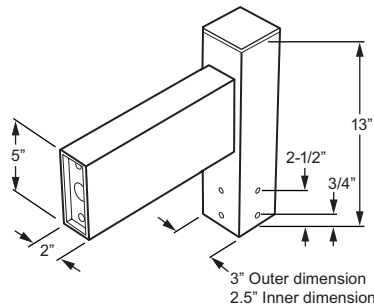


EXAMPLE: **TNSS - S - 08 - DBR**

SERIES      FIXTURE MOUNTING      ARM LENGTH      FINISH OPTIONS

## SERIES

**TNSS** — Sturdy construction includes arms of rectangular steel tubing securely welded to square center shaft with steel end plates for strength and reliability. A variety of configurations allow mounting up to four fixtures.



TENON MOUNT DETAIL

**TNSS must mount on a 2-3/8" O.D. x 4" (T238) pole top tenon.**

## TNSS SERIES

**TENON MOUNT** — Arms are .188" thick carbon steel rectangular tubing welded to .25" thick steel, 3" square vertical center shaft. The tenon mount is secured to a 2-3/8" pole top tenon (minimum 3" tenon height required) by eight stainless steel set screws.

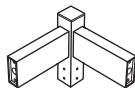
**LUMINAIRE MOUNTING** — The luminaire mounts using two 1/2"-13 concealed bolts secured to a C.R.S. mounting plate.

**POLE CAP** — Tough, glass-filled polyester pole cap withstands aging and harsh environments.

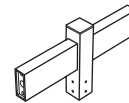
## FIXTURE MOUNTING (Must specify)



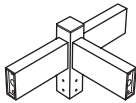
**S** Single



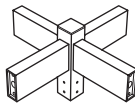
**D90** Double 90°



**D180** Double 180°



**T90** Triple 90°



**Q90** Quad 90°

## ARM LENGTH<sup>1</sup> (Must specify)

<b>08</b>	8" Arm	<b>11</b>	11" Arm	<b>13</b>	13" Arm
-----------	--------	-----------	---------	-----------	---------

<sup>1</sup> See easy reference chart on back for appropriate arm length per fixture.

## FINISH OPTIONS (Must specify)

<b>BLK</b>	Black (RAL# 9004)	<b>DBR</b>	Dark Bronze (Protech #PC21462)
<b>GRAY</b>	Standard Gray (Protech #PC18367)	<b>GRN</b>	Green (RAL# 6005)
<b>SLV</b>	Satin Aluminum (RAL# 9006)	<b>WHT</b>	White (RAL# 9003)
<b>RAL# ____</b>	Specify Custom Color		

## FINISH OPTIONS

Super durable polyester powder coat meets and exceeds AAMA 2604 specifications for outdoor durability.

## STEEL POLE TOP TENON

CONFIGURATION	8" TENON WEIGHT	11" TENON WEIGHT	13" TENON WEIGHT
<b>S</b>	15.90	17.92	19.27
<b>D90</b>	21.72	25.76	28.46
<b>D180</b>	21.72	25.76	28.46
<b>T90</b>	27.54	33.61	37.65
<b>Q90</b>	33.37	41.45	46.84

### TENON/FIXTURE ORDERING EXAMPLES

FIXTURE	CONFIG.	ARM LENGTH			CAT # EXAMPLE	EPA						
		8"	11"	13"		OBTH	OBTV	OEP	OER	OEZ	OFR	OSVS
OBTH18	S	•			TNRA-S-08	1.31	1.46	1.56	1.32	1.34	1.16	1.48
OBTV18	D90		•		TNRA-D90-11	2.54	2.84	3.97	3.73	3.39	2.22	3.89
OEP1717	D180	•			TNRA-D180-08	2.62	2.92	2.88	2.64	2.69	2.31	2.80
OEZ1722	T90		•		TNRA-T90-11	3.49	3.94	4.19	3.95	3.74	3.01	4.11
OFR18	Q90		•		TNRA-Q90-11	3.49	3.94	4.19	3.95	3.74	3.01	4.11
OSVS1717												
OBTH24	S		•		TNRA-S-11	2.11	2.37	2.11	1.66	2.10	1.88	2.44
OBTV24	D90			•	TNRA-D90-13	4.00	4.52	5.15	4.70	5.32	3.53	6.39
OEP2121	D180		•		TNRA-D180-11	4.22	4.73	3.77	3.32	4.20	3.75	4.60
OER2121	T90			•	TNRA-T90-13	5.59	6.36	5.44	4.99	5.87	4.87	6.77
OEZ2127	Q90			•	TNRA-Q90-13	5.59	6.36	5.44	4.99	5.87	4.87	6.77
OFR24												
OSVS2121												
OBTH27	S		•		TNRA-S-11	2.63	2.99	3.45	2.78	2.84	2.35	3.18
OBTV27	D90			•	TNRA-D90-13	5.01	5.74	8.52	7.85	7.47	4.46	8.25
OEP2424	D180		•		TNRA-D180-11	5.25	5.98	6.23	5.56	5.68	4.71	5.95
OER2424	T90			•	TNRA-T90-13	7.05	8.14	9.00	8.33	7.90	6.21	8.73
OEZ2431	Q90			•	TNRA-Q90-13	7.05	8.14	9.00	8.33	7.90	6.21	8.73
OFR27												
OSVS2424												

