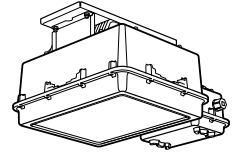


# HAZARDOUS LOCATION INDUCTION

# ICEH22



**SUBMITTAL:**

**JOB:**

**TYPE:**

**VOLTAGE:**

EXAMPLE: **ICEH22 - 150S - 41K - FLD/CG1 - OPTIONS - GRAY - UNV**

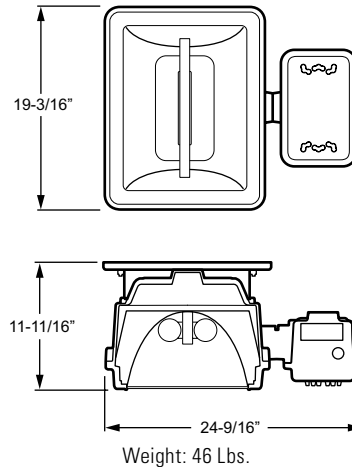
SERIES      LAMP      COLOR TEMPERATURE      DISTRIBUTION/LENS      OPTIONS/ACCESSORIES      FINISH OPTIONS      VOLTAGE

## SERIES



### VIBRATION RESISTANT, SURFACE MOUNT – SYLVANIA ICETRON™

- ▶ **Certified for use in hazardous locations:**
  - Class I, Div. 2
  - Class II, Div. 2
  - Class III
- ▶ 100,000-hour lamp life significantly reduces maintenance where re-lamping is inconvenient or expensive.
- ▶ Induction lamps provide excellent lumen maintenance—70% at 60,000 hours.
- ▶ Meets the American National Standard for Roadway Lighting Equipment—Luminaire Vibration (ANSI C136.31-2001).
- ▶ 80 color rendering index (CRI).
- ▶ 55°C/131°F maximum operating ambient temperature.<sup>1</sup>
- ▶ 100W and 150W systems operate in ambient temperatures as low as -40°C/-40°F (-25°C/-13°F with 70W system).<sup>1</sup>
- ▶ IDA-Approved™ Dark-Sky Friendly.
- ▶ All-aluminum components dissipate heat for cooler operation.
- ▶ Low EMI—complies with FCC non-consumer limits.
- ▶ This fixture is proudly made in the USA.



**Note: Component failure due to contaminant intrusion through the primary entry is not covered under warranty. Please see footnote on back for more details.**

<sup>1</sup> Data is lamp specific. Ambient temperature ratings vary with lamp and voltage—consult factory. Extremely low temperatures may result in reduced light output.

### LAMP (Must specify)

SYSTEM	WATTAGE	LUMENS
70	70-watt	6500
100	100-watt	8000
150S <sup>2</sup>	150-watt	11000

<sup>2</sup> 150S system consists of an ICETRON 100/2P/ECO lamp and a QT 1x150 ICE/UNV-W ballast.

### LAMP COLOR TEMPERATURE (Must specify)

35K	3500K
41K	4100K
50K	5000K

### DISTRIBUTION (Must specify with Lens)

BAT/	Batwing	FLD/	Flood 6 x 6
------	---------	------	-------------

### LENS (Must specify with Distribution)

CG1	Clear tempered glass, 3/16" thick
-----	-----------------------------------

### ICEH22 SERIES HOUSING

— Fully-enclosed, .125" thick, 100% recycled, die-cast aluminum with premium silicone gasketing standard.  
**REFLECTOR** — 95% reflective highly specular aluminum reflector.  
**PATENT** — Covered by U.S Patent No.6,565,238.

### ELECTRICAL

Electronic 120-277V ballast standard.  
 Prewired at factory for easy field installation.

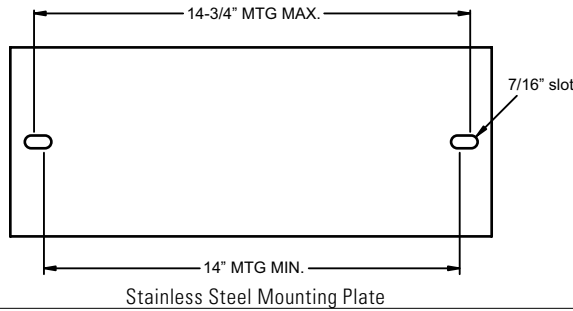
### SHIELDING

Clear tempered glass lens (CG1).

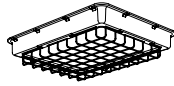
## MOUNTING

Surface mount via heavy-gauge stainless steel mounting plate, support brackets, and hardware.

## MOUNTING DETAILS



## OPTIONS



**WG** Wireguard<sup>3</sup>

<sup>3</sup> WG option is shown attached to fixture face.

## FINISH

Super durable polyester powder coat bonded to phosphate-free, multi-stage pretreated metal, meets and exceeds AAMA 2604 specifications for outdoor durability. All parts painted after fabrication to inhibit corrosion.

## FINISH OPTIONS (Must specify)

<b>BLK</b>	Black (RAL# 9004)
<b>DBR</b>	Dark Bronze (Protech# PC21462)
<b>GRAY</b>	Standard Gray (Protech# PC18367)
<b>GRN</b>	Green (RAL# 6005)
<b>SLV</b>	Satin Aluminum (RAL# 9006)
<b>WHT</b>	White (RAL# 9003)
<b>RAL#_____</b>	Specify custom color

## VOLTAGE (Must specify)

<b>UNV</b>	120-277V
------------	----------

## LABELS & CERTIFICATIONS

UL/CUL listed as hazardous locations:

- Class I, Div. 2
- Class II, Div. 2
- Class III

UL/CUL listed as suitable for wet location.

### NEMA 4X.

IP66 certified.<sup>4</sup>

Meets the American National Standard for Roadway Lighting Equipment – Luminaire Vibration (ANSI C136.31-2001).

<sup>4</sup> Door and ballast housing must be torqued to manufacturer's specifications. IP66 rated fixtures provide total dust protection and protection from high-pressure water jets from all directions. The primary electrical conduit system is a potential point of entry for contaminants into any fixture. Component failure due to contaminant intrusion through the primary entry is not covered under warranty. It is the installer's responsibility to ensure contaminants do not intrude into the fixture during any phase of the installation process. It is recommended that a seal-off fitting and compound, similar to Appleton EY fittings with Kwiko sealing compound, be employed at this point of penetration to insure system integrity.

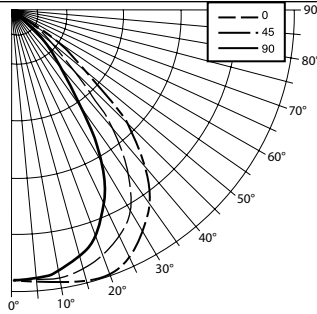


## PHOTOMETRY INFORMATION

Catalog #: ICEHZ2-150S-FLD/CG1

### CANDLEPOWER DISTRIBUTION

Vertical Angle	Horizontal Angle			Zonal Lumens
	0°	45°	90°	
0°	5122.	5122.	5122.	
5°	5161.	5134.	5113.	489.9
15°	5337.	5118.	4843.	1444.2
25°	5211.	4781.	4130.	2194.6
35°	4510.	3831.	2374.	2272.0
45°	3056.	1851.	1017.	1519.2
55°	1153.	685.	293.	680.9
65°	139.	85.	27.	91.8
75°	15.	13.	6.	10.7
85°	0.	1.	1.	1.0
90°	0.	0.	0.	



## TEST REPORT INFORMATION

- ▶ Test Report#: 12447.1
- ▶ Date: 10/29/09
- ▶ Lamp Type: ICETRON 100/QT150
- ▶ Lamp Quantity: 1
- ▶ Rated Lumens: 11000.

## DESCRIPTION

- ▶ 1/100W Ictron Induction Lamp
- ▶ 20" x 15" Luminaire
- ▶ Highly Specular Flood Optics with Clear Flat Glass Lens
- ▶ Sylvania Ballast #QT 1x150ICE/UNV-T

### LUMEN SUMMARY

Zone	Lumens	% Lamp	% Fixture
0 - 30	4129.	37.5	47.4
0 - 40	6401.	58.2	73.5
0 - 60	8601.	78.2	98.8
0 - 90	8704.	79.1	100.0
<b>Total Luminaire:</b>			
0 - 180	8704.	79.1	100.0
IES Spacing Criteria: End = 1.4 Diagonal = 1.3 Across = 1.1			

### ZONAL CAVITY COEFFICIENTS

	Ceiling	.80			.70			.50		
	Wall	.70	.50	.30	.70	.50	.30	.50	.30	.10
Room Cavity Ratio	0	.94	.94	.94	.92	.92	.92	.88	.88	.88
	1	.89	.87	.85	.87	.85	.83	.82	.80	.79
	2	.84	.80	.76	.82	.79	.75	.76	.73	.71
	3	.79	.73	.69	.78	.72	.68	.70	.67	.64
	4	.74	.67	.62	.73	.66	.62	.65	.61	.58
	5	.69	.62	.56	.68	.61	.56	.59	.55	.52
	6	.65	.57	.51	.64	.56	.51	.55	.50	.47
	7	.61	.52	.47	.59	.52	.46	.50	.46	.42
	8	.56	.47	.42	.55	.47	.42	.46	.41	.38
	9	.52	.43	.38	.51	.43	.37	.42	.37	.34
10	.49	.39	.34	.48	.39	.34	.38	.33	.30	

Effective Floor Cavity Reflectance = .20

### LIGHT CONE QUICK CALCULATOR TABLES

Mounting Height (Ft)	FC at Edge of Cone	FC at Nadir	Cone Dia. (Feet)		
			End	Across	Diag.
8	14.3	28.6	11.2	14.4	15.2
10	9.2	18.3	14.0	18.0	19.0
12	6.4	12.7	16.8	21.6	22.8
14	4.7	9.4	19.6	25.2	26.6
16	3.6	7.2	22.4	28.8	30.4
18	2.8	5.7	25.2	32.4	34.2
20	2.3	4.6	28.0	36.0	38.0

### LUMINANCE DATA (cd/sq.m)

Vertical Angle	Horizontal Angle		
	0°	45°	90°
45°	38906.	23565.	12948.
55°	18096.	10751.	4599.
65°	2961.	1811.	575.
75°	522.	452.	209.
85°	0.	103.	103.
MAXIMUM BRIGHTNESS NOT MEASURED			

### QUANTITY ESTIMATOR

Room Size	±50 fc.	±75 fc.	±100 fc.
30' x 30' (900 sq. ft.)	4	6	7
40' x 40' (1,600 sq. ft.)	7	11	15
50' x 50' (2,500 sq. ft.)	12	18	24

Calculations based on standard reflectance of 80/50/20 and a light loss factor of 1.0 with a 15'-0" ceiling height.

