

24" ROUND HOOD LUMINAIRE WITH WINDOW

OCR24W



SUBMITTAL:

JOB:

TYPE:

VOLTAGE:

EXAMPLE:

OCR24W - 150PSMH120 - OBL - DBR - OPTIONS

SERIES

ELECTRICAL PACKAGE

OPTICAL PACKAGE

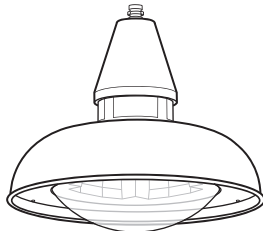
FINISH OPTIONS

OPTIONS

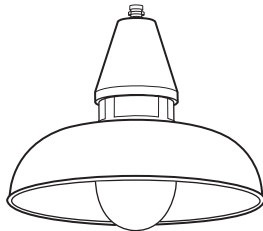
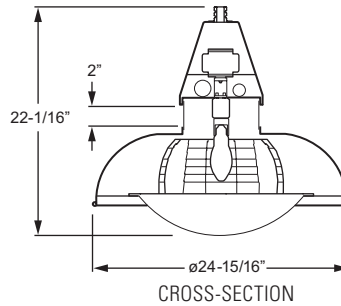
SERIES

OCR24W — A cone-shaped ballast housing, round hood and upper window are combined to create the OCR24W. The opal acrylic upper window provides subtle uplight. Various lamping options and optical packages are available, making this an attractive and versatile outdoor luminaire.

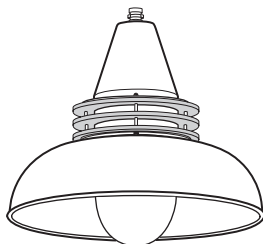
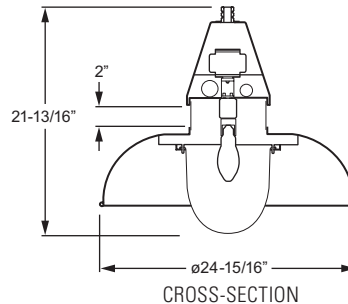
This fixture is proudly made in the USA.



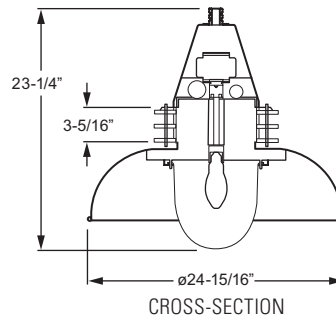
Shown with Clear Drop Polycarbonate Lens
Total fixture EPA: 1.51/Weight: 31 Lbs.



Shown with Opal Bullet Lens
Total fixture EPA: 1.41/Weight: 26 Lbs.



Shown with Opal Bullet Lens and
Polished Aluminum Rings
Total fixture EPA: 1.54/Weight: 32 Lbs.



OCR24W SERIES

HOUSING — One-piece cast aluminum ballast housing, .188" minimum wall thickness, with exclusive self-leveling twist-lock fitter.

UPPER DIFFUSER — Opal acrylic window, .188" thick, with silicone seal.

HOOD — Spun aluminum reflector hood, minimum .080" wall thickness.

Underside finish is highly reflective white polyester powder coat.

ELECTRICAL PACKAGE

PSMH — Rated -20°F minimum starting temperature.

HPS — Rated -40°F minimum starting temperature.

All PSMH and HPS electrical packages include porcelain socket. Core and coil ballast mounted on ballast tray. Prewired at factory to a disconnect plug for easy field installation. OBR optical package includes removable ballast tray. HX-HPF or CWA ballast type standard. Lamp is optional, please specify when ordering.

ELECTRICAL PACKAGE (Must specify)

PULSE START METAL HALIDE

| | | |
|--------------------|------------|------------|
| Lamp: | ED-17/E17 | ED-17/E17 |
| Socket: | E26 Medium | E26 Medium |
| ANSI Ballast Code: | M90/M140 | M102/M142 |
| | 100PSMH120 | 150PSMH120 |
| | 100PSMH208 | 150PSMH208 |
| | 100PSMH240 | 150PSMH240 |
| | 100PSMH277 | 150PSMH277 |
| | 100PSMH347 | 150PSMH347 |
| | 100PSMH480 | 150PSMH480 |

HIGH PRESSURE SODIUM

| | |
|------------|------------|
| E17 | E17 |
| E26 Medium | E26 Medium |
| S54 | S55 |
| 100HPS120 | 150HPS120 |
| 100HPS208 | 150HPS208 |
| 100HPS240 | 150HPS240 |
| 100HPS277 | 150HPS277 |
| 100HPS347 | 150HPS347 |
| 100HPS480 | 150HPS480 |



OPTICAL PACKAGE

CLEAR DROP POLYCARBONATE LENS

Molded clear U.V. stabilized polycarbonate drop lens, sealed with a closed-cell neoprene gasket. Segmented, highly specular reflector in a high-reflectance white frame.

OPAL BULLET LENS — One-piece bullet-shaped U.V. stabilized opal acrylic diffuser.

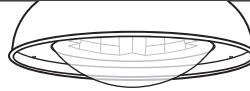
OPAL BULLET LENS AND POLISHED ALUMINUM RINGS —

One-piece bullet-shaped U.V. stabilized opal acrylic lens. Three evenly-spaced, .375" thick polished aluminum rings.

OPTICAL PACKAGE (Must specify)

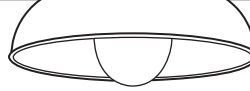
CLEAR DROP POLYCARBONATE LENS

DPL Clear drop polycarbonate lens



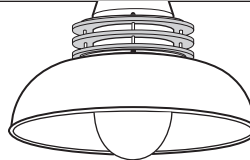
OPAL BULLET LENS

OBL Opal bullet lens



OPAL BULLET LENS AND POLISHED ALUMINUM RINGS

OBR/PA Opal bullet lens and polished aluminum rings



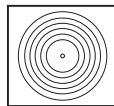
FINISH OPTIONS (Must specify)

- BLK** Black (RAL #9004)
- DBR** Dark bronze (Protech #PC21462)
- GRAY** Standard gray (Protech #PC18367)
- GRN** Green (RAL #6005)
- SLV** Satin aluminum (RAL #9006)
- WHT** White (RAL #9003)
- RAL#** _____ Specify custom color

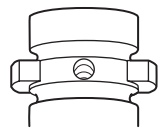
OPTIONS

- SF** Single fuse (120V, 277V, or 347V only; must specify voltage)
- DF** Double fuse (208V, 240V, or 480V only; must specify voltage)

DISTRIBUTION



Type V



STANDARD TWIST-LOCK FITTER (Fits TL2 hub)

LABELS

cCSAus certified as luminaire suitable for wet locations.

