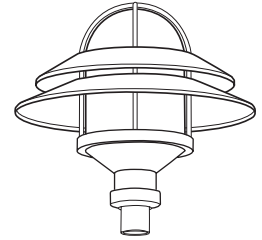


CAGED POST TOP LUMINAIRE WITH CONCENTRIC HOODS

OPF



SUBMITTAL:

JOB:

TYPE:

VOLTAGE:

EXAMPLE:

OPF - 150PSMH120 - T5 - DBR - OPTIONS

SERIES

ELECTRICAL PACKAGE

PHOTO. DIST.

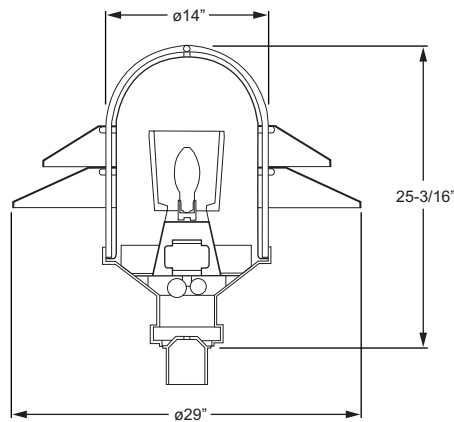
FINISH OPTIONS

OPTIONS



SERIES

OPF — A contemporary post top fixture designed to provide both up and down light, the OPF adds interest to shopping areas, streetscapes, walkways, and parks. The caged lens guard's twist-lock feature provides tool-less lamp access for easy on-site maintenance.



Total fixture EPA: 2.05/Weight: 40 Lbs.

OPF SERIES

HOUSING — One-piece cast aluminum ballast housing, .188" minimum wall thickness.

REFRACTOR/DIFFUSER — Clear prismatic borosilicate glass refractor enclosed in a one-piece, frosted, U.V. stabilized acrylic diffuser, secured inside the guard and sealed with a gasket.

LENS GUARD — One-piece solid aluminum cage with twist-lock feature is secured with two thumb screws to provide tool-less lamp access.

HOOD — Two spun aluminum reflector hoods, minimum .080" wall thickness. Underside finish is highly reflective non-glare white polyester powder coat.

ELECTRICAL PACKAGE (Must specify)

PULSE START METAL HALIDE

Lamp:	ED-17/E17	ED-17/E17	ED-17/E17
Socket:	E26 Medium	E26 Medium	E26 Medium
ANSI Ballast Code:	M98/M143	M90/M140	M102/M142
	70PSMH120	100PSMH120	150PSMH120
	70PSMH208	100PSMH208	150PSMH208
	70PSMH240	100PSMH240	150PSMH240
	70PSMH277	100PSMH277	150PSMH277
	70PSMH347	100PSMH347	150PSMH347
		100PSMH480	150PSMH480

HIGH PRESSURE SODIUM

Lamp:	E17	E17	E17
Socket:	E26 Medium	E26 Medium	E26 Medium
ANSI Ballast Code:	S62	S54	S55
	70HPS120	100HPS120	150HPS120
	70HPS208	100HPS208	150HPS208
	70HPS240	100HPS240	150HPS240
	70HPS277	100HPS277	150HPS277
	70HPS347	100HPS347	150HPS347
		100HPS480	150HPS480

ELECTRICAL PACKAGE

PSMH — Rated -20°F minimum starting temperature.

HPS — Rated -40°F minimum starting temperature.

All PSMH and HPS electrical packages include porcelain socket and integral ballast mounted on removable ballast tray. Prewired at factory to a disconnect plug for easy field installation. HX-HPF or CWA ballast type standard. Lamp is optional, please specify when ordering.



DISTRIBUTION

Clear prismatic borosilicate glass refractor provides Type V distribution.

PHOTOMETRIC DISTRIBUTION (Must specify)



Type V

FINISH OPTIONS

Super durable polyester powder coat meets and exceeds AAMA 2604 specifications for outdoor durability.

FINISH OPTIONS (Must specify)

BLK	Black (RAL# 9004)	DBR	Dark bronze (Protech #PC21462)
GRAY	Standard gray (Protech #PC18367)	GRN	Green (RAL# 6005)
SLV	Satin aluminum (RAL# 9006)	WHT	White (RAL# 9003)
RAL# ____	Specify custom color		

MOUNTING

Post top mounting on 2-7/8" O.D. tenon. Secured with stainless steel set screws. See Williams' Poles or Pole Top Assemblies for details.

OPTIONS

SF	Single fuse (120V, 277V, or 347V only; must specify voltage)
DF	Double fuse (208V, 240V, or 480V only; must specify voltage)

LABELS

cCSAus certified as luminaire suitable for wet location.