

# 6" SQUARE ALUMINUM BOLLARD

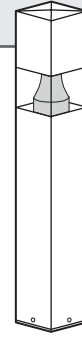
# OSA6S

**SUBMITTAL:**

**JOB:**

**TYPE:**

**VOLTAGE:**



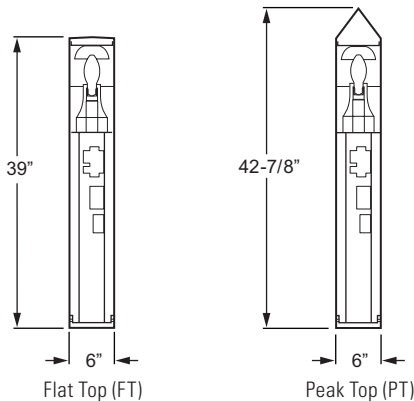
**HID**

**EXAMPLE:** OSA6S - 100PSMH120 - AC - FT - DBR - AB - OPTIONS

SERIES                      ELECTRICAL PACKAGE                      SHIELD                      HOUSING TOP                      FINISH OPTIONS                      ANCHOR BOLTS                      OPTIONS

## SERIES

This fixture is proudly made in the USA.



## OSA6S SERIES

The OSA6S Series square aluminum bollard features a highly reflective cone reflector for effective light distribution and a pleasing appearance night or day. **HOUSING** — Fabricated aluminum housing, .125" wall thickness.

## ELECTRICAL PACKAGE

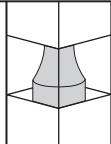
Porcelain socket. Prewired at factory for easy field installation. HX-HPF or CWA ballast type standard. Rated -20°F minimum starting temperature. Ballast mounted on removable tray for ease of maintenance.

## ELECTRICAL PACKAGE (Must specify)

### PULSE START METAL HALIDE

Lamp:	ED-17/E17	ED-17/E17	ED-17/E17
Socket:	Medium	Medium	Medium
ANSI Ballast Code:	M148/M110	M143/M98	M90/M140
	50PSMH120	70PSMH120	100PSMH120
	50PSMH208	70PSMH208	100PSMH208
	50PSMH240	70PSMH240	100PSMH240
	50PSMH277	70PSMH277	100PSMH277
		70PSMH347	100PSMH347
			100PSMH480

## SHIELD (Must specify)



**AC** Acrylic Lens with Cone Reflector

## SHIELD

U.V. stabilized clear acrylic cylinder machined to fit inside the luminaire housing, sealed with silicone. **REFLECTOR** — Spun aluminum cone reflector with a specular Alzak finish.

## HOUSING TOP (Must specify)

**FT** Flat Top  
**PT** Peak Top

## HOUSING TOP

Fabricated aluminum, .125" minimum wall thickness.

## HID

### FINISH OPTIONS

Super durable polyester powder coat meets and exceeds AAMA 2604 specifications for outdoor durability.

### FINISH OPTIONS (Must specify)

<b>BLK</b>	Black (RAL# 9004)	<b>DBR</b>	Dark Bronze (Protech #PC21462)
<b>GRAY</b>	Standard Gray (Protech #PC18367)	<b>GRN</b>	Green (RAL# 6005)
<b>SLV</b>	Satin Aluminum (RAL# 9006)	<b>WHT</b>	White (RAL# 9003)
<b>RAL#</b>	Specify Custom Color		

### ANCHOR BOLTS (Must specify)

<b>AB<sup>1</sup></b>	Anchor Bolts (3 each, shipped with fixture) <sup>1</sup>	<b>LAB</b>	Less Anchor Bolts
<b>PAB<sup>1</sup></b>	Pre-Shipped Anchor Bolts (3 each) <sup>1</sup>		

<sup>1</sup> Three 3/8" x 12" cast-in galvanized steel anchor J-bolts. Mounting template included.

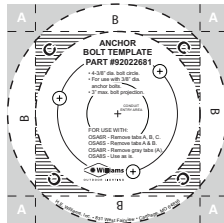
### OPTIONS

<b>SF</b>	Single Fuse (120V, 277V, or 347V only; must specify voltage)	<b>DF</b>	Double Fuse (208V, 240V, or 480V only; must specify voltage)
-----------	--	-----------	--

### MOUNTING

3-Point cast aluminum base. For accurate installation a full-scale mounting template is provided with every bollard and anchor bolt order.

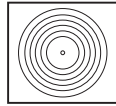
### TEMPLATE



Mounting template  
(Provided with each order)

A pdf file (not to-scale) of the mounting template is available online at [www.hewilliams.com](http://www.hewilliams.com).

### DISTRIBUTION



T5 Type V

### LABELS

cCSAus Certified as luminaire suitable for wet location.

