

# 18" DOME LUMINAIRE WITH LENS

# OGMD18

**SUBMITTAL:**

**JOB:**

**TYPE:**

**VOLTAGE:**

**EXAMPLE:** **OGMD18** - **150PSMH120** - **T5** - **DBR** - **OPTIONS**

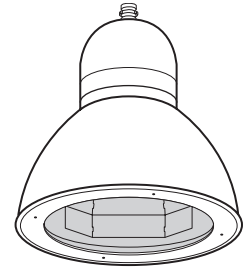
SERIES

ELECTRICAL PACKAGE

PHOTO. DIST.

FINISH OPTIONS

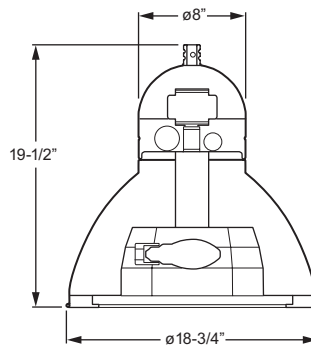
OPTIONS/ ACCESSORIES



This fixture is proudly made in the USA.

## SERIES

**OGMD18** — The dark sky-friendly OGMD18 is designed with a fully-rotatable segmented reflector and our exclusive self-leveling twist-lock fitter for easy on-site maintenance. The lensed door features stainless steel hardware and a high-impact, heat-resistant lens.



Total fixture EPA: 1.08/Weight: 30 Lbs.

## OGMD18 SERIES

**HOUSING** — One-piece cast aluminum ballast housing, .188" minimum wall thickness, with exclusive self-leveling twist-lock fitter.

**HOOD** — Spun aluminum reflector hood, .080" minimum wall thickness.

**DOOR** — Cast aluminum hinged door fastened to the door frame using stainless steel hardware.

**LENS** — Clear, .188" thick high-impact, heat-resistant tempered glass, secured with two retaining clips, sealed with silicone.

## ELECTRICAL PACKAGE (Must specify)

### PULSE START METAL HALIDE

|                    |            |            |            |
|--------------------|------------|------------|------------|
| Lamp:              | ED-17/E17  | ED-17/E17  | ED-17/E17  |
| Socket:            | E26 Medium | E26 Medium | E26 Medium |
| ANSI Ballast Code: | M98/M143   | M90/M140   | M102/M142  |
|                    | 70PSMH120  | 100PSMH120 | 150PSMH120 |
|                    | 70PSMH208  | 100PSMH208 | 150PSMH208 |
|                    | 70PSMH240  | 100PSMH240 | 150PSMH240 |
|                    | 70PSMH277  | 100PSMH277 | 150PSMH277 |
|                    | 70PSMH347  | 100PSMH347 | 150PSMH347 |
|                    |            | 100PSMH480 | 150PSMH480 |

### HIGH PRESSURE SODIUM

|                    |            |            |            |
|--------------------|------------|------------|------------|
| Lamp:              | E17        | E17        | E17        |
| Socket:            | E26 Medium | E26 Medium | E26 Medium |
| ANSI Ballast Code: | S62        | S54        | S55        |
|                    | 70HPS120   | 100HPS120  | 150HPS120  |
|                    | 70HPS208   | 100HPS208  | 150HPS208  |
|                    | 70HPS240   | 100HPS240  | 150HPS240  |
|                    | 70HPS277   | 100HPS277  | 150HPS277  |
|                    | 70HPS347   | 100HPS347  | 150HPS347  |
|                    |            | 100HPS480  | 150HPS480  |

## ELECTRICAL PACKAGE

**PSMH** — Rated -20°F minimum starting temperature.

**HPS** — Rated -40°F minimum starting temperature.

All PSMH and HPS electrical packages include porcelain socket. Core and coil ballast mounted on removable ballast tray. Prewired at factory to a disconnect plug for easy field installation. HX-HPF or CWA ballast type standard. Lamp is optional, please specify when ordering.



## REFLECTOR

Segmented MIRO® 4 reflector in a high-reflectance white frame can be fully rotated allowing distribution orientation to be adjusted on-site.

## DISTRIBUTION (Must specify)



**T2**  
Type II



**T3**  
Type III



**T5**  
Type V

## FINISH OPTIONS

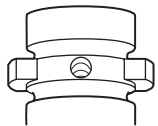
Super durable polyester powder coat meets and exceeds AAMA 2604 specifications for outdoor durability.

## FINISH OPTIONS (Must specify)

|                   |                                  |            |                                |
|-------------------|----------------------------------|------------|--------------------------------|
| <b>BLK</b>        | Black (RAL #9004)                | <b>DBR</b> | Dark bronze (Protech #PC21462) |
| <b>GRAY</b>       | Standard gray (Protech #PC18367) | <b>GRN</b> | Green (RAL #6005)              |
| <b>SLV</b>        | Satin aluminum (RAL #9006)       | <b>WHT</b> | White (RAL #9003)              |
| <b>RAL#</b> _____ | Specify custom color             |            |                                |

## MOUNTING

Williams' exclusive self-leveling twist-lock fitter must be mounted to Williams' standard (TL2) twist-lock hub (see Williams' Decorative Pole Top Assemblies).

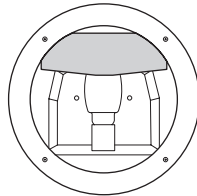


STANDARD  
TWIST-LOCK FITTER  
(Fits TL2 hub)

## OPTIONS

|           |  |           |  |
|-----------|--|-----------|--|
| <b>SF</b> | Single fuse (120V, 277V, or 347V only; must specify voltage) | <b>DF</b> | Double fuse (208V, 240V, or 480V only; must specify voltage) |
|-----------|--|-----------|--|

## ACCESSORIES



**DHS** Reflector-mounted house shield

## LABELS

cCSAus certified as luminaire suitable for wet locations.