

# 18" OPEN-RATED DOME LUMINAIRE

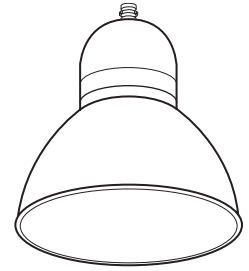
# OGM018

**SUBMITTAL:**

**JOB:**

**TYPE:**

**VOLTAGE:**



EXAMPLE: **OGM018 - 150PSMH120 - DBR - OPTIONS**

SERIES

ELECTRICAL PACKAGE

FINISH  
OPTIONS

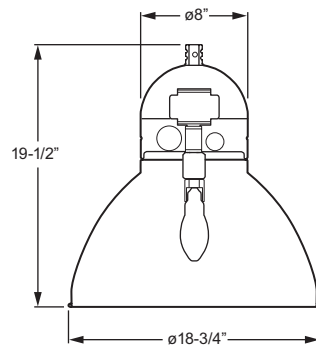
OPTIONS



This fixture is proudly made in the USA.

## SERIES

**OGM018** — The OGM018 is a dark sky-friendly, open-rated luminaire designed for retail centers, common areas, and intimate streetscapes. Available up to 150 watts PSMH or HPS, Type V distribution.



Total fixture EPA: 1.23/Weight: 22 Lbs.

## OGM018 SERIES

**HOUSING** — One-piece cast aluminum ballast housing, .188" minimum wall thickness, with exclusive self-leveling twist-lock fitter.

**REFLECTOR** — Spun aluminum reflector hood, .080" minimum wall thickness. Underside of hood is finished with a highly reflective, non-glare white polyester powder coating.

## ELECTRICAL PACKAGE

**PSMH** — Open-rated porcelain socket (requires open-rated lamp). Rated -20°F minimum starting temperature.

**HPS** — Rated -40°F minimum starting temperature.

All PSMH and HPS electrical packages include core and coil ballast mounted on removable ballast tray. Prewired at factory to a disconnect plug for easy field installation. HX-HPF or CWA ballast type standard. Lamp is optional, please specify when ordering.

## ELECTRICAL PACKAGE (Must specify)

### PULSE START METAL HALIDE (Requires open-rated lamp.)

|                    |             |             |             |
|--------------------|-------------|-------------|-------------|
| Lamp:              | ED-17/E17   | ED-17/E17   | ED-17/E17   |
| Socket:            | EX26 Medium | EX26 Medium | EX26 Medium |
| ANSI Ballast Code: | M98/M143    | M90/M140    | M102/M142   |
|                    | 70PSMH120   | 100PSMH120  | 150PSMH120  |
|                    | 70PSMH208   | 100PSMH208  | 150PSMH208  |
|                    | 70PSMH240   | 100PSMH240  | 150PSMH240  |
|                    | 70PSMH277   | 100PSMH277  | 150PSMH277  |
|                    | 70PSMH347   | 100PSMH347  | 150PSMH347  |
|                    |             | 100PSMH480  | 150PSMH480  |

### HIGH PRESSURE SODIUM

|                    |            |            |            |
|--------------------|------------|------------|------------|
| Lamp:              | E17        | E17        | E17        |
| Socket:            | E26 Medium | E26 Medium | E26 Medium |
| ANSI Ballast Code: | S62        | S54        | S55        |
|                    | 70HPS120   | 100HPS120  | 150HPS120  |
|                    | 70HPS208   | 100HPS208  | 150HPS208  |
|                    | 70HPS240   | 100HPS240  | 150HPS240  |
|                    | 70HPS277   | 100HPS277  | 150HPS277  |
|                    | 70HPS347   | 100HPS347  | 150HPS347  |
|                    |            | 100HPS480  | 150HPS480  |

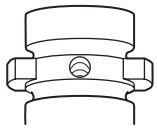


## FINISH OPTIONS

Super durable polyester powder coat meets and exceeds AAMA 2604 specifications for outdoor durability.

## MOUNTING

Williams' exclusive self-leveling twist-lock fitter must be mounted to Williams' standard (TL2) twist-lock hub (see Williams' Decorative Pole Top Assemblies).



STANDARD TWIST-LOCK FITTER (Fits TL2 hub)

## LABELS

cCSAus certified as luminaire suitable for wet locations.

## FINISH OPTIONS (Must specify)

|                  |                                  |            |                                |
|------------------|----------------------------------|------------|--------------------------------|
| <b>BLK</b>       | Black (RAL #9004)                | <b>DBR</b> | Dark bronze (Protech #PC21462) |
| <b>GRAY</b>      | Standard gray (Protech #PC18367) | <b>GRN</b> | Green (RAL #6005)              |
| <b>SLV</b>       | Satin aluminum (RAL #9006)       | <b>WHT</b> | White (RAL #9003)              |
| <b>RAL#</b> ____ | Specify custom color             |            |                                |

## OPTIONS

|           |  |
|-----------|--|
| <b>SF</b> | Single fuse (120V, 277V, or 347V only; must specify voltage) |
| <b>DF</b> | Double fuse (208V, 240V, or 480V only; must specify voltage) |

## DISTRIBUTION



Type V