

# 24" DOME LUMINAIRE WITH LENS

# OGMD24

**SUBMITTAL:**

**JOB:**

**TYPE:**

**VOLTAGE:**

**EXAMPLE:** **OGMD24 - 150PSMH120 - T5 - DBR - OPTIONS**

SERIES

ELECTRICAL PACKAGE

PHOTO. DIST.

FINISH OPTIONS

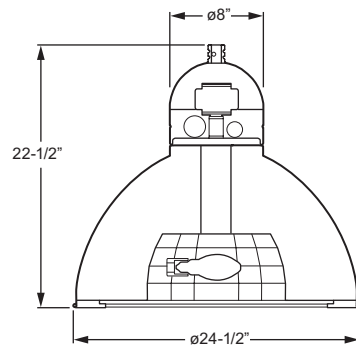
OPTIONS/ ACCESSORIES



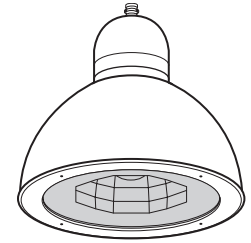
This fixture is proudly made in the USA.

## SERIES

**OGMD24** — Designed for simplicity and practicality, the OGMD24 lensed luminaire features a fully rotatable, segmented reflector for easy on-site alteration. Choose from three distribution types to enhance a variety of outdoor locations.



Total fixture EPA: 1.63/Weight: 38 Lbs.



## OGMD24 SERIES

**HOUSING** — One-piece cast aluminum ballast housing, .188" minimum wall thickness, with exclusive self-leveling twist-lock fitter.

**HOOD** — Spun aluminum reflector hood, .080" minimum wall thickness.

**DOOR** — Cast aluminum hinged door fastened to the door frame using stainless steel hardware.

**LENS** — Clear, .188" thick high-impact, heat-resistant tempered glass, secured with two retaining clips, sealed with silicone.

## ELECTRICAL PACKAGE (Must specify)

### PULSE START METAL HALIDE

Lamp:	ED-17/E17	ED-17/E17	ED-17/E17
Socket:	E26 Medium	E26 Medium	E26 Medium
ANSI Ballast Code:	M98/M143	M90/M140	M102/M142
	70PSMH120	100PSMH120	150PSMH120
	70PSMH208	100PSMH208	150PSMH208
	70PSMH240	100PSMH240	150PSMH240
	70PSMH277	100PSMH277	150PSMH277
	70PSMH347	100PSMH347	150PSMH347
		100PSMH480	150PSMH480

### HIGH PRESSURE SODIUM

Lamp:	E17	E17	E17
Socket:	E26 Medium	E26 Medium	E26 Medium
ANSI Ballast Code:	S62	S54	S55
	70HPS120	100HPS120	150HPS120
	70HPS208	100HPS208	150HPS208
	70HPS240	100HPS240	150HPS240
	70HPS277	100HPS277	150HPS277
	70HPS347	100HPS347	150HPS347
		100HPS480	150HPS480

## ELECTRICAL PACKAGE

**PSMH** — Rated -20°F minimum starting temperature.

**HPS** — Rated -40°F minimum starting temperature.

All PSMH and HPS electrical packages include porcelain socket. Core and coil ballast mounted on removable ballast tray. Prewired at factory to a disconnect plug for easy field installation. HX-HPF or CWA ballast type standard. Lamp is optional, please specify when ordering.



## REFLECTOR

Segmented MIRO® 4 reflector in a high-reflectance white frame can be fully rotated allowing distribution orientation to be adjusted on-site.

## DISTRIBUTION (Must specify)



**T2**  
Type II



**T3**  
Type III



**T5**  
Type V

## FINISH OPTIONS

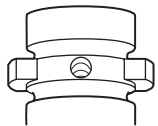
Super durable polyester powder coat meets and exceeds AAMA 2604 specifications for outdoor durability.

## FINISH OPTIONS (Must specify)

<b>BLK</b>	Black (RAL #9004)	<b>DBR</b>	Dark bronze (Protech #PC21462)
<b>GRAY</b>	Standard gray (Protech #PC18367)	<b>GRN</b>	Green (RAL #6005)
<b>SLV</b>	Satin aluminum (RAL #9006)	<b>WHT</b>	White (RAL #9003)
<b>RAL#</b> _____	Specify custom color		

## MOUNTING

Williams' exclusive self-leveling twist-lock fitter must be mounted to Williams' standard (TL2) twist-lock hub (see Williams' Decorative Pole Top Assemblies).

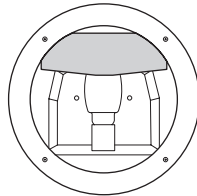


STANDARD  
TWIST-LOCK FITTER  
(Fits TL2 hub)

## OPTIONS

<b>SF</b>	Single fuse (120V, 277V, or 347V only; must specify voltage)	<b>DF</b>	Double fuse (208V, 240V, or 480V only; must specify voltage)
-----------	--	-----------	--

## ACCESSORIES



**DHS** Reflector-mounted house shield

## LABELS

cCSAus certified as luminaire suitable for wet locations.