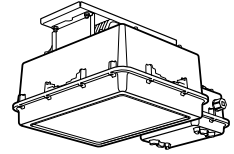


# HAZARDOUS LOCATION INDUCTION

# QLHZ2



**SUBMITTAL:**

**JOB:**

**TYPE:**

**VOLTAGE:**

EXAMPLE: **QLHZ2 - 165 - 40K - FLD/CG1 - OPTIONS - GRAY - 120**

SERIES
LAMP
COLOR TEMPERATURE
DISTRIBUTION/ LENS
OPTIONS/ ACCESSORIES
FINISH OPTIONS
VOLTAGE

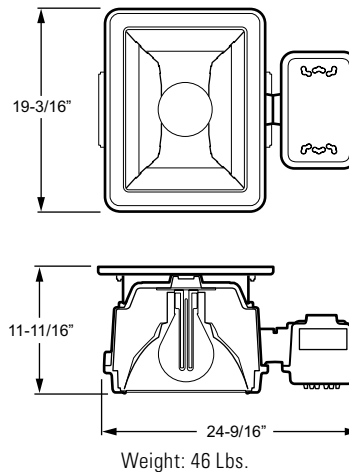
## SERIES



### VIBRATION RESISTANT, SURFACE MOUNT – PHILIPS QL

- ▶ **Certified for use in hazardous locations:**
  - Class I, Div. 2
  - Class II, Div. 2
  - Class III
- ▶ 100,000-hour lamp life significantly reduces maintenance where re-lamping is inconvenient or expensive.
- ▶ Induction lamps provide excellent lumen maintenance—70% at 60,000 hours.
- ▶ Meets the American National Standard for Roadway Lighting Equipment—Luminaire Vibration (ANSI C136.31-2001).
- ▶ 80 color rendering index (CRI).
- ▶ 40°C/104°F maximum operating ambient temperature. -25°C/-13°F minimum operating ambient temperature.
- ▶ Dark-Sky Friendly.
- ▶ All-aluminum components dissipate heat for cooler operation.
- ▶ Low EMI—complies with FCC non-consumer limits.
- ▶ This fixture is proudly made in the USA.

**Note: Component failure due to contaminant intrusion through the primary entry is not covered under warranty. Please see footnote on back for more details.**



### QLHZ2 SERIES

**HOUSING** — Fully-enclosed, .125" thick, 100% recycled, die-cast aluminum with premium silicone gasketing standard.

**REFLECTOR** — 95% reflective highly specular aluminum reflector.

**PATENT** — Covered by U.S Patent No.6,565,238.

<sup>1</sup> Data is lamp specific. Ambient temperature ratings vary with lamp and voltage—consult factory. Extremely low temperatures may result in reduced light output.

### LAMP (Must specify)

SYSTEM	WATTAGE	LUMENS
165	165-watt	12000

### LAMP COLOR TEMPERATURE (Must specify)

27K	2700K
30K	3000K
40K	4000K

### DISTRIBUTION (Must specify with Lens)

FLD/	Flood 6 x 6
------	-------------

### LENS (Must specify with Distribution)

CG1	Clear tempered glass, 3/16" thick
-----	-----------------------------------

### ELECTRICAL

3-piece QL system. Prewired at factory for easy field installation.

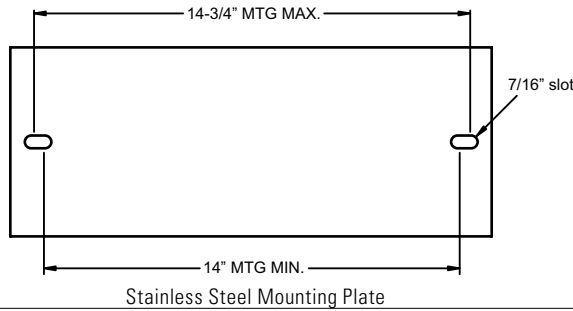
### SHIELDING

Clear tempered glass lens (CG1).

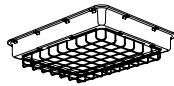
## MOUNTING

Surface mount via heavy-gauge stainless steel mounting plate, support brackets, and hardware.

## MOUNTING DETAILS



## OPTIONS



**WG** Wireguard<sup>2</sup>

<sup>2</sup> WG option is shown attached to fixture face.

## FINISH

Super durable polyester powder coat bonded to phosphate-free, multi-stage pretreated metal, meets and exceeds AAMA 2604 specifications for outdoor durability. All parts painted after fabrication to inhibit corrosion.

## FINISH OPTIONS (Must specify)

<b>BLK</b>	Black (RAL# 9004)
<b>DBR</b>	Dark Bronze (Protech# PC21462)
<b>GRAY</b>	Standard Gray (Protech# PC18367)
<b>GRN</b>	Green (RAL# 6005)
<b>SLV</b>	Satin Aluminum (RAL# 9006)
<b>WHT</b>	White (RAL# 9003)
<b>RAL#</b> _____	Specify custom color

## VOLTAGE (Must specify)

<b>120</b>	100 - 120V
<b>277</b>	200 - 277V

## LABELS & CERTIFICATIONS

UL/CUL listed as hazardous locations:

- Class I, Div. 2
- Class II, Div. 2
- Class III

UL/CUL listed as suitable for wet location.

### NEMA 4X.

IP66 certified.<sup>3</sup>

Meets the American National Standard for Roadway Lighting Equipment – Luminaire Vibration (ANSI C136.31-2001).

<sup>3</sup> Door and ballast housing must be torqued to manufacturer's specifications. IP66 rated fixtures provide total dust protection and protection from high-pressure water jets from all directions. The primary electrical conduit system is a potential point of entry for contaminants into any fixture. Component failure due to contaminant intrusion through the primary entry is not covered under warranty. It is the installer's responsibility to ensure contaminants do not intrude into the fixture during any phase of the installation process. It is recommended that a seal-off fitting and compound, similar to Appleton EY fittings with Kwiko sealing compound, be employed at this point of penetration to insure system integrity.

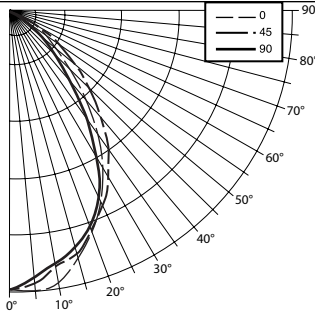


## PHOTOMETRY INFORMATION

Catalog #: QLHZ2-165-40K-FLD/CG1-120

### CANDLEPOWER DISTRIBUTION

Vertical Angle	Horizontal Angle			Zonal Lumens
	0°	45°	90°	
0°	6717.	6717.	6717.	
5°	6794.	6620.	6481.	632.4
15°	6210.	6100.	5927.	1716.4
25°	5129.	5232.	5006.	2388.8
35°	3679.	4069.	3186.	2351.7
45°	2110.	2705.	1453.	1724.4
55°	1043.	1417.	599.	1003.7
65°	501.	443.	231.	433.0
75°	127.	131.	69.	132.8
85°	37.	41.	39.	45.3
90°	0.	0.	0.	



## TEST REPORT INFORMATION

- ▶ Test Report#: 13221.2
- ▶ Date: 10/21/09
- ▶ Lamp Type: QL 165W/840
- ▶ Lamp Quantity: 1
- ▶ Rated Lumens: 12000.

## DESCRIPTION

- ▶ 1/165W QL Induction Lamp
- ▶ 20" x 15" Luminaire
- ▶ Highly Specular Flood Optics with Clear Flat Glass Lens
- ▶ Philips HF Generator #QL 165W S101

### LUMEN SUMMARY

Zone	Lumens	% Lamp	% Fixture
0 - 30	4738.	39.5	45.4
0 - 40	7089.	59.1	68.0
0 - 60	9817.	81.8	94.1
0 - 90	10428.	86.9	100.0
<b>Total Luminaire:</b>			
0 - 180	10428.	86.9	100.0
IES Spacing Criteria: End = 1.0 Diagonal = 1.1 Across = 1.0			

### ZONAL CAVITY COEFFICIENTS

	Ceiling	.80			.70			.50		
	Wall	.70	.50	.30	.70	.50	.30	.50	.30	.10
Room Cavity Ratio	0	1.03	1.03	1.03	1.01	1.01	1.01	.97	.97	.97
	1	.98	.95	.92	.95	.93	.90	.89	.87	.85
	2	.92	.86	.82	.89	.85	.81	.82	.79	.76
	3	.86	.79	.74	.84	.78	.73	.75	.71	.68
	4	.80	.72	.66	.78	.71	.66	.69	.64	.61
	5	.75	.66	.60	.73	.65	.59	.63	.58	.54
	6	.70	.60	.54	.68	.60	.54	.58	.53	.49
	7	.65	.55	.49	.64	.55	.49	.53	.48	.44
	8	.60	.50	.44	.59	.50	.44	.49	.43	.39
	9	.56	.46	.40	.55	.45	.39	.44	.39	.35
10	.52	.42	.36	.51	.42	.36	.41	.35	.32	

Effective Floor Cavity Reflectance = .20

### LIGHT CONE QUICK CALCULATOR TABLES

Mounting Height (Ft)	FC at Edge of Cone	FC at Nadir	Cone Dia. (Feet)		
			End	Across	Diag.
8	52.5	105.	8.0	8.8	8.0
10	33.6	67.2	10.0	11.0	10.0
12	23.3	46.6	12.0	13.2	12.0
14	17.1	34.3	14.0	15.4	14.0
16	13.1	26.2	16.0	17.6	16.0
18	10.4	20.7	18.0	19.8	18.0
20	8.4	16.8	20.0	22.0	20.0

### LUMINANCE DATA (cd/sq.m)

Vertical Angle	Horizontal Angle		
	0°	45°	90°
45°	26863.	34438.	18498.
55°	16370.	22240.	9401.
65°	10672.	9436.	4921.
75°	4417.	4556.	2400.
85°	3822.	4235.	4028.
MAXIMUM BRIGHTNESS NOT MEASURED			

### QUANTITY ESTIMATOR

Room Size	±50 fc.	±75 fc.	±100 fc.
30' x 30' (900 sq. ft.)	5	8	11
40' x 40' (1,600 sq. ft.)	9	13	17
50' x 50' (2,500 sq. ft.)	13	19	25

Calculations based on standard reflectance of 80/50/20 and a light loss factor of 1.0 with a 15'-0" ceiling height.

