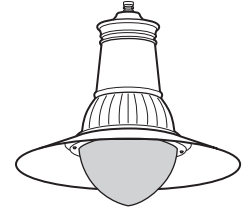


TEARDROP LUMINAIRE WITH 29" HOOD

OGP29



SUBMITTAL:

JOB:

TYPE:

VOLTAGE:

EXAMPLE:

OGP29 - 150PSMH120 - T5 - AC - DBR - OPTIONS

SERIES

ELECTRICAL PACKAGE

PHOTO. DIST.

REFRACTOR

FINISH OPTIONS

OPTIONS

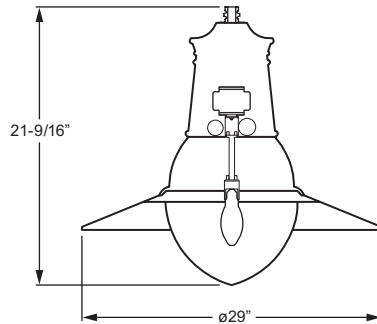


This fixture is proudly made in the USA.

SERIES

FEATURES

- ▶ Attractive housing design complements a variety of outdoor settings.
- ▶ Choice of ultraviolet stabilized acrylic, impact-resistant polycarbonate, or clear borosilicate glass refractor for use in vandal resistant or general lighting applications.
- ▶ HID lamping up to 150 watts.



Total fixture EPA: 1.34/Weight: 42 Lbs.

OGP29 SERIES

HOUSING — One-piece cast aluminum ballast housing, .188" minimum wall thickness, with exclusive self-leveling twist-lock fitter.

HOOD — Spun .080" aluminum reflector hood. Underside finish is highly reflective, non-glare white polyester powder coat.

ELECTRICAL PACKAGE (Must specify)

PULSE START METAL HALIDE

Lamp:	ED-17/E17	ED-17/E17	ED-17/E17	ED-17/E17
Socket:	E26 Medium	E26 Medium	E26 Medium	E26 Medium
ANSI Ballast Code:	M110/M148	M98/M143	M90/M140	M102/M142
	50PSMH120	70PSMH120	100PSMH120	150PSMH120
	50PSMH208	70PSMH208	100PSMH208	150PSMH208
	50PSMH240	70PSMH240	100PSMH240	150PSMH240
	50PSMH277	70PSMH277	100PSMH277	150PSMH277
		70PSMH347	100PSMH347	150PSMH347
			100PSMH480	150PSMH480

HIGH PRESSURE SODIUM

Lamp:	E17	E17	E17	E17
Socket:	E26 Medium	E26 Medium	E26 Medium	E26 Medium
ANSI Ballast Code:	S68	S62	S54	S55
	50HPS120	70HPS120	100HPS120	150HPS120
	50HPS208	70HPS208	100HPS208	150HPS208
	50HPS240	70HPS240	100HPS240	150HPS240
	50HPS277	70HPS277	100HPS277	150HPS277
		70HPS347	100HPS347	150HPS347
			100HPS480	150HPS480

ELECTRICAL PACKAGE

PSMH — Rated -20°F minimum starting temperature.

HPS — Rated -40°F minimum starting temperature.

All PSMH and HPS electrical packages include porcelain socket. Core and coil ballast mounted on removable ballast tray. Prewired at factory to a disconnect plug for easy field installation. HX-HPF or CWA ballast type standard. Lamp is optional, please specify when ordering.



REFRACTOR

Teardrop-shaped refractors are available in both Type III and Type V distributions.

ACRYLIC

Molded ultraviolet stabilized acrylic.

GLASS

Clear borosilicate glass.

POLYCARBONATE

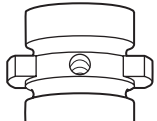
Molded impact-resistant polycarbonate.

FINISH OPTIONS

Super durable polyester powder coat meets and exceeds AAMA 2604 specifications for outdoor durability.

MOUNTING

Williams' exclusive self-leveling twist-lock fitter must be mounted to Williams' standard (TL2) twist-lock hub (see Williams' Decorative Pole Top Assemblies).



STANDARD TWIST-LOCK FITTER (Fits TL2 hub)

LABELS

cCSAus certified as luminaire suitable for wet locations.

DISTRIBUTION (Must specify)



T3
Type III



T5
Type V

REFRACTOR (Must specify)

ACR	Ultraviolet stabilized acrylic teardrop refractor
CGR	Clear borosilicate glass teardrop refractor
PCR	Impact-resistant polycarbonate teardrop refractor

FINISH OPTIONS (Must specify)

BLK	Black (RAL #9004)
DBR	Dark bronze (Protech #PC21462)
GRAY	Standard gray (Protech #PC18367)
GRN	Green (RAL #6005)
SLV	Satin aluminum (RAL #9006)
WHT	White (RAL #9003)
RAL# _____	Specify custom color

OPTIONS

SF	Single fuse (120V, 277V, or 347V only; must specify voltage)	DF	Double fuse (208V, 240V, or 480V only; must specify voltage)
-----------	--	-----------	--