

VINTAGE ACORN POST TOP

OPD

SUBMITTAL:

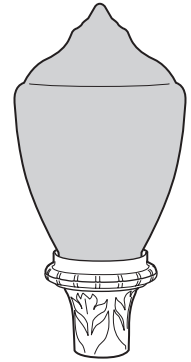
JOB:

TYPE:

VOLTAGE:

EXAMPLE: **OPD - 150PSMH120 - ACR - T5GR - 4TM - DBR - OPTIONS**

SERIES ELECTRICAL PACKAGE DIFFUSER PHOTO. DIST. MOUNTING POINT FINISH OPTIONS OPTIONS



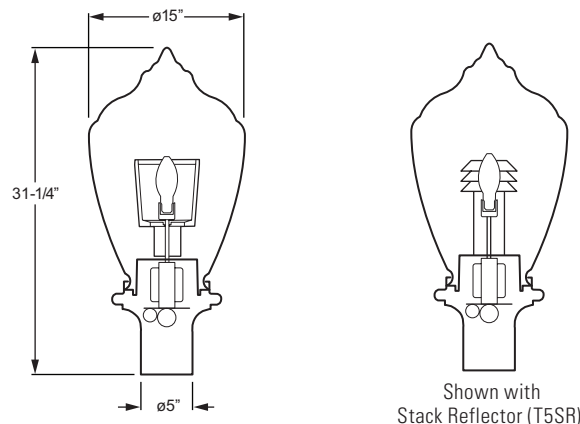
OPD SERIES HOUSING —

Cast aluminum base with clear, textured U.V. stabilized acrylic or impact-resistant polycarbonate diffuser. Gasketed for weathertight performance.

SERIES

FEATURES

- ▶ Choice of clear, textured U.V. stabilized acrylic or impact-resistant polycarbonate diffuser.
- ▶ Glass refractor or stack reflector for varied distribution options.
- ▶ Brass bullet-style finial option for a decorative touch.



Shown with Glass Refractor (T3GR or T5GR)
Total fixture EPA: 1.22/Weight: 27 Lbs.



ELECTRICAL PACKAGE (Must specify)

PULSE START METAL HALIDE

Lamp:	ED-17/E17	ED-17/E17	ED-17/E17	ED-17/E17
Socket:	E26 Medium	E26 Medium	E26 Medium	E26 Medium
ANSI Ballast Code:	M110/M148	M98/M143	M90/M140	M102/M142
	50PSMH120	70PSMH120	100PSMH120	150PSMH120
	50PSMH208	70PSMH208	100PSMH208	150PSMH208
	50PSMH240	70PSMH240	100PSMH240	150PSMH240
	50PSMH277	70PSMH277	100PSMH277	150PSMH277
		70PSMH347	100PSMH347	150PSMH347
			100PSMH480	150PSMH480

HIGH PRESSURE SODIUM

Lamp:	E17	E17	E17	E17
Socket:	E26 Medium	E26 Medium	E26 Medium	E26 Medium
ANSI Ballast Code:	S68	S62	S54	S55
	50HPS120	70HPS120	100HPS120	150HPS120
	50HPS208	70HPS208	100HPS208	150HPS208
	50HPS240	70HPS240	100HPS240	150HPS240
	50HPS277	70HPS277	100HPS277	150HPS277
		70HPS347	100HPS347	150HPS347
			100HPS480	150HPS480

ELECTRICAL PACKAGE

PSMH — Rated -20°F minimum starting temperature.
HPS — Rated -40°F minimum starting temperature.

All PSMH and HPS electrical packages include porcelain socket and integral ballast. Prewired at factory to a disconnect plug for easy field installation. HX-HPF or CWA ballast type standard. Lamp is optional, please specify when ordering.

DIFFUSER (Must specify)

ACR Acrylic diffuser **CPC** Polycarbonate diffuser

DIFFUSER

Molded U.V. stabilized acrylic or molded impact-resistant polycarbonate.

DISTRIBUTION

REFRACTOR —

Prismatic glass refractor in Type III or Type V distribution.

STACK REFLECTOR —

Spun aluminum stack reflector with a specular finish in Type V distribution.

PHOTOMETRIC DISTRIBUTION (Must specify)



T3GR Type III glass refractor



T5GR Type V glass refractor
T5SR Type V stack reflector

MOUNTING POINT

Post top mounting on 3" or 4" O.D. tenon or pole top. Secured with stainless steel set screws. See Williams' Poles or Pole Top Assemblies for details.

MOUNTING POINT (Must specify)

3TM 3" tenon mount

4TM 4" tenon mount

FINISH OPTIONS

Super durable polyester powder coat meets and exceeds AAMA 2604 specifications for outdoor durability.

FINISH OPTIONS (Must specify)

BLK Black (RAL# 9004)

DBR Dark bronze (Protech #PC21462)

GRAY Standard gray (Protech #PC18367)

GRN Green (RAL# 6005)

SLV Satin aluminum (RAL# 9006)

WHT White (RAL# 9003)

RAL# _____ Specify custom color

OPTIONS

SF Single fuse (120V, 277V, or 347V only; must specify voltage)

DF Double fuse (208V, 240V, or 480V only; must specify voltage)



FIB Solid brass bullet-style finial

LABELS

cCSAus certified as luminaire suitable for wet location.