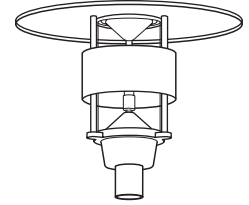


29" CONTEMPORARY POST TOP LUMINAIRE WITH FLAT HOOD

OPG29



SUBMITTAL:

JOB:

TYPE:

VOLTAGE:

EXAMPLE:

OPG29 - 150PSMH120 - 3TM - DBR - OPTIONS

SERIES

ELECTRICAL PACKAGE

MOUNTING POINT

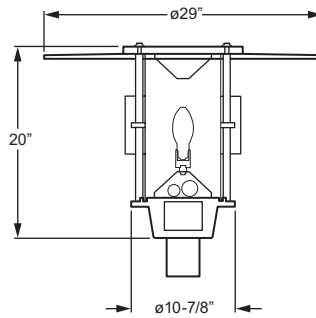
FINISH OPTIONS

OPTIONS



SERIES

OPG29 — Inspired by European design, the classic styling and contemporary feel of this decorative post top luminaire enhances shopping centers, common areas, campuses and streetscapes. A clear cylindrical enclosure and opal shield are combined with a flat hood that directs the majority of light downward—adding both form and function to your next outdoor lighting project.



Total fixture EPA: 1.34/Weight: 28 Lbs.

ELECTRICAL PACKAGE (Must specify)

PULSE START METAL HALIDE

Lamp:	ED-17/E17	ED-17/E17	ED-17/E17	ED-17/E17
Socket:	E26 Medium	E26 Medium	E26 Medium	E26 Medium
ANSI Ballast Code:	M110/M148	M98/M143	M90/M140	M102/M142
	50PSMH120	70PSMH120	100PSMH120	150PSMH120
	50PSMH208	70PSMH208	100PSMH208	150PSMH208
	50PSMH240	70PSMH240	100PSMH240	150PSMH240
	50PSMH277	70PSMH277	100PSMH277	150PSMH277
		70PSMH347	100PSMH347	150PSMH347
			100PSMH480	150PSMH480

HIGH PRESSURE SODIUM

Lamp:	E17	E17	E17	E17
Socket:	E26 Medium	E26 Medium	E26 Medium	E26 Medium
ANSI Ballast Code:	S68	S62	S54	S55
	50HPS120	70HPS120	100HPS120	150HPS120
	50HPS208	70HPS208	100HPS208	150HPS208
	50HPS240	70HPS240	100HPS240	150HPS240
	50HPS277	70HPS277	100HPS277	150HPS277
		70HPS347	100HPS347	150HPS347
			100HPS480	150HPS480

OPG29 SERIES HOUSING & ENCLOSURE —

One-piece cast aluminum ballast housing. Impact-resistant acrylic enclosure. Fully gasketed for weathertight performance.

SHIELD — 12" diameter x 5" height opal acrylic ring mounted on support rods with vertical adjustment.

REFLECTORS — Spun aluminum top and bottom reflectors, highly-reflective, non-glare white polyester powder coat. Type V distribution.

HOOD — Spun aluminum reflector hood with a removable cap for relamping, secured with three support rods. Underside finish is highly-reflective, non-glare white polyester powder coat.

ELECTRICAL PACKAGE

PSMH — Rated -20°F minimum starting temperature.

HPS — Rated -40°F minimum starting temperature.

All PSMH and HPS electrical packages include porcelain socket and integral ballast. Prewired at factory to a disconnect plug for easy field installation. HX-HPF or CWA ballast type standard. Lamp is optional, please specify when ordering.



MOUNTING POINT

Post top mounting on 2-3/8", 2-7/8", or 3" O.D. tenon or pole top. Secured with stainless steel set screws. See Williams' Poles or Pole Top Assemblies for details.

FINISH OPTIONS

Super durable polyester powder coat meets and exceeds AAMA 2604 specifications for outdoor durability.

MOUNTING POINT (Must specify)

238TM	2-3/8" tenon mount
278TM	2-7/8" tenon mount
3TM	3" tenon mount

FINISH OPTIONS (Must specify)

BLK	Black (RAL# 9004)
DBR	Dark bronze (Protech #PC21462)
GRAY	Standard gray (Protech #PC18367)
GRN	Green (RAL# 6005)
SLV	Satin aluminum (RAL# 9006)
WHT	White (RAL# 9003)
RAL# _____	Specify custom color

OPTIONS

SF	Single fuse (120V, 277V, or 347V only; must specify voltage)
DF	Double fuse (208V, 240V, or 480V only; must specify voltage)

PHOTOMETRIC DISTRIBUTION



Type V

LABELS

cCSAus certified as luminaire suitable for wet location.

