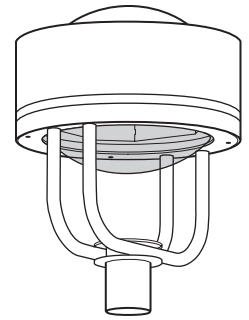


18" ROUND YOKE MOUNT AREA LIGHT WITH VERTICAL LAMP

OBSV18



SUBMITTAL:

JOB:

TYPE:

VOLTAGE:

EXAMPLE:

OBSV18 - 250PSMH120 - T3 - DBR - OPTIONS

SERIES

ELECTRICAL PACKAGE

DIST.

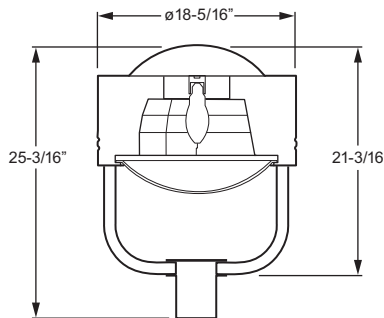
FINISH OPTIONS

OPTIONS

SERIES

- ▶ Yoke mount design for pole top mounting.
- ▶ Spring latches lock hinged fixture housing into place for easy relamping.
- ▶ Architecturally designed with a horizontal reveal.
- ▶ HID lamping up to 250 watts.
- ▶ 90° rotatable reflector allows orientation to be easily altered on-site.
- ▶ Highly specular, multi-faceted aluminum reflector.

This fixture is proudly made in the USA.



EPA: 1.35/Weight: 31 Lbs.



OBSV18 SERIES

HOUSING — One-piece spun aluminum housing, .100" wall thickness, with internal reinforcement and component bracketing.

DOOR — Cast aluminum hinged door fastened using stainless steel hardware.

LENS — Clear, .187" thick high-impact, heat-resistant tempered glass drop lens, secured with retaining clips, sealed with silicone.

ELECTRICAL PACKAGE (Must specify)

PULSE START METAL HALIDE

Lamp:	E17	E17	BT28
Socket:	E26 Medium	E26 Medium	E39 Mogul
ANSI Ballast Code:	M90	M102	M153
	100PSMH120	150PSMH120	250PSMH120
	100PSMH208	150PSMH208	250PSMH208
	100PSMH240	150PSMH240	250PSMH240
	100PSMH277	150PSMH277	250PSMH277
	100PSMH347	150PSMH347	250PSMH347
	100PSMH480	150PSMH480	250PSMH480

HIGH PRESSURE SODIUM

Lamp:	E17	ET18
Socket:	E26 Medium	E39 Mogul
ANSI Ballast Code:	S55	S50
	150HPS120	250HPS120
	150HPS208	250HPS208
	150HPS240	250HPS240
	150HPS277	250HPS277
	150HPS347	250HPS347
	150HPS480	250HPS480

ELECTRICAL PACKAGE

PSMH — Rated -20°F minimum starting temperature.

HPS — Rated -40°F minimum starting temperature.

All PSMH and HPS electrical packages include porcelain socket. Core and coil ballast. Prewired at factory to a disconnect plug for easy field installation. HX-HPF or CWA ballast type standard. Lamp is optional, please specify when ordering.



OBSV18

18" ROUND YOKE MOUNT AREA LIGHT WITH VERTICAL LAMP

REFLECTOR

Precisely formed highly specular, multi-faceted aluminum reflector secured with thumb screws. The reflector can be rotated in 90° increments allowing orientation to be altered on-site.

DISTRIBUTION (Must specify)



T2
Type II



T3
Type III



T5
Type V

FINISH OPTIONS

Super durable polyester powder coat meets and exceeds AAMA 2604 specifications for outdoor durability.

FINISH OPTIONS (Must specify)

BLK	Black (RAL #9004)
DBR	Dark bronze (Protech #PC21462)
GRAY	Standard gray (Protech #PC18367)
GRN	Green (RAL #6005)
SLV	Satin aluminum (RAL #9006)
WHT	White (RAL #9003)
RAL# _____	Specify custom color

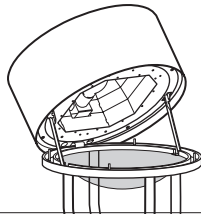
MOUNTING

Yoke mount consists of two parallel 1" O.D. aluminum tubes formed and welded to a cast aluminum door and slip fitter. Fits 3" O.D. x 3" tenon or pole top.

OPTIONS

SF	Single fuse (120V, 277V, or 347V only; must specify voltage)	DF	Double fuse (208V, 240V, or 480V only; must specify voltage)
-----------	--	-----------	--

RELAMPING FEATURE



Spring latches lock hinged fixture housing into place for easy relamping. For detailed relamping instructions go to www.hewilliams.com.

LABELS

cCSAus certified as luminaire suitable for wet locations.

