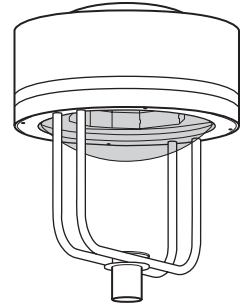


27" ROUND YOKE MOUNT AREA LIGHT WITH VERTICAL LAMP

OBSV27



SUBMITTAL:

JOB:

TYPE:

VOLTAGE:

EXAMPLE: **OBSV27** - **1000PSMH120** - **T3** - **DBR** - **OPTIONS**

SERIES

ELECTRICAL PACKAGE

DIST.

FINISH OPTIONS

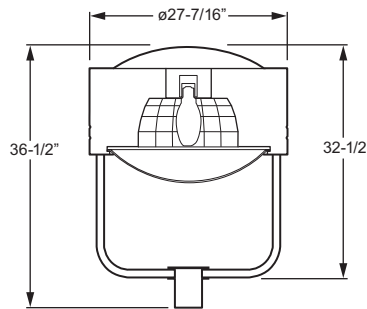
OPTIONS



This fixture is proudly made in the USA.

SERIES

- ▶ Yoke mount design for pole top mounting.
- ▶ Spring latches lock hinged fixture housing into place for easy relamping.
- ▶ Architecturally designed with a horizontal reveal.
- ▶ HID lamping up to 1000 watts.
- ▶ 90° rotatable reflector allows orientation to be easily altered on-site.
- ▶ Highly specular, multi-faceted aluminum reflector.



EPA: 2.72/Weight: 69 Lbs.

OBSV27 SERIES

HOUSING — One-piece spun aluminum housing, .100" wall thickness, with internal reinforcement and component bracketing.
DOOR — Cast aluminum hinged door fastened using stainless steel hardware.
LENS — Clear, .187" thick high-impact, heat-resistant tempered glass drop lens, secured with retaining clips, sealed with silicone.

ELECTRICAL PACKAGE (Must specify)

PULSE START METAL HALIDE

Lamp:	BT28	BT37	BT37
Socket:	E39 Mogul	E39 Mogul	E39 Mogul
ANSI Ballast Code:	M154	M155	M141
	320PSMH120	400PSMH120	1000PSMH120
	320PSMH208	400PSMH208	1000PSMH208
	320PSMH240	400PSMH240	1000PSMH240
	320PSMH277	400PSMH277	1000PSMH277
	320PSMH347	400PSMH347	1000PSMH347
	320PSMH480	400PSMH480	1000PSMH480

HIGH PRESSURE SODIUM

Lamp:	ET18	E25
Socket:	E39 Mogul	E39 Mogul
ANSI Ballast Code:	S51	S52
	400HPS120	1000HPS120
	400HPS208	1000HPS208
	400HPS240	1000HPS240
	400HPS277	1000HPS277
	400HPS347	1000HPS347
	400HPS480	1000HPS480

ELECTRICAL PACKAGE

PSMH — Rated -20°F minimum starting temperature.
HPS — Rated -40°F minimum starting temperature.

All PSMH and HPS electrical packages include porcelain socket. Core and coil ballast mounted on removable ballast tray. Prewired at factory to a disconnect plug for easy field installation. HX-HPF or CWA ballast type standard. Lamp is optional, please specify when ordering.



OBSV27

27" ROUND YOKE MOUNT AREA LIGHT WITH VERTICAL LAMP

REFLECTOR

Precisely formed highly specular, multi-faceted aluminum reflector secured with thumb screws. The reflector can be rotated in 90° increments allowing orientation to be altered on-site.

DISTRIBUTION (Must specify)



T2
Type II



T3
Type III



T5
Type V

FINISH OPTIONS

Super durable polyester powder coat meets and exceeds AAMA 2604 specifications for outdoor durability.

FINISH OPTIONS (Must specify)

BLK	Black (RAL #9004)
DBR	Dark bronze (Protech #PC21462)
GRAY	Standard gray (Protech #PC18367)
GRN	Green (RAL #6005)
SLV	Satin aluminum (RAL #9006)
WHT	White (RAL #9003)
RAL# _____	Specify custom color

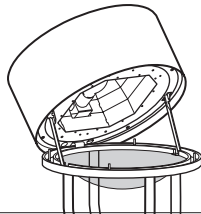
MOUNTING

Yoke mount consists of two parallel 1" O.D. aluminum tubes formed and welded to a cast aluminum door and slip fitter. Fits 3" O.D. x 3" tenon or pole top.

OPTIONS

SF	Single fuse (120V, 277V, or 347V only; must specify voltage)	DF	Double fuse (208V, 240V, or 480V only; must specify voltage)
-----------	--	-----------	--

RELAMPING FEATURE



Spring latches lock hinged fixture housing into place for easy relamping. For detailed relamping instructions go to www.hewilliams.com.

LABELS

cCSAus certified as luminaire suitable for wet locations.

