

CAGED POST TOP LUMINAIRE WITH ANGLED HOOD

OPH

SUBMITTAL:

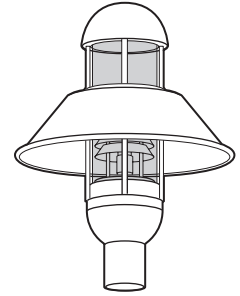
JOB:

TYPE:

VOLTAGE:

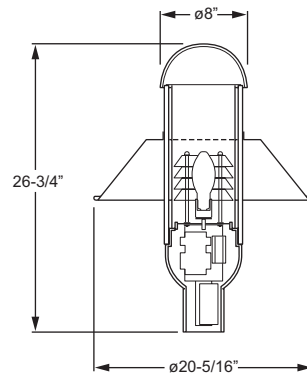
EXAMPLE: **OPH - 100PSMH120 - T5SR - DBR - OPTIONS**

SERIES ELECTRICAL PACKAGE PHOTO. DIST. FINISH OPTIONS OPTIONS



SERIES

OPH — A contemporary post top fixture, the OPH offers both up and down lighting. The extruded aluminum ribs create a cage-like appearance while providing added strength and durability to the fixture. Available in PSMH and HPS lamping, up to 100W, with Type V distribution, the OPH is ideal for parks, shopping centers, and walkways.



Total fixture EPA: 1.22/Weight: 20 Lbs.



OPH SERIES

HOUSING — Cast aluminum dome and lower ballast housing, .188" minimum wall thickness, connected with four extruded aluminum ribs.

LENS — One-piece U.V. stabilized clear acrylic cylinder, .125" minimum wall thickness. Fully gasketed for weathertight performance.

REFLECTOR — Spun aluminum stack reflector with a specular finish in Type V distribution.

HOOD — One-piece spun aluminum, .080" minimum wall thickness. Underside finish is highly-reflective white polyester powder coat.

ELECTRICAL PACKAGE (Must specify)

PULSE START METAL HALIDE

Lamp:	ED-17/E17	ED-17/E17	ED-17/E17
Socket:	E26 Medium	E26 Medium	E26 Medium
ANSI Ballast Code:	M110/M148	M98/M143	M90/M140
	50PSMH120	70PSMH120	100PSMH120
	50PSMH208	70PSMH208	100PSMH208
	50PSMH240	70PSMH240	100PSMH240
	50PSMH277	70PSMH277	100PSMH277
		70PSMH347	100PSMH347
			100PSMH480

HIGH PRESSURE SODIUM

Lamp:	E17	E17	E17
Socket:	E26 Medium	E26 Medium	E26 Medium
ANSI Ballast Code:	S68	S62	S54
	50HPS120	70HPS120	100HPS120
	50HPS208	70HPS208	100HPS208
	50HPS240	70HPS240	100HPS240
	50HPS277	70HPS277	100HPS277
		70HPS347	100HPS347
			100HPS480

ELECTRICAL PACKAGE

PSMH — Rated -20°F minimum starting temperature.

HPS — Rated -40°F minimum starting temperature.

All PSMH and HPS electrical packages include porcelain socket and integral ballast mounted on removable ballast tray. Prewired at factory to a disconnect plug for easy field installation. HX-HPF or CWA ballast type standard. Lamp is optional, please specify when ordering.

DISTRIBUTION

Spun aluminum stack reflector with a specular finish in Type V distribution.

PHOTOMETRIC DISTRIBUTION



T5SR Type V stack reflector

FINISH OPTIONS

Super durable polyester powder coat meets and exceeds AAMA 2604 specifications for outdoor durability.

FINISH OPTIONS (Must specify)

BLK	Black (RAL# 9004)	DBR	Dark bronze (Protech #PC21462)
GRAY	Standard gray (Protech #PC18367)	GRN	Green (RAL# 6005)
SLV	Satin aluminum (RAL# 9006)	WHT	White (RAL# 9003)
RAL#_ _ _ _	Specify custom color		

MOUNTING POINT

Post top mounting on 3" O.D. tenon or pole top. Secured with stainless steel set screws. See Williams' Poles or Pole Top Assemblies for details.

OPTIONS

SF	Single fuse (120V, 277V, or 347V only; must specify voltage)
DF	Double fuse (208V, 240V, or 480V only; must specify voltage)

LABELS

cCSAus certified as luminaire suitable for wet location.

