

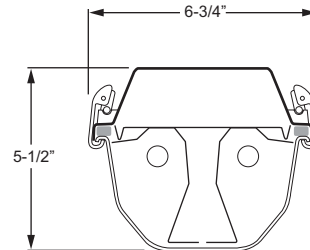
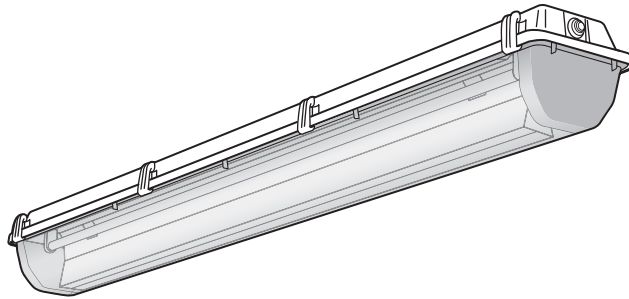
T5 ENCLOSED WIDE DISTRIBUTION

SERIES **97**
T5

JOB _____

TYPE _____

VOLTAGE _____



SPECIFICATIONS

- **Enclosure** – Outer housing consists of V5A (F1) fiberglass, rated for flame and weather resistance.
- **Shielding** – 100% impact-resistant, U.V. resistant, injection-molded clear acrylic diffuser, frosted ends.
- **Internal Housing** – 25-gauge die-formed C.R.S. with 92% minimum average reflective white polyester powder coat bonded to multi-stage, pretreated, zirconium oxide conversion coated metal.
- **Latching** – Injection-molded polycarbonate latches (8 latches, 4' unit; 14 latches, 8' unit).
- **Reflective Surfaces** – 95% reflective highly specular aluminum.
- **Electrical** – Electronic ballast standard, program start T5, rated Class P.
- **Labels/Certifications** – UL/CUL listed as fluorescent luminaire suitable for dry or damp locations; NSF/ANSI Standard 2–Splash Zone certified, IP65 and IP67 certified.
- **Mounting** – Surface or suspended.

FEATURES

- Fully gasketed fixture resists dust, bugs, and moisture.
- Polycarbonate toggle latches (standard) ensure a tight seal and easy access to electrical components.
- Optional stainless steel, tamper-resistant stainless steel, or tamper-resistant polycarbonate latches available.
- NSF/ANSI Standard 2–Splash Zone certified.
- IP65 and IP67 certified.
- UL listed as fluorescent fixture suitable for wet location* when ordered with factory-installed watertight hubs.
- Closed-cell polyurethane gasket poured and formed in place to ensure tight seal—does not absorb water or promote fungal growth.
- U.V. resistant, impact-resistant clear acrylic diffuser with frosted ends.
- All C.R.S. parts painted after fabrication to facilitate installation, increase efficiency, and inhibit corrosion.
- This fixture is proudly made in the USA.

* When specifying EM ballast option, enclosed and gasketed Emergency Lighting Packs are required for fixture to be suitable for wet location.

ORDERING INFORMATION

Submittal

EXAMPLE: SERIES **97** - NOM. L. **4** - TOTAL LAMPS **2** - WATTAGE/TYPE **54T5H** - SHIELDING **A** - OPTIONS/ACCESSORIES **OPTIONS** - BALLAST TYPE **EB2** - VOLTAGE **UNV**

SERIES	
97	T5 Enclosed Wide distribution
NOMINAL LENGTH	
4	4'
8	8'
TOTAL LAMPS	
2 or 4 (2-lamp cross-section)	
LAMP WATTAGE/TYPE	
28T5S	4', 28-watt T5 (2-lamp ballast only)
54T5H	4', 54-watt T5HO
SHIELDING	
A	100% impact-resistant clear acrylic diffuser with frosted ends

OPTIONS & ACCESSORIES	
WET/1	(1) 1/2" watertight hub, factory-installed in end of housing
WET/2	(2) 1/2" watertight hubs, factory-installed in ends of housing
SSMB	(2) Stainless steel ceiling mounting brackets
SSCMB	(2) Stainless steel chain mounting brackets
SS LATCH	Stainless steel latch
TP ¹	Tamper-resistant polycarbonate latches ¹
TP/SS LATCH ¹	Tamper-resistant stainless steel latches ¹

¹ This option requires a tamper-resistant tool (must be ordered separately). Please specify quantity required per project.

BALLAST TYPE			
EB2	2-lamp electronic ballast		
EB4	4-lamp electronic ballast		
EB2/2	(2) 2-lamp electronic ballasts		
See Information section for EM options.			
VOLTAGE			
120	120V	347	347V
277	277V	480	480V (T5HO only)
UNV	120-277V		



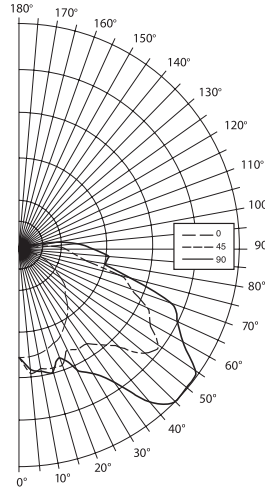
FLUORESCENT LIGHTING

Williams Catalog #97-4-254T5H-EB2-UNV
Test Report #15340.0, Dated 03/25/10

Lamp Type: FP54T5HO
Lamp Quantity: 2

CANDLEPOWER DISTRIBUTION

VERTICAL ANGLE	HORIZONTAL ANGLE			ZONAL LUMENS
	0	45	90	
0	1058.	1058.	1058.	
5	1060.	1229.	1192.	112.1
15	1022.	1206.	1252.	336.0
25	936.	1087.	1309.	530.2
35	804.	1126.	1581.	744.0
45	625.	1338.	2134.	1059.1
55	491.	1659.	2120.	1284.2
65	310.	1394.	1714.	1194.4
75	141.	1046.	1179.	913.2
85	47.	548.	870.	556.6
90	27.	455.	718.	
95	4.	342.	594.	344.8
105	0.	88.	223.	112.0
115	0.	61.	88.	48.9
125	0.	30.	73.	32.0
135	0.	18.	30.	11.2
145	0.	0.	28.	6.1
155	0.	0.	21.	1.2
165	0.	0.	0.	.0
175	0.	0.	0.	.0
180	0.	0.	0.	



LUMEN SUMMARY

ZONE	LUMENS	%LAMP	% FIXTURE
0 - 30	978.	9.8	13.4
0 - 40	1722.	17.2	23.6
0 - 60	4066.	40.7	55.8
0 - 90	6730.	67.3	92.4
90 - 120	506.	5.1	6.9
90 - 130	538.	5.4	7.4
90 - 150	555.	5.5	7.6
90 - 180	556.	5.6	7.6
0 - 180	7286.	72.9	100.0

ZONAL CAVITY COEFFICIENTS

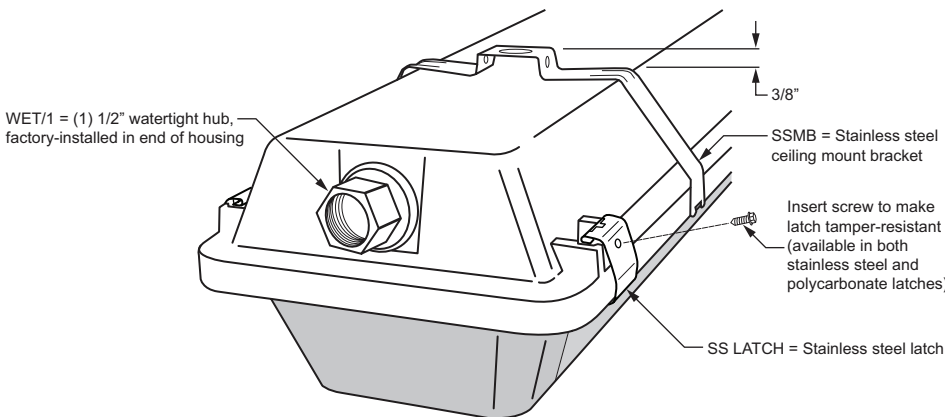
EFFECTIVE FLOOR CAVITY REFL. = .20

	.80			.70			.50		
	CEILING	WALL	RCR	.70	.50	.30	.50	.30	.10
0	.85	.85	.85	.83	.83	.83	.78	.78	.78
1	.76	.71	.67	.73	.69	.65	.65	.62	.59
2	.67	.60	.54	.65	.58	.53	.55	.50	.46
3	.61	.52	.45	.58	.50	.44	.47	.42	.37
4	.55	.45	.38	.53	.44	.37	.41	.35	.30
5	.49	.39	.31	.47	.38	.31	.35	.29	.25
6	.45	.34	.27	.43	.33	.26	.31	.25	.20
7	.41	.30	.23	.39	.29	.22	.27	.22	.17
8	.38	.27	.20	.36	.26	.19	.24	.19	.14
9	.35	.24	.17	.33	.23	.17	.22	.16	.12
10	.32	.22	.15	.31	.21	.15	.20	.14	.11

TOTAL LUMINAIRE OPTICAL EFFICIENCY = 72.9%

SPACING CRITERIA: END=1.2 DIAG=1.8 ACROSS=2.5

OPTION DETAILS



NOMINAL LENGTH	OVERALL FIXTURE LENGTH
4'	51-7/8"
8'	100-1/4"



H. E. WILLIAMS, INC.