

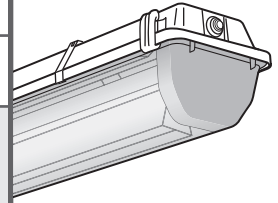
SUBMITTAL:

T5 | T8

JOB:

TYPE:

VOLTAGE:



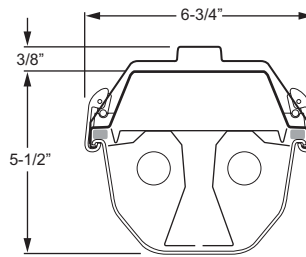
EXAMPLE → **97 - 4 - 2 32 - A - OPTIONS - EB2 - UNV**

SERIES NOMINAL LENGTH TOTAL WATTAGE/ LAMPS SHIELDING OPTIONS/ ACCESSORIES BALLAST TYPE VOLTAGE



FEATURES

- ▶ Fully gasketed fixture resists dust, bugs, and moisture.
- ▶ Polycarbonate toggle latches (standard) ensure a tight seal and easy access to electrical components.
- ▶ Optional stainless steel, tamper-resistant stainless steel, or tamper-resistant polycarbonate latches available.
- ▶ NSF/ANSI Standard 2–Splash Zone certified.
- ▶ IP65 and IP67¹ certified.
- ▶ UL listed as fluorescent fixture suitable for wet locations² when ordered with factory-installed watertight hubs, STOW cord, or mini-male receptacle option.
- ▶ Can operate up to 40°C/104°F with high-ambient (HA/40C) option.³
- ▶ Closed-cell polyurethane gasket poured and formed in place to ensure tight seal—does not absorb water or promote fungal growth.
- ▶ This fixture is proudly made in the USA.



SPECIFICATIONS

Enclosure – Outer housing consists of 5VA (f1) fiberglass, rated for flame and weather resistance.

Internal Housing – 25-gauge die-formed C.R.S.

Latching – Injection-molded polycarbonate latches.

Reflector – 95% reflective highly specular aluminum.

Shielding – Clear, 100% acrylic, impact-resistant, UV resistant, injection-molded diffuser with frosted ends.

Electrical – Electronic ballast standard, instant start T8, program start T5, rated Class P.

Mounting – Surface or suspended. Stainless steel ceiling mounting bracket standard.

Labels & Certifications – UL/CUL listed as fluorescent luminaire suitable for dry or damp locations. UL/CUL listed as suitable for wet locations when specified with watertight hub, STOW cord, or mini-male receptacle option.² NSF/ANSI Standard 2–Splash Zone certified, IP65 and IP67¹ certified.

ORDERING INFORMATION

SERIES	97 Fully Enclosed Wide Distribution Industrial
NOMINAL LENGTH	4 4' 8 8'
TOTAL LAMPS	2 or 4 (2-lamp cross-section)
LAMP WATTAGE/TYPE	28T5S 4', 28-watt T5 (2-lamp ballast only) 32 4', 32-watt T8 54T5H 4', 54-watt T5HO 59 8', 59-watt T8
SHIELDING	A Clear, 100% acrylic, impact-resistant diffuser with frosted ends (standard) FR Frosted, 100% acrylic, impact-resistant diffuser
OPTIONS/ACCESSORIES	For generic EM ballast options (must specify voltage), see Fluorescent Information section. ² 3WC6 3-wire, 6' STOW cord 3WC20 3-wire, 20' STOW cord 4WC6 4-wire, 6' STOW cord 4WC20 4-wire, 20' STOW cord 3WMR 3-wire mini-male receptacle only 3WMRC6 3-wire mini-male receptacle with 6' STOW cord 3WMRC20 3-wire mini-male receptacle with 20' STOW cord 4WMR 4-wire mini-male receptacle only 4WMRC6 4-wire mini-male receptacle with 6' STOW cord 4WMRC20 4-wire mini-male receptacle with 20' STOW cord

OPTIONS/ACCESSORIES (Continued)	
WET/1	(1) 1/2" watertight hub (factory-installed in end of housing)
WET/2	(2) 1/2" watertight hubs (factory-installed in ends of housing)
SSCMB	Stainless steel chain mounting brackets (2 per fixture)
OCC ___ ¹	Occupancy sensor must be specified from the following (specify voltage): • OCCWS HB350W-L3W/120 • OCCWS HB350W-L3W/277 • OCCWS HB350W-L4W/120 • OCCWS HB350W-L4W/277
HA/40C ³	High-ambient, 40°C max. operating temp. ³
GMF ⁴	Fuse, slow blow (specify voltage) ⁴
GLR ⁴	Fuse, fast blow (specify voltage) ⁴
TP ⁵	Tamper-resistant polycarbonate latches ⁵
SS LATCH	Stainless steel latches
TP/SS LATCH ⁵	Tamper-resistant stainless steel latches ⁵
BALLAST TYPE	
EB2	2-lamp electronic ballast
EB4	4-lamp electronic ballast
EB2/2	(2) 2-lamp electronic ballasts
VOLTAGE	
120	120V
277	277V
UNV	120-277V
347	347V
480	480V (T5HO only)

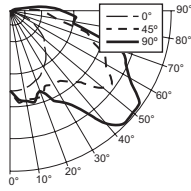
¹ IP67 not available with OCC ___ option.
² When specifying EM option, EM ballast for enclosed and gasketed fixtures is required for fixture to be suitable for wet locations.
³ Amalgam lamps recommended. HA/40C option not available with EM ballast.
⁴ Two (2) fuses required when specifying 208V or 240V.
⁵ This option requires a tamper-resistant tool (must be ordered separately). Please specify quantity required per project.

PHOTOMETRY – T5

Catalog #: 97-4-254T5H-A-EB2

TEST REPORT INFORMATION

- ▶ Test Report #: 15340.0
- ▶ Date: 03/25/10
- ▶ Lamp Type: FP54T5HO
- ▶ Lamp Quantity: 2



LUMEN SUMMARY

Zone	Lumens	% Lamp	% Fixture
0 - 30	978.	9.8	13.4
0 - 40	1722.	17.2	23.6
0 - 60	4066.	40.7	55.8
0 - 90	6730.	67.3	92.4
90 - 120	506.	5.1	6.9
90 - 130	538.	5.4	7.4
90 - 150	555.	5.5	7.6
90 - 180	556.	5.6	7.6
Total Luminaire:			
0 - 180	7286.	72.9	100.0

Total Luminaire Optical Efficiency: **72.9%**
IES Spacing Criteria: End = 1.2, Diagonal = 1.8, Across = 2.5

CANDLEPOWER DISTRIBUTION

Vertical Angle	Horizontal Angle			Zonal Lumens
	0°	45°	90°	
0	1058.	1058.	1058.	
5	1060.	1229.	1192.	112.1
15	1022.	1206.	1252.	336.0
25	936.	1087.	1309.	530.2
35	804.	1126.	1581.	744.0
45	625.	1338.	2134.	1059.1
55	491.	1659.	2120.	1284.2
65	310.	1394.	1714.	1194.4
75	141.	1046.	1179.	913.2
85	47.	548.	870.	556.6
90	27.	455.	718.	

ZONAL CAVITY COEFFICIENTS

Room Cavity Ratio	Ceiling			Wall			Floor		
	.80	.70	.50	.80	.70	.50	.80	.70	.50
0	.85	.85	.85	.83	.83	.83	.78	.78	.78
1	.76	.71	.67	.73	.69	.65	.65	.62	.59
2	.67	.60	.54	.65	.58	.53	.55	.50	.46
3	.61	.52	.45	.58	.50	.44	.47	.42	.37
4	.55	.45	.38	.53	.44	.37	.41	.35	.30
5	.49	.39	.31	.47	.38	.31	.35	.29	.25
6	.45	.34	.27	.43	.33	.26	.31	.25	.20
7	.41	.30	.23	.39	.29	.22	.27	.22	.17
8	.38	.27	.20	.36	.26	.19	.24	.19	.14
9	.35	.24	.17	.33	.23	.17	.22	.16	.12
10	.32	.22	.15	.31	.21	.15	.20	.14	.11

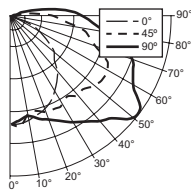
Effective Floor Cavity Reflectance = .20

PHOTOMETRY – T8

Catalog #: 97-4-232-A-EB2

TEST REPORT INFORMATION

- ▶ Test Report #: 15341.0
- ▶ Date: 03/24/10
- ▶ Lamp Type: F32
- ▶ Lamp Quantity: 2



LUMEN SUMMARY

Zone	Lumens	% Lamp	% Fixture
0 - 30	648.	11.0	14.0
0 - 40	1127.	19.1	24.4
0 - 60	2446.	41.5	53.0
0 - 90	4163.	70.6	90.3
90 - 120	422.	7.1	9.1
90 - 130	437.	7.4	9.5
90 - 150	447.	7.6	9.7
90 - 180	449.	7.6	9.7
Total Luminaire:			
0 - 180	4612.	78.2	100.0

Total Luminaire Optical Efficiency: **78.2%**
IES Spacing Criteria: End = 1.2, Diagonal = 1.4, Across = 1.9

CANDLEPOWER DISTRIBUTION

Vertical Angle	Horizontal Angle			Zonal Lumens
	0°	45°	90°	
0	813.	813.	813.	
5	810.	835.	784.	77.6
15	763.	734.	797.	214.4
25	706.	766.	869.	355.8
35	598.	735.	965.	478.9
45	461.	775.	1086.	593.7
55	358.	840.	1202.	725.8
65	220.	804.	1023.	698.9
75	96.	621.	882.	604.9
85	29.	412.	629.	413.0
90	16.	345.	559.	

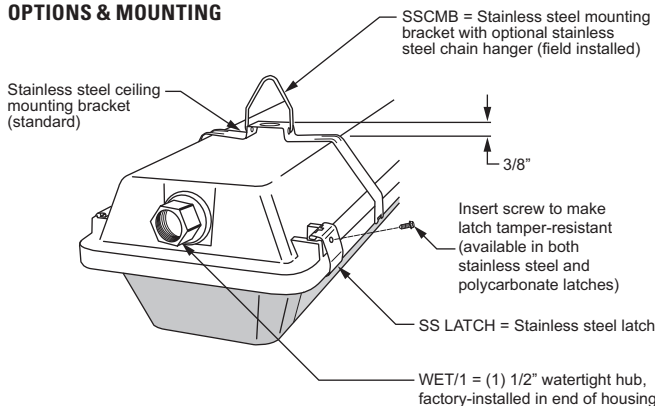
ZONAL CAVITY COEFFICIENTS

Room Cavity Ratio	Ceiling			Wall			Floor		
	.80	.70	.50	.80	.70	.50	.80	.70	.50
0	.91	.91	.91	.88	.88	.88	.83	.83	.83
1	.81	.76	.71	.77	.73	.69	.68	.65	.62
2	.72	.64	.57	.69	.62	.56	.57	.52	.48
3	.65	.55	.47	.62	.53	.46	.50	.44	.39
4	.58	.48	.40	.56	.46	.39	.43	.37	.32
5	.53	.41	.33	.50	.40	.33	.37	.31	.26
6	.48	.37	.29	.46	.35	.28	.33	.27	.22
7	.44	.32	.25	.42	.31	.24	.29	.23	.19
8	.41	.29	.22	.39	.28	.21	.26	.20	.16
9	.37	.26	.19	.36	.25	.18	.24	.18	.13
10	.35	.23	.17	.33	.23	.16	.21	.16	.12

Effective Floor Cavity Reflectance = .20

FIXTURE DETAILS

OPTIONS & MOUNTING



Nominal Length	Overall Length
4'	51-7/8"
8'	100-1/4"