

HIGH EFFICIENCY TROFFER – AIR RETURN

HET

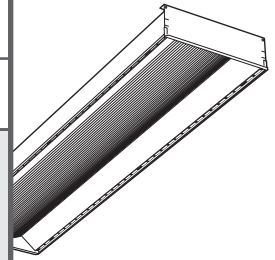
SUBMITTAL:

1' WIDE T8

JOB:

TYPE:

VOLTAGE:



EXAMPLE

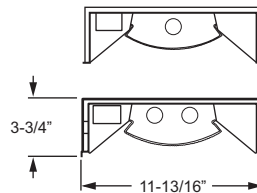
HET G - AR 1 4 - 1 32 - A - OPTIONS - EB1 - UNV

SERIES CEILING TYPE FIXTURE STYLE NOM. W. NOM. L. TOTAL WATTAGE/LAMPS SHIELDING OPTIONS BALLAST TYPE VOLTAGE



FEATURES

- ▶ Black reveal minimizes appearance of dirt and dust resulting from air return function.
- ▶ Air return capability reduces number of unsightly ceiling vents for a cleaner appearance.
- ▶ Frosted acrylic diffuser combined with highly reflective matte white paint provides high optical efficiencies without sacrificing visual comfort.
- ▶ One-piece diffuser eliminates the need for separate overlays.
- ▶ Attractive, energy efficient architectural fixture delivers comfortable, uniform lighting.
- ▶ Shallow fixture depth allows for use in limited plenum applications.
- ▶ Optional anti-microbial powder coating available to prevent the spread of dangerous micro-organisms and suppress the growth of mold and bacteria.
- ▶ Tool-less access to electrical from room side of fixture.
- ▶ Integral T-bar clips quickly secure fixture to structure.
- ▶ This fixture is proudly made in the USA.



SPECIFICATIONS

Housing – 22-gauge die-formed C.R.S.

Shielding – Ribbed acrylic diffuser.

Finish – Highly reflective non-glare matte white polyester powder coat bonded to phosphate-free, multi-stage pretreated metal. All parts painted after fabrication to facilitate installation, increase efficiency, and inhibit corrosion.

Electrical – Electronic ballast standard, instant start T8, rated Class P.

Mounting – NEMA Type "G".

Labels – UL/CUL listed as recessed fluorescent luminaire suitable for dry or damp locations.

ORDERING INFORMATION

SERIES

HET High Efficiency Troffer–Air Return

CEILING TYPE

G NEMA Type "G"

FIXTURE STYLE

AR Air return only (through side slots)

NOMINAL WIDTH

1 1'

NOMINAL LENGTH

2 2'
4 4'

TOTAL LAMPS

1 or 2

LAMP WATTAGE/TYPE

2' LAMP OPTIONS

17 2', 17-watt T8

4' LAMP OPTIONS

32 4', 32-watt T8

SHIELDING

A Acrylic lens

OPTIONS

For generic EM ballast options (must specify voltage), see Fluorescent Information section.

AMW Anti-microbial white finish

EQCLIPS Earthquake clips (4 per fixture)

BALLAST TYPE

EB1 1-lamp electronic ballast

EBSD1*S50 1-lamp electronic ballast, step-dimming to 50% power

EB2 2-lamp electronic ballast

EBSD2*S50 2-lamp electronic ballast, step-dimming to 50% power

VOLTAGE

120 120V

277 277V

UNV 120-277V

347 347V



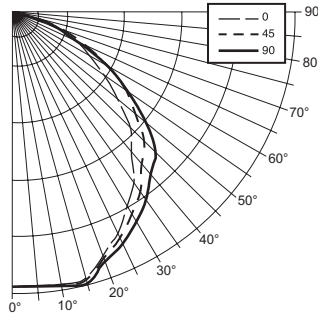
1' Wide T8

Catalog #: HETG-AR14-132-A

PHOTOMETRY INFORMATION

TEST REPORT INFORMATION

- ▶ Test Report #: 15487.0
- ▶ Date: 09/27/06
- ▶ Lamp Type: F32
- ▶ Lamp Quantity: 1



CANDLEPOWER DISTRIBUTION

Vertical Angle	Horizontal Angle			Zonal Lumens
	0°	45°	90°	
0°	990.	990.	990.	
5°	993.	993.	993.	94.8
15°	1000.	1005.	1015.	285.3
25°	884.	905.	925.	418.7
35°	758.	800.	835.	501.1
45°	600.	670.	730.	517.3
55°	407.	497.	519.	429.3
65°	247.	304.	266.	277.8
75°	117.	119.	84.	118.1
85°	23.	9.	7.	13.9
90°	0.	0.	0.	

ZONAL CAVITY COEFFICIENTS

	Ceiling	.80			.70			.50		
	Wall	.70	.50	.30	.70	.50	.30	.50	.30	.10
Room Cavity Ratio	0	1.07	1.07	1.07	1.05	1.05	1.05	1.0	1.0	1.0
	1	1.0	.96	.93	.97	.94	.91	.90	.88	.85
	2	.92	.85	.80	.90	.84	.79	.81	.76	.73
	3	.85	.76	.70	.82	.75	.69	.72	.67	.63
	4	.78	.68	.61	.76	.67	.60	.65	.59	.54
	5	.71	.60	.53	.69	.59	.52	.58	.51	.46
	6	.66	.54	.47	.64	.53	.46	.52	.45	.41
	7	.60	.49	.41	.59	.48	.41	.47	.40	.35
	8	.56	.44	.36	.54	.43	.36	.42	.35	.31
	9	.51	.39	.32	.50	.39	.32	.38	.31	.27
	10	.47	.36	.28	.46	.35	.28	.34	.28	.24

Effective Floor Cavity Reflectance = .20

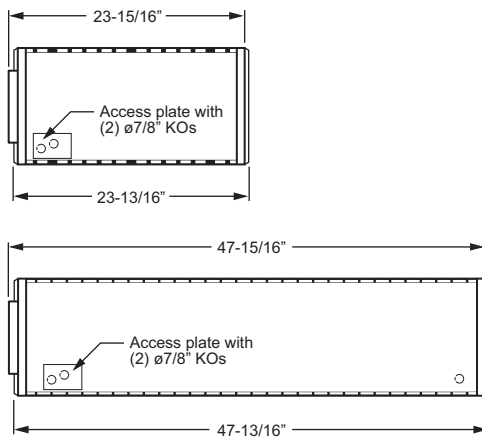
LUMEN SUMMARY

Zone	Lumens	% Lamp	% Fixture
0 - 30	799.	27.1	30.1
0 - 40	1300.	44.1	48.9
0 - 60	2246.	76.2	84.6
0 - 90	2656.	90.0	100.0
Total Luminaire:			
0 - 180	2656.	90.0	100.0

Total Luminaire Optical Efficiency: **90.0%**
 IES Spacing Criteria: End = 1.2
 Diagonal = 1.3
 Across = 1.3

FIXTURE DETAILS

BACKVIEW



AIR RETURN

